



SLOVENSKI STANDARD
SIST EN 2656:2002
01-januar-2002

Aerospace series - Pipe coupling - Coupling end, welded - Geometric configuration

Aerospace series - Pipe coupling - Coupling end, welded - Geometric configuration

Luft- und Raumfahrt - Rohrverschraubung - Anschweißzapfen - Konstruktionsblatt

Série aérospatiale - Systeme de raccordement - Raccord d'extrémité a souder - Configuration géométrique

STANDARD PREVIEW
(standards.iteh.ai)

Ta slovenski standard je istoveten z: **EN 2656:2001**
<https://standards.iteh.ai/catalog/standards/sist/d0861cc9-f047-4c9d-b205-2b0997a9e352/sist-en-2656-2002>

ICS:

49.080 Štejni sistemi za tekočine in pline v letalstvu
 Aerospace fluid systems and components

SIST EN 2656:2002 en

iTeh STANDARD PREVIEW
(standards.iteh.ai)

SIST EN 2656:2002

<https://standards.iteh.ai/catalog/standards/sist/d0861ce9-f047-4c9d-b205-2b0997a9e352/sist-en-2656-2002>

EUROPEAN STANDARD
NORME EUROPÉENNE
EUROPÄISCHE NORM

EN 2656

September 2001

ICS 49.080

English version

Aerospace series - Pipe coupling - Coupling end, welded - Geometric configuration

Série aérospatiale - Système de raccordement - Raccord
d'extrémité à souder - Configuration géométrique

Luft- und Raumfahrt - Rohrverschraubung -
Anschweißzapfen - Konstruktionsblatt

This European Standard was approved by CEN on 20 January 2001.

CEN members are bound to comply with the CEN/CENELEC Internal Regulations which stipulate the conditions for giving this European Standard the status of a national standard without any alteration. Up-to-date lists and bibliographical references concerning such national standards may be obtained on application to the Management Centre or to any CEN member.

This European Standard exists in three official versions (English, French, German). A version in any other language made by translation under the responsibility of a CEN member into its own language and notified to the Management Centre has the same status as the official versions.

CEN members are the national standards bodies of Austria, Belgium, Czech Republic, Denmark, Finland, France, Germany, Greece, Iceland, Ireland, Italy, Luxembourg, Netherlands, Norway, Portugal, Spain, Sweden, Switzerland and United Kingdom.

SIST EN 2656:2002

<https://standards.iteh.ai/catalog/standards/sist/d0861ce9-f047-4c9d-b205-2b0997a9e352/sist-en-2656-2002>



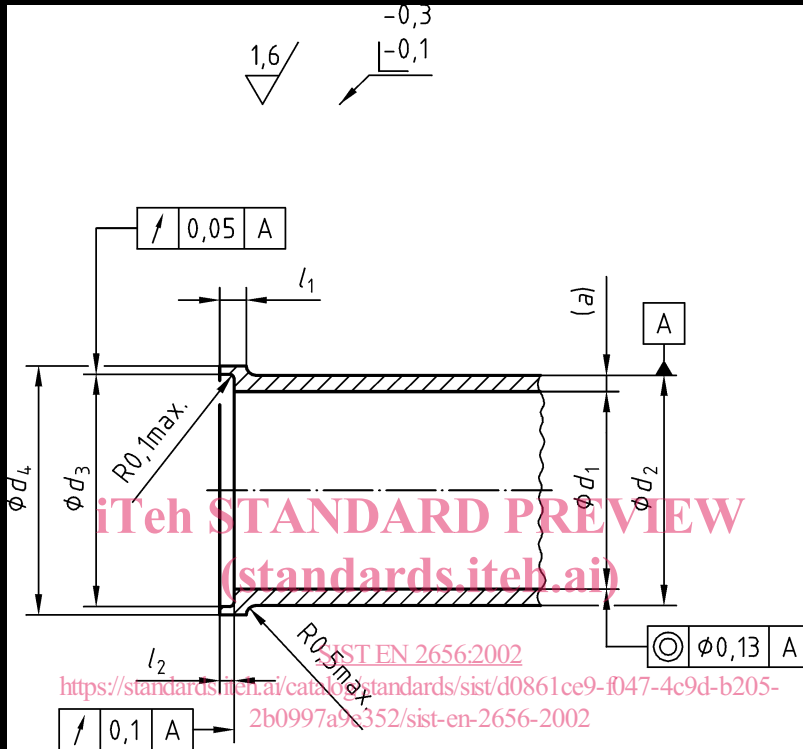
EUROPEAN COMMITTEE FOR STANDARDIZATION
COMITÉ EUROPÉEN DE NORMALISATION
EUROPÄISCHES KOMITEE FÜR NORMUNG

Management Centre: rue de Stassart, 36 B-1050 Brussels

iTeh STANDARD PREVIEW
(standards.iteh.ai)

SIST EN 2656:2002

<https://standards.iteh.ai/catalog/standards/sist/d0861ce9-f047-4c9d-b205-2b0997a9e352/sist-en-2656-2002>



iTeh STANDARD PREVIEW
(standards.iteh.ai)

SIST EN 2656:2002

<https://standards.iteh.ai/catalog/standards/sist/d0861ce9-f047-4c9d-b205-2b0997a9e352/sist-en-2656-2002>

EN2656-1805

Number of this standard

Code (see table 1)