

INTERNATIONAL STANDARD

NORME INTERNATIONALE

Method of sampling insulating liquids

Méthode d'échantillonnage des liquides isolants

IEC 60475:2011
<https://standards.iteh.ai/catalog/standards/sist/55db517a-b9e2-46dd-a28a-ac2172b4414d/iec-60475-2011>

STANDARD PREVIEW
(standards.iteh.ai)



THIS PUBLICATION IS COPYRIGHT PROTECTED

Copyright © 2011 IEC, Geneva, Switzerland

All rights reserved. Unless otherwise specified, no part of this publication may be reproduced or utilized in any form or by any means, electronic or mechanical, including photocopying and microfilm, without permission in writing from either IEC or IEC's member National Committee in the country of the requester.

If you have any questions about IEC copyright or have an enquiry about obtaining additional rights to this publication, please contact the address below or your local IEC member National Committee for further information.

Droits de reproduction réservés. Sauf indication contraire, aucune partie de cette publication ne peut être reproduite ni utilisée sous quelque forme que ce soit et par aucun procédé, électronique ou mécanique, y compris la photocopie et les microfilms, sans l'accord écrit de la CEI ou du Comité national de la CEI du pays du demandeur.

Si vous avez des questions sur le copyright de la CEI ou si vous désirez obtenir des droits supplémentaires sur cette publication, utilisez les coordonnées ci-après ou contactez le Comité national de la CEI de votre pays de résidence.

IEC Central Office
3, rue de Varembe
CH-1211 Geneva 20
Switzerland
Email: inmail@iec.ch
Web: www.iec.ch

About the IEC

The International Electrotechnical Commission (IEC) is the leading global organization that prepares and publishes International Standards for all electrical, electronic and related technologies.

About IEC publications

The technical content of IEC publications is kept under constant review by the IEC. Please make sure that you have the latest edition, a corrigenda or an amendment might have been published.

- Catalogue of IEC publications: www.iec.ch/searchpub

The IEC on-line Catalogue enables you to search by a variety of criteria (reference number, text, technical committee,...). It also gives information on projects, withdrawn and replaced publications.

- IEC Just Published: www.iec.ch/online_news/justpub

Stay up to date on all new IEC publications. Just Published details twice a month all new publications released. Available on-line and also by email.

[IEC 60475:2011](#)

- Electropedia: www.electropedia.org

The world's leading online dictionary of electronic and electrical terms containing more than 20 000 terms and definitions in English and French, with equivalent terms in additional languages. Also known as the International Electrotechnical Vocabulary online.

- Customer Service Centre: www.iec.ch/webstore/custserv

If you wish to give us your feedback on this publication or need further assistance, please visit the Customer Service Centre FAQ or contact us:

Email: csc@iec.ch

Tel.: +41 22 919 02 11

Fax: +41 22 919 03 00

A propos de la CEI

La Commission Electrotechnique Internationale (CEI) est la première organisation mondiale qui élabore et publie des normes internationales pour tout ce qui a trait à l'électricité, à l'électronique et aux technologies apparentées.

A propos des publications CEI

Le contenu technique des publications de la CEI est constamment revu. Veuillez vous assurer que vous possédez l'édition la plus récente, un corrigendum ou amendement peut avoir été publié.

- Catalogue des publications de la CEI: www.iec.ch/searchpub/cur_fut-f.htm

Le Catalogue en-ligne de la CEI vous permet d'effectuer des recherches en utilisant différents critères (numéro de référence, texte, comité d'études,...). Il donne aussi des informations sur les projets et les publications retirées ou remplacées.

- Just Published CEI: www.iec.ch/online_news/justpub

Restez informé sur les nouvelles publications de la CEI. Just Published détaille deux fois par mois les nouvelles publications parues. Disponible en-ligne et aussi par email.

- Electropedia: www.electropedia.org

Le premier dictionnaire en ligne au monde de termes électroniques et électriques. Il contient plus de 20 000 termes et définitions en anglais et en français, ainsi que les termes équivalents dans les langues additionnelles. Egalement appelé Vocabulaire Electrotechnique International en ligne.

- Service Clients: www.iec.ch/webstore/custserv/custserv_entry-f.htm

Si vous désirez nous donner des commentaires sur cette publication ou si vous avez des questions, visitez le FAQ du Service clients ou contactez-nous:

Email: csc@iec.ch

Tél.: +41 22 919 02 11

Fax: +41 22 919 03 00



IEC 60475

Edition 2.0 2011-10

INTERNATIONAL STANDARD

NORME INTERNATIONALE

Method of sampling insulating liquids

Méthode d'échantillonnage des liquides isolants

STANDARD PREVIEW
(standards.iteh.ai)
IEC 60475:2011
<https://standards.iteh.ai/catalog/standards/sist/55db517a-b9e2-46dd-a28a-ac2172b4414d/iec-60475-2011>

INTERNATIONAL
ELECTROTECHNICAL
COMMISSION

COMMISSION
ELECTROTECHNIQUE
INTERNATIONALE

PRICE CODE
CODE PRIX

U

ICS 29.040

ISBN 978-2-88912-767-2

CONTENTS

FOREWORD.....	3
INTRODUCTION.....	5
1 Scope.....	6
2 Normative references.....	6
3 Terms and definitions.....	6
4 General principles for the sampling of insulating liquids.....	7
4.1 New insulating liquids in delivery containers.....	7
4.1.1 Place of sampling.....	7
4.1.2 Quantity of sample to be taken.....	7
4.1.3 Sampling equipment.....	7
4.1.4 Sampling procedure.....	11
4.2 Sampling of oil from oil-filled equipment.....	13
4.2.1 General remarks.....	13
4.2.2 Sampling of oil by syringe.....	19
4.2.3 Sampling of oil by ampoule.....	20
4.2.4 Sampling of oil by flexible metal bottles.....	21
4.2.5 Sampling of oil by glass and rigid metal bottles.....	22
4.2.6 Sampling of oil by plastic bottles.....	23
4.3 Storage and transportation of samples.....	23
4.4 Labelling of samples.....	23
Annex A (informative) Procedure for sampling at intermediate levels (making up of the average sample).....	25
Annex B (informative) Procedure for testing the integrity of the syringes.....	26
Figure 1 – Thief dipper.....	8
Figure 2 – Cream dipper.....	9
Figure 3 – Pipette.....	10
Figure 4 – Siphon.....	10
Figure 5 – Sampling of oil by syringe.....	15
Figure 6 – Sampling of oil by ampoule.....	16
Figure 7 – Sampling of oil by bottle.....	17
Table 1 – Types of samples of new insulating liquids.....	11
Table 2 – Sample containers for oil tests (Y = Yes).....	18
Table 3 – Information required on oil sample labels.....	24

PRE-STANDARD PREVIEW

(standards.iteh.ai)

IEC 60475:2011

<https://standards.iteh.ai/catalog/standards/sist/55db517a-b9e2-46dd-a28a-ac2172b4414d/iec-60475-2011>

INTERNATIONAL ELECTROTECHNICAL COMMISSION

METHOD OF SAMPLING INSULATING LIQUIDS

FOREWORD

- 1) The International Electrotechnical Commission (IEC) is a worldwide organization for standardization comprising all national electrotechnical committees (IEC National Committees). The object of IEC is to promote international co-operation on all questions concerning standardization in the electrical and electronic fields. To this end and in addition to other activities, IEC publishes International Standards, Technical Specifications, Technical Reports, Publicly Available Specifications (PAS) and Guides (hereafter referred to as "IEC Publication(s)"). Their preparation is entrusted to technical committees; any IEC National Committee interested in the subject dealt with may participate in this preparatory work. International, governmental and non-governmental organizations liaising with the IEC also participate in this preparation. IEC collaborates closely with the International Organization for Standardization (ISO) in accordance with conditions determined by agreement between the two organizations.
- 2) The formal decisions or agreements of IEC on technical matters express, as nearly as possible, an international consensus of opinion on the relevant subjects since each technical committee has representation from all interested IEC National Committees.
- 3) IEC Publications have the form of recommendations for international use and are accepted by IEC National Committees in that sense. While all reasonable efforts are made to ensure that the technical content of IEC Publications is accurate, IEC cannot be held responsible for the way in which they are used or for any misinterpretation by any end user.
- 4) In order to promote international uniformity, IEC National Committees undertake to apply IEC Publications transparently to the maximum extent possible in their national and regional publications. Any divergence between any IEC Publication and the corresponding national or regional publication shall be clearly indicated in the latter.
- 5) IEC itself does not provide any attestation of conformity. Independent certification bodies provide conformity assessment services and, in some areas, access to IEC marks of conformity. IEC is not responsible for any services carried out by independent certification bodies.
- 6) All users should ensure that they have the latest edition of this publication.
- 7) No liability shall attach to IEC or its directors, employees, servants or agents including individual experts and members of its technical committees and IEC National Committees for any personal injury, property damage or other damage of any nature whatsoever, whether direct or indirect, or for costs (including legal fees) and expenses arising out of the publication, use of, or reliance upon, this IEC Publication or any other IEC Publications.
- 8) Attention is drawn to the Normative references cited in this publication. Use of the referenced publications is indispensable for the correct application of this publication.
- 9) Attention is drawn to the possibility that some of the elements of this IEC Publication may be the subject of patent rights. IEC shall not be held responsible for identifying any or all such patent rights.

International Standard IEC 60475 has been prepared by IEC technical committee 10: Fluids for electrotechnical applications.

This second edition cancels and replaces the first edition, published in 1974, and constitutes a technical revision.

The main changes with respect to the previous edition are listed below:

- since the publication of the first edition of this standard, askarels have been banned and therefore have been withdrawn from this second edition;
- recommendations concerning general health, safety and environmental protection have been added as an Introduction;
- the first edition was mainly about sampling from drums and tank cars. This second edition addresses in more detail the sampling of oil from electrical equipment, using various types of sampling devices appropriate for the different types of oil tests to be performed in the laboratory, including dissolved gas analysis (DGA).

The text of this standard is based on the following documents:

FDIS	Report on voting
10/848/FDIS	10/871/RVD

Full information on the voting for the approval of this standard can be found in the report on voting indicated in the above table.

This publication has been drafted in accordance with the ISO/IEC Directives, Part 2.

The committee has decided that the contents of this publication will remain unchanged until the stability date indicated on the IEC web site under "<http://webstore.iec.ch>" in the data related to the specific publication. At this date, the publication will be

- reconfirmed,
- withdrawn,
- replaced by a revised edition, or
- amended.

iTeh STANDARD PREVIEW (standards.iteh.ai)

[IEC 60475:2011](#)

<https://standards.iteh.ai/catalog/standards/sist/55db517a-b9e2-46dd-a28a-ac2172b4414d/iec-60475-2011>

INTRODUCTION

General caution, health, safety and environmental protection

This International Standard does not purport to address all the safety problems associated with its use. It is the responsibility of the user of the standard to establish appropriate health and safety practices and determine the applicability of regulatory limitations prior to use.

The insulating oils which are the subject of this standard should be handled with due regard to personal hygiene. Direct contact with the eyes may cause irritation. In the case of eye contact, irrigation with copious quantities of clean running water should be carried out and medical advice sought. Some of the tests specified in this standard involve the use of processes that could lead to a hazardous situation. Attention is drawn to the relevant standard for guidance.

Environment

This standard is applicable to mineral oils and non-mineral oils, chemicals and used sample containers.

Attention is drawn to the fact that, some mineral oils in service may still be contaminated to some degree by PCBs. If this is the case, safety countermeasures should be taken to avoid risks to workers, the public and the environment during the life of the equipment, by strictly controlling spills and emissions. Disposal or decontamination of these oils should be carried out strictly according to local regulations. Every precaution should be taken to prevent release of mineral oil and non-mineral oil into the environment.

ITEH STANDARD PREVIEW
(standards.iteh.ai)
IEC 60475:2011
<https://standards.iteh.ai/catalog/standards/sist/55db517a-b9e2-46dd-a28a-ac2172b4414d/iec-60475-2011>

METHOD OF SAMPLING INSULATING LIQUIDS

1 Scope

This International Standard is applicable to the procedure to be used for insulating liquids in delivery containers and in electrical equipment such as power and instrument transformers, reactors, bushings, oil-filled cables, oil-filled tank-type capacitors, switchgear and load tap changers (LTCs).

This standard applies to liquids the viscosity of which at the sampling temperature is less than 1 500 mm²/s (or cSt). It applies to mineral oils and non-mineral oils (such as synthetic esters, natural esters, vegetable oils or silicones).

2 Normative references

The following documents, in whole or in part, are normatively referenced in this document and are indispensable for its application. For dated references, only the edition cited applies. For undated references, the latest edition of the referenced document (including any amendments) applies.

IEC 60567:2011, *Oil-filled electrical equipment – Sampling of gases and analysis of free and dissolved gases – Guidance* (standards.iteh.ai)

IEC 60970, *Insulating liquids – Methods for counting and sizing particles*

<https://standards.iteh.ai/catalog/standards/sist/55db517a-b9e2-46dd-a28a-ac2172b4414d/iec-60475-2011>

3 Terms and definitions

For the purposes of this document, the following terms and definitions apply.

3.1

delivery containers

containers such as drums, rail tankers, road tankers or flexible plastic bags used to store, transport and deliver batches of oil

3.2

electrical equipment

equipment filled with insulating oil such as power and instrument transformers, reactors, bushings, oil-filled cables, oil-filled tank-type capacitors, switchgear and load tap changers (LTCs)

3.3

sampling equipment

equipment used for sampling oil from delivery containers (e.g. sampling probes, such as dippers or siphons) and from electrical equipment (e.g. connecting tubing and drain valve adapters)

NOTE This also includes sample containers, waste oil containers and other accessories.

3.4

sample containers

containers such as syringes, bottles, ampoules or other devices used to store and transport samples of oil for analysis

NOTE This includes accessories such as valves, tubing or caps attached to the container.

4 General principles for the sampling of insulating liquids

4.1 New insulating liquids in delivery containers

4.1.1 Place of sampling

The sample shall be taken from the part of the delivery container where the insulating liquid is likely to be most heavily contaminated. To evaluate the quality of a consignment, two types of samples may be normally taken:

- a) composite sample: mixture of samples taken at the same level in several containers;
- b) individual sample: sample or mixture of samples taken at the same level in one container.

From a delivery, individual samples of 1 l may be taken from different containers for the electric strength test. Further tests may be carried out on these samples and a complete examination on the mixture of these (composite sample).

In certain cases, it may be useful to constitute an average sample within the container. An average sample is a mixture of samples taken at different levels in one container.

- 1) tankers: samples should be taken from each tanker as described in 4.1.4.2 below;
- 2) drums: samples should be taken as described in 4.1.4.3 below.

In the case of a single drum, this shall be sampled.

In case there is more than one drum of a lot of oil, sampling procedures should be negotiated between supplier and user. For example, samples can be taken from 10 % of drums or at least 2 drums, whichever is the largest.

4.1.2 Quantity of sample to be taken

This depends on the tests to be performed and the procedures used.

Typically, 2 l are taken.

4.1.3 Sampling equipment

4.1.3.1 General

Since the results of the tests included in IEC requirements for insulating liquids can greatly depend on the impurities in the sample, it is essential to observe the following precautions:

- separate sampling equipment shall be reserved exclusively for each type of liquid. All seals and tubing used should be compatible with the insulating liquid to be sampled;
- the equipment shall be clean and dry, following the cleaning procedures described in 4.2.1.6. Particular care should be taken to ensure the absence of any traces of solid impurities, such as dust, fibres, etc. The use of rags for cleaning is not permitted.

4.1.3.2 Sampling probes

As examples, four types of sampling probes are described below. Other probes may also be used, provided they do not introduce any contamination. Stainless steel and aluminium are suitable.

a) Sampling from tankers

The thief dipper shown in Figure 1 is suitable for taking samples at the bottom of the container. This is a dipper constructed of stainless steel or aluminium tubes and castings, machine-finished all over. It shall be sufficiently heavy to sink in the liquid. It should always be suspended by means of a metal wire or chain. String or other fibrous materials shall not be used.

The cream dipper is used for taking top samples of insulating liquids. This probe shall be constructed as shown in Figure 2 and shall be of stainless steel.

Dimensions in millimetres

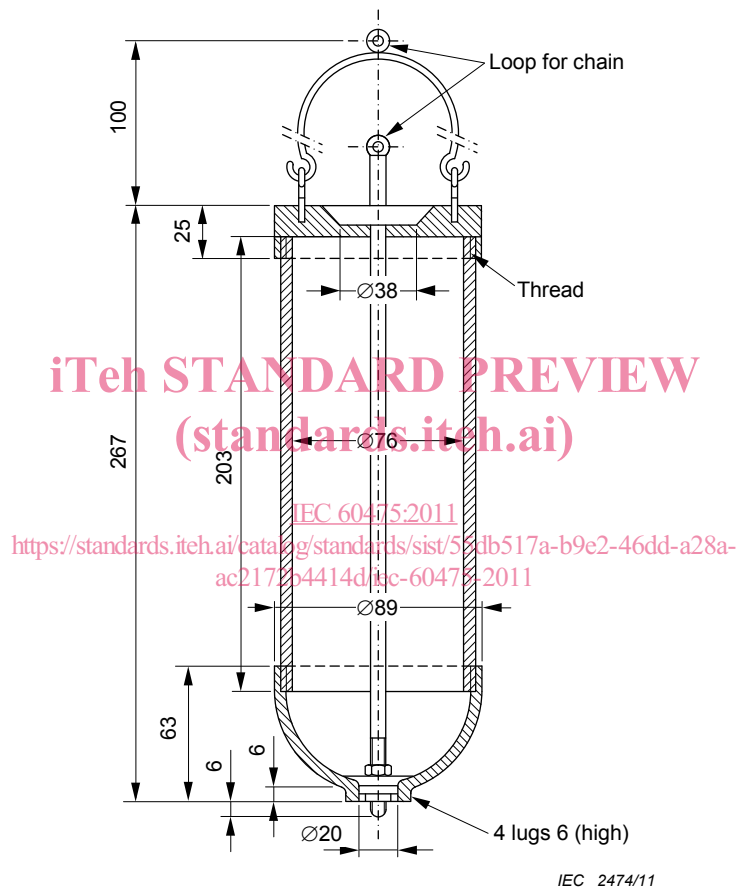
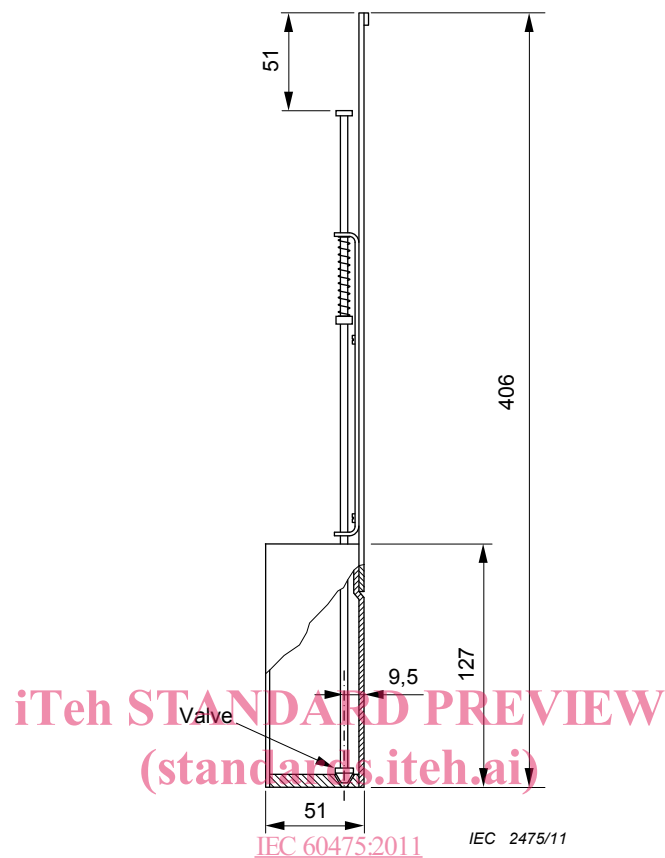


Figure 1 – Thief dipper

Dimensions in millimetres



IEC 60475:2011 IEC 2475/11
<https://standards.iteh.ai/catalog/standards/sist/55db517a-b9e2-46dd-a28a->

Figure 2 – Cream dipper

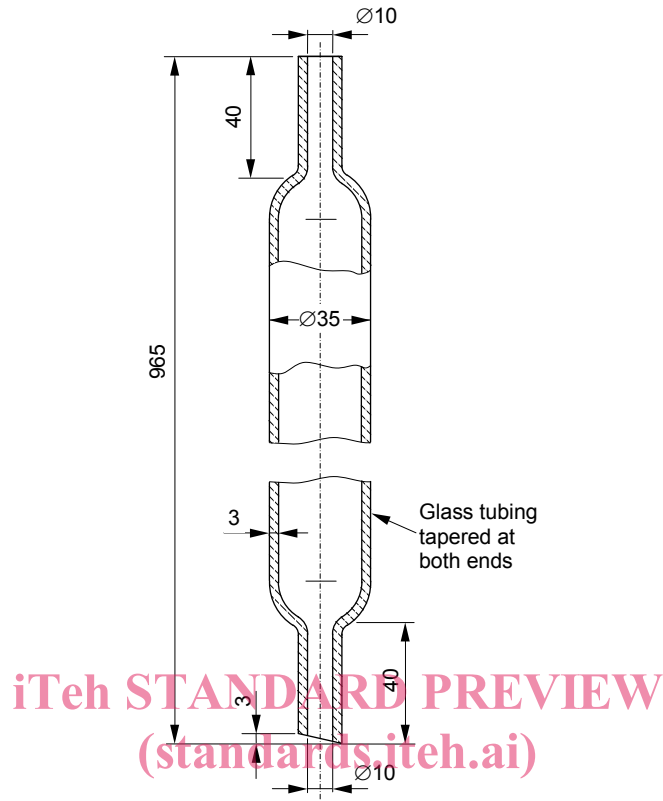
b) Sampling from drums

The pipette shown in Figure 3 enables samples to be taken at the bottom of drums. This pipette has a capacity of about 500 ml.

Another probe to take samples at the bottom is shown in Figure 4; it is a siphon with a glass, stainless steel or aluminium tube having an internal diameter of about 13 mm for taking off the sample liquid, and a metal tube (internal diameter 5 mm) for applying pressure. Both tubes are set in an oil-resistant bung whose dimensions correspond to the diameter of the bung hole in the drum. Commercial versions of this equipment are available. When possible, glass is preferable for probes illustrated in Figures 3 and 4.

The cream dipper (Figure 2) may be used for taking top samples.

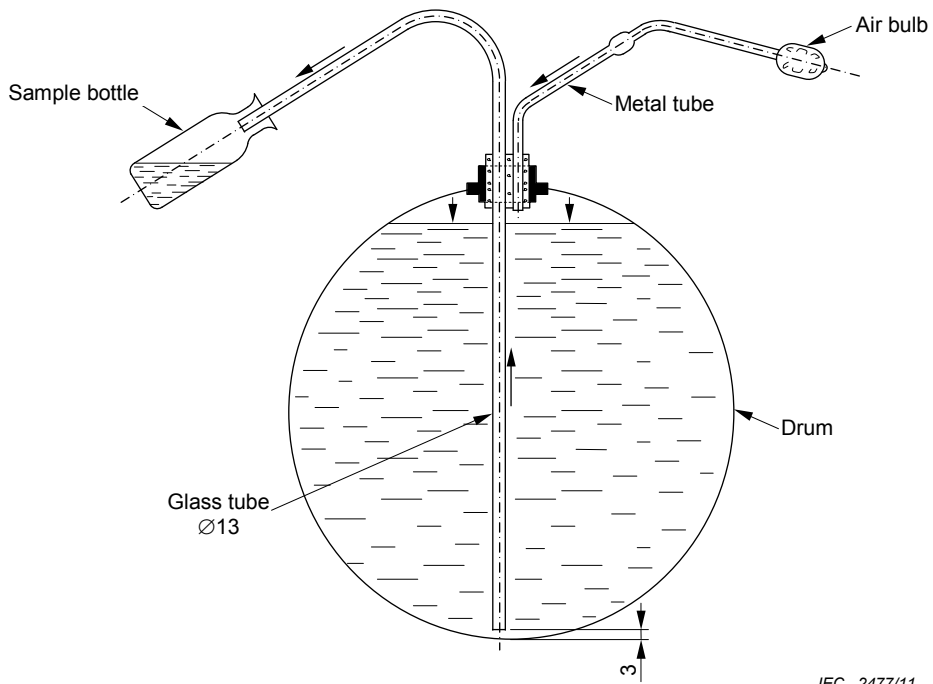
Dimensions in millimetres



IEC 60475:2011

IEC 2476/11

<https://standards.iteh.ai/catalog/standards/sist/55db517a-b9e2-46dd-a28a-ac2> **Figure 3 – Pipette**



IEC 2477/11

Figure 4 – Siphon

4.1.3.3 Sample containers

For storing and transporting samples, depending on the oil test to be performed, sample containers of appropriate volume shall be used. Different types of sample containers are indicated in 4.2.1.5.

For the mixing of different samples, a special sample container made of glass with a capacity of at least 6 l shall be used. These special sample containers shall be closed in a manner that allows them to be sealed, by means of oil-resistant plastic or compatible rubber tubing or screw caps equipped with a polytetrafluoroethylene (PTFE) lining. Natural rubber tubing and/or seals are not permitted. PTFE and polypropylene (PP) seals are acceptable.

Each sample container shall have a label on which are marked all the indications necessary to identify the contents, i.e. the markings of the drums or tanks, date of sampling and the name of the recipient.

4.1.3.4 Cleaning of sampling equipment

Sampling equipment shall be cleaned following the procedures described in 4.2.1.6.

4.1.4 Sampling procedure

4.1.4.1 General remarks

According to general principles for sampling (see 4.1.1), samples of new insulating liquid shall be taken from the bottom of the delivery container, where the contamination is likely to be the greatest. But in certain cases, an average sample is also of interest.

NOTE 1 To obtain an average sample, samples are taken at intermediate levels in tanks or drums. Examples of procedure are given in Annex A. A procedure is indicated in the NOTE in 4.1.4.2 a) for obtaining the equivalent of an average sample.

In Table 1 different cases are considered:

Table 1 – Types of samples of new insulating liquids

Type of delivery	Recommended sampling	Equipment to be used	Procedure	Recommended quantity
Drums	Composite	} Pipette (Figure 3) or Siphon (Figure 4)	4.1.4.2	3 × 2 l
	Individual		4.1.4.2	1 or 2 l
Tankers	Individual	} Thief dipper (Figure 1) or None (valve)	4.1.4.1 b)	3 × 2 l
			4.1.4.1 a)	
Drums	Average	} Pipette or Siphon (Figs 3 and 4)	} Annex A	} 3 × 2 l
Tankers	Average			

NOTE 2 Before sampling from tankers, sufficient oil should be pumped from the end of the delivery pipe, as required by 4.1.4.2.

Every precaution shall be taken during sampling in order to avoid contamination of the insulating liquids. Outdoor sampling of insulating liquids in rain, fog or high wind is only permitted if all precautions have been taken to avoid contamination of the liquid. In this special case, the use of a cover is necessary.

Condensation shall be avoided by warming the sampling equipment so as to be above the ambient air temperature. Before use, the equipment shall be rinsed with the liquid being sampled. The operator shall be warned not to permit his hands to come in contact with the surfaces of sampling equipment subsequently in contact with the oil. The insulating liquids shall be protected against light irradiation during transportation and storage.

On arrival at the laboratory, the sampling container shall not be opened immediately. It is necessary to wait until the temperature of the sample is the same as the room temperature.

4.1.4.2 Sampling from tankers

Insulating liquids may be sampled either through the tank outlet or by a thief dipper or by a cream dipper.

a) Sampling through the tank outlet

By this procedure, it is possible to obtain a sample representative of the bottom of the tank after this has been allowed to stand for at least 1 h after the vehicle has arrived.

NOTE It may be possible, by this procedure, to obtain the equivalent of an average sample, if the sampling is done directly after the vehicle has arrived.

In this case, the sampling procedure shall be as follows:

- remove the outlet valve shield, if fitted;
- remove all visible dirt and dust from the valve by means of lint-free clean cloths or oil-resistant synthetic sponges;
- the outlet system (pump, delivery pipe), if incorporated, shall be started or opened as appropriate in order to get a sample;
- open the valve and allow to flow slowly at least 10 l of insulating liquid into a waste oil container. In any case, discard at least an amount of oil equivalent to the volume of pipe;
- rinse sampling bottles with the insulating liquid;
- fill sampling bottles at constant flow to avoid turbulence.

b) Sampling with a thief dipper or a cream dipper

This sampling should be carried out after the tank has been allowed to stand for at least 1 h after the vehicle has arrived.

1) Procedure with the thief dipper (Figure 1) (bottom samples)

For taking bottom samples (i.e. within 1 cm to 2 cm from the bottom of the tank) the dipper is lowered until the projecting stem of the valve rod strikes the bottom of the tank. The dipper then fills. Filling is complete when no more air bubbles escape. The dipper is then withdrawn and its contents poured into the sample container (in the case of an individual sample) or into the special glass sample container for collecting and mixing the various samples taken (in the case of a composite sample). In this latter case, the sample container(s) is (are) filled with the mixture so obtained. During pouring of the liquid, avoid forming air bubbles by pouring too fast.

2) Procedure with the cream dipper (Figure 2) (top samples)

With the valve closed, fill the cream dipper by slowly immersing it in the liquid to be sampled until the rim is just below the surface of the liquid so that it will flow slowly into the dipper. Discard the first filling. Refill the dipper as above and transfer the sample to the sample container by allowing it to flow from the bottom orifice against the side of the sample container and not in a stream into the bottom of the sample

container. Repeat the operation until sufficient liquid is obtained to fill the sample container (individual sample) or the special glass sample container used for mixing samples depending on the type of sample to be obtained.

4.1.4.3 Sampling from drums

Samples should be taken after the drums have been allowed to stand for at least 8 h with the bung uppermost, protected against rain and rainwater. For sampling the bottom (i.e. 3 mm up), the pipette (Figure 3) or the siphon pressure thief (Figure 4) may be used.

For taking a sample from the surface layer of the liquid, the cream dipper (Figure 2) may be used.

Examples of procedure:

- a) Use of pipette (Figure 3) (bottom samples)
 - block the upper orifice of the pipette with the thumb, and then immerse the pipette in the liquid to the bottom of the drum;
 - remove the thumb to allow liquid to enter the pipette;
 - again close the upper end of the pipette with the thumb and withdraw the pipette;
 - the first filling is used for rinsing the pipette; transfer the next fillings into either a sample container (individual sample) or the special glass sample container for mixing samples (composite sample) (see 4.1.4.2 b)) taking care not to form air bubbles during pouring the liquid.
- b) Use of siphon (Figure 4) (bottom samples)
 - fit the bung in which are set the riser and pressure tubes into the bung hole of the drum and ensure that this seal is airtight;
 - dip the lower end of the riser tube to about 3 mm from the bottom of the drum;
 - raise the pressure inside the drum by means of the air bulb;
 - run off enough liquid to rinse the tube and then run off the required quantity directly into the sample container (individual sample) or the special glass sample container for mixing samples (composite sample) (see 4.1.4.2 b)) taking care not to form air bubbles during pouring the liquid.
- c) Use of cream dipper device (Figure 2) (top samples)

See 4.1.4.2 b).

4.1.4.4 Sampling report

The sampling report shall give all the information necessary for identifying the sample as well as any details or special information likely to be of help to those entrusted with the tests. The type of sample (i.e. composite, individual or average sample) shall be specified. A copy of the report shall accompany each sample. The distribution of samples shall be in accordance with the agreed procedure, e.g. as given in the sales contract.

4.2 Sampling of oil from oil-filled equipment

4.2.1 General remarks

4.2.1.1 Safety and quality of sampling

The manufacturer's instructions for taking oil samples from the electrical equipment shall be followed. Particular attention shall be paid to the safety precautions to be taken.

Make sure that the oil in the energized electrical equipment is not under a negative pressure when taking an oil sample, since this could introduce air bubbles in the oil, induce electrical short-circuits in the equipment and put the sampling personnel at risk.