



SLOVENSKI STANDARD
SIST ISO 12900:2000
01-junij-2000

fb]`dfYa c[`!`l [cHj `Ub^UVfUn]j bcgh]

Hard coal - Determination of abrasiveness

Houille -- Détermination de l'abrasivité

ITEH STANDARD PREVIEW
(standards.iteh.ai)

Ta slovenski standard je istoveten z: **ISO 12900:1997**

[SIST ISO 12900:2000](https://standards.iteh.ai/catalog/standards/sist/5dc2bfe5-d2fa-44a7-b9d3-1157f5a117ee/sist-iso-12900-2000)

<https://standards.iteh.ai/catalog/standards/sist/5dc2bfe5-d2fa-44a7-b9d3-1157f5a117ee/sist-iso-12900-2000>

ICS:

73.040 Premogi Coals

SIST ISO 12900:2000 **en**

iTeh STANDARD PREVIEW
(standards.iteh.ai)

SIST ISO 12900:2000

<https://standards.iteh.ai/catalog/standards/sist/5dc2bfe5-d2fa-44a7-b9d3-1157f5a117ee/sist-iso-12900-2000>

INTERNATIONAL STANDARD

ISO
12900

First edition
1997-12-15

Corrected and reprinted
1998-09-15

Hard coal — Determination of abrasiveness

Houille — Détermination de l'abrasivité

iTeh STANDARD PREVIEW
(standards.iteh.ai)

[SIST ISO 12900:2000](https://standards.iteh.ai/catalog/standards/sist/5dc2bfe5-d2fa-44a7-b9d3-1157f5a117ee/sist-iso-12900-2000)

<https://standards.iteh.ai/catalog/standards/sist/5dc2bfe5-d2fa-44a7-b9d3-1157f5a117ee/sist-iso-12900-2000>



Reference number
ISO 12900:1997(E)

ISO 12900:1997(E)**Foreword**

ISO (the International Organization for Standardization) is a worldwide federation of national standards bodies (ISO member bodies). The work of preparing International Standards is normally carried out through ISO technical committees. Each member body interested in a subject for which a technical committee has been established has the right to be represented on that committee. International organizations, governmental and non-governmental, in liaison with ISO, also take part in the work. ISO collaborates closely with the International Electrotechnical Commission (IEC) on all matters of electro-technical standardization.

Draft International Standards adopted by the technical committees are circulated to the member bodies for voting. Publication as an International Standard requires approval by at least 75 % of the member bodies casting a vote.

iTeh STANDARD PREVIEW

International Standard ISO 12900 was prepared by Technical Committee ISO/TC 27, *Solid mineral fuels*. (standards.iteh.ai)

Annex A of this International Standard is for information only.
<https://standards.iteh.ai/catalog/standards/sist/5dc2b1e5-d2fa-44a7-b9d3-1157f5a117ee/sist-iso-12900-2000>

© ISO 1997

All rights reserved. Unless otherwise specified, no part of this publication may be reproduced or utilized in any form or by any means, electronic or mechanical, including photocopying and microfilm, without permission in writing from the publisher.

International Organization for Standardization
 Case postale 56 • CH-1211 Genève 20 • Switzerland
 Internet central@iso.ch
 X.400 c=ch; a=400net; p=iso; o=isocs; s=central

Printed in Switzerland

Introduction

The abrasiveness of coal is recognized as a factor in coal operations, from mining to utilization, requiring a standard method of measurement and evaluation, as some coals are more abrasive than others.

The interaction between coal and conveying, storage and crushing equipment results in component wear. In particular, the higher contact pressures in some coal pulverizers result in significant wear.

For the ranking or relative comparison of the abrasiveness of coals, a test was developed [1] which standardized the following equipment variables:

- a) test equipment dimensions and tolerances;
- b) speed of rotation of wearing components;
- c) properties of the wearing components;
- d) mass of the test portion;
- e) top particle size of the test portion;
- f) duration of the test.

The abrasiveness of coal is generally a function of two factors: the physical properties of the coal, in particular moisture content, mineral content and mineral characteristics [1], [2], [3], [4], [5], [6]; the mechanics of the operations to which the coal is subjected.

NOTE — Moisture contents over 10 % in the test sample after air-drying and laboratory equilibration may give anomalous results; the reason for this has not been established.

Wear on coal-pulverizing elements in industrial mills is influenced by the physical characteristics of the coal and its mineral constituents, the mechanical characteristics of the mill, including the milling pressures, alloy material properties and coal feed flow, and the operation of the mill. Abrasiveness as determined by this International Standard has been demonstrated to provide initial empirical estimates of specific wear rates in certain types of industrial tube-ball mills, vertical spindle mills and high-speed hammer mills [3], [6], with different coefficients for each mill type.

Abrasiveness as determined by this International Standard may be of value in providing an initial estimate of the likely wear in other applications, giving the relative effect of different coals.

iTeh STANDARD PREVIEW
(standards.iteh.ai)

SIST ISO 12900:2000

<https://standards.iteh.ai/catalog/standards/sist/5dc2bfe5-d2fa-44a7-b9d3-1157f5a117ee/sist-iso-12900-2000>

Hard coal — Determination of abrasiveness

1 Scope

This International Standard describes a method for determining the abrasiveness of hard coal.

2 Normative references

The following standards contain provisions which, through reference in this text, constitute provisions of this International Standard. At the time of publication, the editions indicated were valid. All standards are subject to revision, and parties to agreements based on this International Standard are encouraged to investigate the possibility of applying the most recent editions of the standards indicated below. Members of IEC and ISO maintain registers of currently valid International Standards.

ISO 589:1981, *Hard coal — Determination of total moisture.*

<https://standards.iteh.ai/catalog/standards/sist/5dc2bfe5-d2fa-44a7-b9d3-11575a117ee/sist-iso-12900-2000>

ISO 1988:1975, *Hard coal — Sampling.*

ISO 3310-1:1990, *Test sieves — Technical requirements and testing — Part 1: Test sieves of metal wire cloth.*

ISO 6507-1:1997, *Metallic materials — Vickers hardness test — Part 1: Test method.*

ISO 9411-1:1994¹⁾, *Solid mineral fuels — Mechanical sampling from moving streams — Part 1: Coal.*

3 Principle

Four standard steel blades are rotated under specified conditions in a 2 kg mass of prepared coal in a test machine. The abrasiveness is calculated from the mass of steel lost during the test.

1) To be revised as ISO 13909.

4 Apparatus

4.1 Abrasion test machine, comprising the following components:

a) Blades, of the following types:

1) **A set of four reference blades²⁾**, having a Vickers hardness of 160 ± 15 when tested in accordance with ISO 6507-1. When new, the blades, machined with the bar rolling direction parallel to the line of the bolt holes, from a bar of carbon steel, shall have the shape, dimensions and surface finish shown in figure 1. To reduce the extent of varying hardness near the surface, care should be taken during machining to minimize surface distortion and heating of the blades. The blades shall be marked for identification.

Dimensions in millimetres

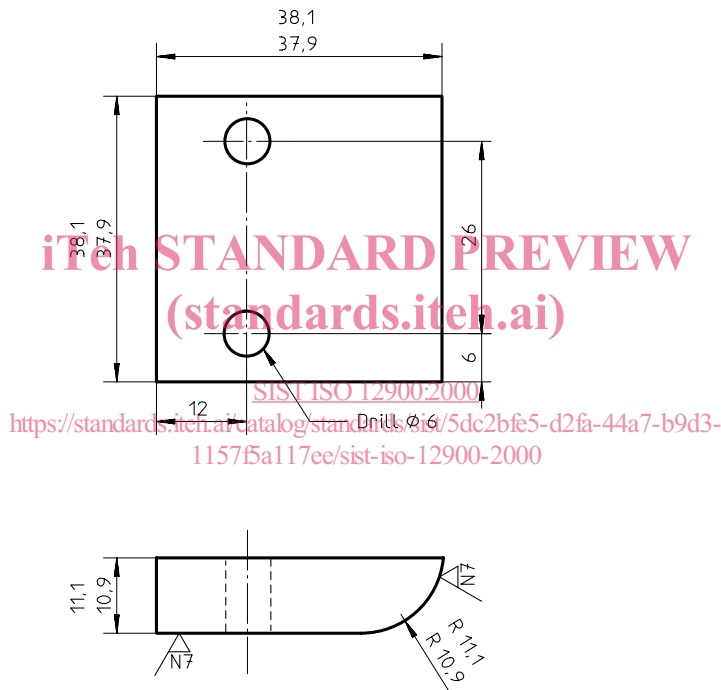


Figure 1 — Blades

A new set of blades shall be "run in" by carrying out a number of abrasiveness determinations on 2 kg test portions of the same coal until constant results (within the limits of repeatability, see clause 9) are obtained.

When blades are not in use, they should be wrapped in a cloth containing a rust-preventive solution and stored in a desiccator. Immediately prior to use, the blades should be cleaned with a suitable solvent, e.g. methylated spirits, and allowed to air dry in a desiccator.

2) Suitable blades are available from Mitsui Babcock Energy Ltd., Technology Centre, Renfrew, U.K.

The reference set of blades shall be discarded when any of the following conditions occurs:

- the wear on the leading edge or corners is greater than 3 mm;
- the blades cannot be correctly adjusted in the jig.

After a number of tests, the wearing surface of the blades may become rough, in which case each blade should be gently polished with a fine-grained emery paper and reconditioned prior to further use.

2) **A set of four working blades**, conforming to the requirements of 4.1 1) and checked successively against the reference blades when their original mass has decreased by 2 %, 3 % and 4 %, or more frequently if required.

The working set of blades shall be discarded when the results obtained on a sample using the working set differ, after a minimum of three determinations, by more than the limit of repeatability from the value obtained using the reference set.

After a number of tests, the wearing surface of the blades may become rough, in which case each blade should be gently polished with a fine-grained emery paper and reconditioned prior to further use.

b) **Mill mortar**, having dimensions as shown in figure 2 and fitted with a dust-tight cover. The lower sections of the walls may be recessed to accommodate a replaceable liner. Hardened metal or hard metal plate is recommended for the mill mortar (or liner if fitted). The mill mortar shall be discarded (or a new liner fitted) when the tolerance shown in figure 2 is exceeded.

c) **Quadrant**, having four arms with elongated bolt holes for attachment and adjustment of the blades using round-head bolts, nuts and spring washers. The quadrant shall be capable of being removed from the mill mortar (see figure 2).

NOTE — Some test machines have quadrants which are not removable. For these machines the blades should be adjusted using suitable gauges so that the trailing and bottom edges are positioned $6,4 \pm 0,1$ mm from the wall and bottom of the mill mortar.

d) **Drive**, for driving the quadrant at $24,5 \text{ s}^{-1} \pm 0,5 \text{ s}^{-1}$ either directly or indirectly by a constant-speed electric motor. The shaft shall be fitted with a revolution counter and automatic cut-off switch.

NOTE — A 2,5 kW motor is suitable. The drive may be above or below the mill mortar.