



SLOVENSKI STANDARD

SIST ISO/TR 9172:1996

01-maj-1996

Naprave in sistemi za kontinuirni transport - Varnostni predpis za polžaste transporterje - Primeri zaščite kritičnih mest

Continuous mechanical handling equipment -- Safety code for screw conveyors --
Examples of guards for trapping and shearing points

iTeh STANDARD PREVIEW

Engins de manutention continue -- Code de sécurité pour transporteurs à vis --
Exemples de protection des points de coincement et de cisaillement

[SIST ISO/TR 9172:1996](https://standards.iteh.ai/catalog/standards/sist/8cf3dc1-3c12-43db-868c-bd778c20bd03/sist-iso-tr-9172-1996)

Ta slovenski standard je istoveten z: **ISO/TR 9172:1987**

ICS:

53.040.10 Transporterji Conveyors

SIST ISO/TR 9172:1996 **en**

iTeh STANDARD PREVIEW
(standards.iteh.ai)

[SIST ISO/TR 9172:1996](https://standards.iteh.ai/catalog/standards/sist/8cfc3dc1-3c12-43db-868c-bd778e20bd03/sist-iso-tr-9172-1996)

<https://standards.iteh.ai/catalog/standards/sist/8cfc3dc1-3c12-43db-868c-bd778e20bd03/sist-iso-tr-9172-1996>



TECHNICAL REPORT 9172

Published 1987-12-15

INTERNATIONAL ORGANIZATION FOR STANDARDIZATION · МЕЖДУНАРОДНАЯ ОРГАНИЗАЦИЯ ПО СТАНДАРТИЗАЦИИ · ORGANISATION INTERNATIONALE DE NORMALISATION

Continuous mechanical handling equipment — Safety code for screw conveyors — Examples of guards for trapping and shearing points

Engins de manutention continue — Code de sécurité des transporteurs à vis — Exemples de protection des points de coincement et de cisaillement

ISO (the International Organization for Standardization) is a worldwide federation of national standards bodies (ISO member bodies). The work of preparing International Standards is normally carried out through ISO technical committees. Each member body interested in a subject for which a technical committee has been established has the right to be represented on that committee. International organizations, governmental and non-governmental, in liaison with ISO, also take part in the work.

The main task of ISO technical committees is to prepare International Standards. In exceptional circumstances a technical committee may propose the publication of a technical report of one of the following types:

- type 1, when the necessary support within the technical committee cannot be obtained for the publication of an International Standard, despite repeated efforts;
- type 2, when the subject is still under technical development requiring wider exposure;
- type 3, when a technical committee has collected data of a different kind from that which is normally published as an International Standard ("state of the art", for example).

Technical reports are accepted for publication directly by ISO Council. Technical reports types 1 and 2 are subject to review within three years of publication, to decide if they can be transformed into International Standards. Technical reports type 3 do not necessarily have to be reviewed until the data they provide are considered to be no longer valid or useful.

ISO/TR 9172 was prepared by Technical Committee ISO/TC 101, *Continuous mechanical handling equipment*.

The reasons which led to the decision to publish this document in the form of a technical report type 3 are explained in the Introduction.

0 Introduction

This Technical Report supplements the various safety standards for conveyors for loose bulk materials. It gives examples of the many kinds of hazards connected with screw conveyors at trapping and shearing points; it incorporates illustrative examples which show in principle how sufficient safety can be achieved, without excluding other methods which give the same level of safety.

UDC 621.867.4-783.3

Ref. No. ISO/TR 9172 : 1987 (E)

Descriptors: handling equipment, continuous handling, continuous conveyors, screw conveyors, safety requirements.

© International Organization for Standardization, 1987 •

Printed in Switzerland

Price based on 16 pages

ISO/TR 9172 : 1987 (E)

1 Scope and field of application

This Technical Report gives examples of the kinds of hazards associated with screw conveyors at danger points, in particular trapping and shearing points located between the moving screw and the fixed parts of the conveyor or surrounding structures.

It describes different safety devices, illustrated by examples of design sheets, capable of meeting safety requirements specified in ISO 1819 and ISO 7149.

2 References

ISO 1819, *Continuous mechanical handling equipment — Safety code — General rules.*

ISO 7149, *Continuous mechanical handling equipment — Safety code — Special rules.*

3 Danger points

3.1 Trapping points

Trapping points occur where the outer edge of the screw approaches a fixed part with a steadily decreasing distance; examples of danger points where this hazard occurs are given in 3.1.1 to 3.1.5.

3.1.1 Between screw and trough

As the distance between the outer edge of the screw blade and the trough decreases down to the operating clearance, there is a danger of limbs being pulled in (see figure 1). In the case of large screw conveyors, the whole body may be pulled in.

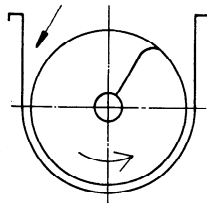


Figure 1

3.1.2 Between screw and screw protection plate

A trapping point will occur on the running area under the protection plate (usually made from angle steel or shaped like a roof) if the clearance c (see figure 2) is less than 50 mm.

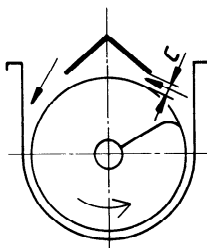


Figure 2

3.1.3 Between multiple screws

Trapping points will occur between adjacent screws [see figures 3a) and 3c)] or on one [see figure 3c)] or both [see figure 3b)] of the trough walls depending on the direction of rotation and the pitch of the screw helix.

The trapping points at the trough sides are the same as in 3.1.1; between the screws, trapping points may occur depending on the distance between the screw blades and the friction generated at the blades.

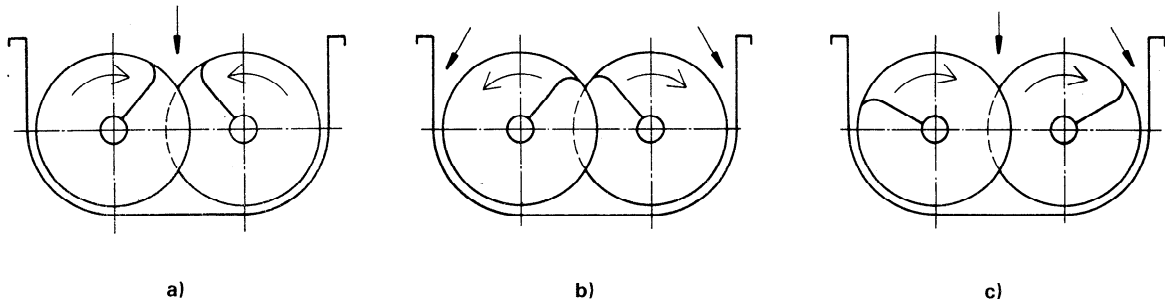


Figure 3

3.1.4 Between screw and supporting bars

At the open end of self-charging screws, trapping points may occur between the screw and the bars supporting the outer bearing of the screw shaft (see figure 4); hands are especially at risk if any of these bars are used for moving the conveyor and clearance a is not large enough.

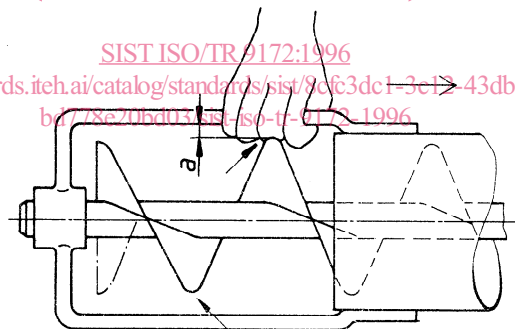


Figure 4

3.1.5 Between screw and ground

On open and running, feeding or distributing screws, trapping points will occur at ground level or between the material to be conveyed and the screw if the screw cannot lift itself because of its own weight or the weight of the machine connected to it.

Usually the feet are pulled in first and the whole body afterwards. Open ends of ribbon-type screws can also catch parts of the clothing, thus unbalancing the whole body or pulling it in.

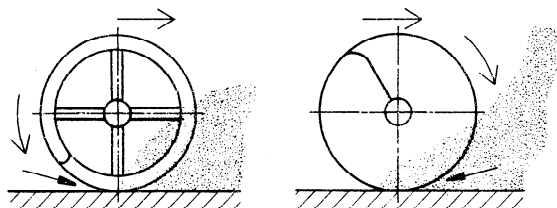


Figure 5

ISO/TR 9172 : 1987 (E)

3.2 Shearing points

Shearing points may occur when the screw helix passes edges lying across the conveying direction. Parts of the body which may have become caught are pinched by the screw blade, trapped and then cut off by the scissor action of the screw edge moving close across the edge of the opening.

Shearing points like this occur at the points listed in 3.2.1 to 3.2.5.

3.2.1 At feed and discharge openings

Shearing points occur at feed and discharge openings whatever their position in the housing or the exact configuration of the edge of the opening (see figure 6); hands especially are at risk.

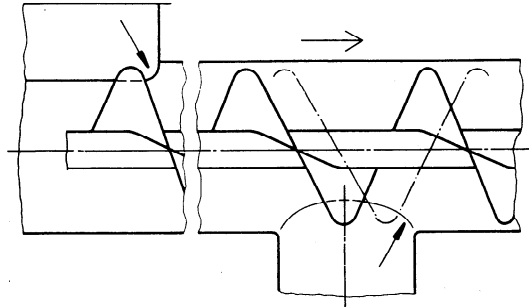


Figure 6

3.2.2 At openings of tubes of self-charging screws

Shearing points occur as the leading edges of the screw helix enter the tube of self-charging screws (see figure 7); depending on the type of operation, hands or feet especially are at risk.



Figure 7

3.2.3 At openings of conveying troughs or tubes (of open feed hoppers or pans)

Shearing points occur as the leading edges of the screw helix enter the conveying trough or tube of an open-feed hopper or pan (see figure 8).

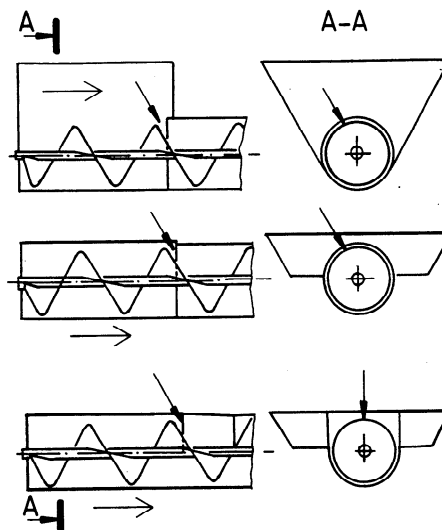


Figure 8

3.2.4 Cross-members

Shearing points occur at points where cross-members are exposed (see figure 9).

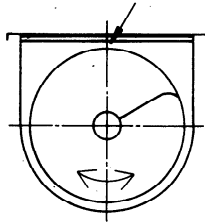


Figure 9

3.2.5 At shaft outer bearings

Shearing points occur at the shaft outer bearings of self-charging screws between the bars supporting the bearing and the lead-in edges of the screw blade (see figure 10).

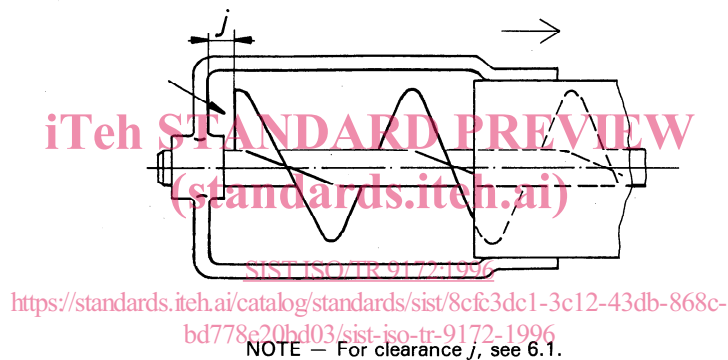


Figure 10

4 Guarding trapping points

Because of the sharp edges of the screw blade and the small clearance between screw and trough, there is always a danger that a trapped part of the body may be sheared. Guards shall therefore be properly constructed to the correct standards.

4.1 Guards for general use

Examples of possible guards for general use are given in 4.1.1 to 4.1.9.

4.1.1 Closed tube

The screw can be placed in a closed tube where all openings for assembly, inspection or maintenance are securely closed (see figure 11). For inspection purposes, permanently fixed glasses or grids may be provided. Any lubrication necessary can be done from the outside.

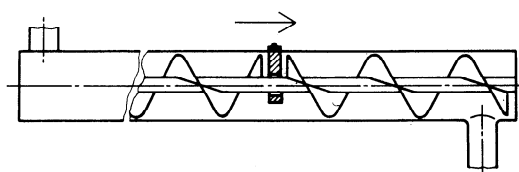


Figure 11

ISO/TR 9172 : 1987 (E)

4.1.2 Trough with fixed solid cover

The screw can be placed in a trough with a fixed solid cover (see figure 12). The cover shall

- be strong enough to withstand the expected loads and at least a load of 100 kg/m^2 if it is possible for the cover to be stepped on;
- have each removable section fixed by at least two bolts located diagonally.

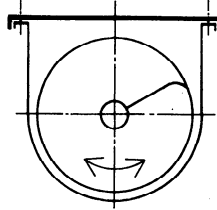


Figure 12

4.1.3 Trough with fixed grid cover

The screw can be placed in a trough with a fixed grid cover [see figures 13a) and 13b)]. The cover shall

- be designed so that no danger point is accessible through the grid;
- be strong enough to withstand the expected loads and at least a load of 100 kg/m^2 if it is possible for the cover to be stepped on;
- have each removable section fixed by at least two bolts located diagonally.

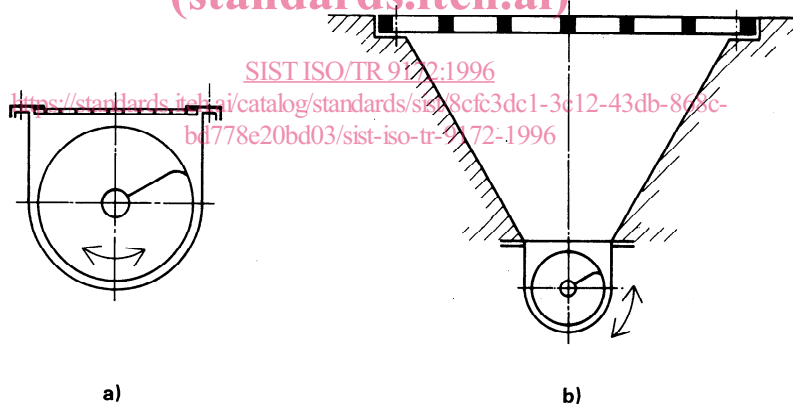


Figure 13

4.1.4 Trough with opening cover

The screw can be placed in a trough with an opening cover (see figure 14). The cover shall be

- electrically or mechanically interlocked with the drive of the screw conveyor;
- designed so that it can be stepped on without it being possible to reach any danger point, as specified in 4.1.2 and 4.1.3.

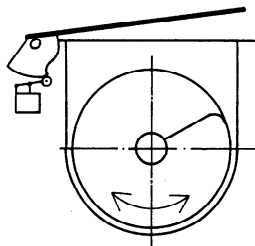


Figure 14

4.1.5 Trough with fixed cover and feeding slot

The screw can be placed in a trough with a fixed cover and feeding slot (see figure 15) in which

- the nip point at the trough wall is covered;
- the distance d to the screw edge is at least 50 mm; and
- the free edge B of the cover is bent towards the screw shaft to afford better protection.

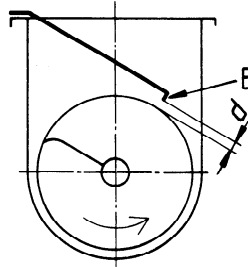


Figure 15

iTeh STANDARD PREVIEW (standards.iteh.ai)

SIST ISO/TR 9172:1996

4.1.6 Open trough in enclosed areas for loose bulk material

<http://standards.iteh.ai/catalog/standards/sist/8cfc3dc1-3c12-43db-868c-bd778e20bd03/sist-iso-tr-9172-1996>

The screw can be placed in an open trough in enclosed areas for loose bulk materials, e.g. bunkers, silos, etc. (see figure 16); these areas shall be designed so that

- they cannot be entered, or
- they are guarded against entry during operation of the screw conveyor;
- no trapping point is accessible through unguarded openings.

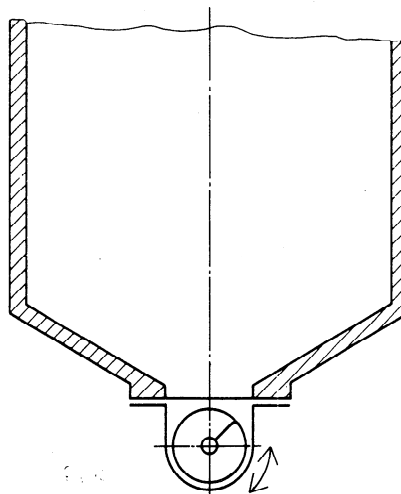


Figure 16