



**SLOVENSKI STANDARD**  
**SIST ISO 9190:1995**

**01-september-1995**

---

**Enoosni traktor - Vlečno oje**

Lawn and garden ride-on (riding) tractors -- Drawbar

Tracteurs de jardin et de pelouse à conducteur porté -- Barre d'attelage

**Ta slovenski standard je istoveten z: ISO 9190:1990**

[SIST ISO 9190:1995](https://standards.iteh.ai/catalog/standards/sist/a02cc6f5-b1f7-43c1-8a0d-9e83e52f0b07/sist-iso-9190-1995)

<https://standards.iteh.ai/catalog/standards/sist/a02cc6f5-b1f7-43c1-8a0d-9e83e52f0b07/sist-iso-9190-1995>

**ICS:**

65.060.70      Vrtnarska oprema      Horticultural equipment

**SIST ISO 9190:1995**

**en**

**iTeh STANDARD PREVIEW**  
**(standards.iteh.ai)**

[SIST ISO 9190:1995](#)

<https://standards.iteh.ai/catalog/standards/sist/a02cc6f5-b1f7-43c1-8a0d-9e83e52f0b07/sist-iso-9190-1995>

# INTERNATIONAL STANDARD

**ISO**  
**9190**

First edition  
1990-12-15

---

---

## Lawn and garden ride-on (riding) tractors — Drawbar

**iTeh STANDARD PREVIEW**  
**(standards.iteh.ai)**

*Tracteurs de jardin et de pelouse à conducteur porté — Barre d'attelage*

[SIST ISO 9190:1995](https://standards.iteh.ai/catalog/standards/sist/a02cc6f5-b1f7-43c1-8a0d-9e83e52f0b07/sist-iso-9190-1995)

<https://standards.iteh.ai/catalog/standards/sist/a02cc6f5-b1f7-43c1-8a0d-9e83e52f0b07/sist-iso-9190-1995>



Reference number  
ISO 9190:1990(E)

## Foreword

ISO (the International Organization for Standardization) is a worldwide federation of national standards bodies (ISO member bodies). The work of preparing International Standards is normally carried out through ISO technical committees. Each member body interested in a subject for which a technical committee has been established has the right to be represented on that committee. International organizations, governmental and non-governmental, in liaison with ISO, also take part in the work. ISO collaborates closely with the International Electrotechnical Commission (IEC) on all matters of electrotechnical standardization.

Draft International Standards adopted by the technical committees are circulated to the member bodies for voting. Publication as an International Standard requires approval by at least 75 % of the member bodies casting a vote.

International Standard ISO 9190 was prepared by Technical Committee ISO/TC 23, *Tractors and machinery for agriculture and forestry*.

Annex A of this International Standard is for information only.

<https://standards.iteh.ai/catalog/standards/sist/a02cc6f5-b1f7-43c1-8a0d-9e83e52f0b07/sist-iso-9190-1995>

© ISO 1990

All rights reserved. No part of this publication may be reproduced or utilized in any form or by any means, electronic or mechanical, including photocopying and microfilm, without permission in writing from the publisher.

International Organization for Standardization  
Case Postale 56 • CH-1211 Genève 20 • Switzerland

Printed in Switzerland

## Lawn and garden ride-on (riding) tractors — Drawbar

### 1 Scope

This International Standard specifies the dimensions and location requirements for drawbars on lawn and garden ride-on (riding) tractors.

It applies to lawn and garden ride-on (riding) tractors as defined below.

The requirements specified are essential to ensure that all types of towed implements, designed for operation in conjunction with lawn and garden tractors, can be operated with all currently manufactured types of lawn and garden tractors designed to pull such implements.

### 2 Definition

For the purposes of this International Standard the following definition applies.

**ride-on (riding) machine; lawn and garden tractor; turf (riding) tractor:** Self-propelled machine on which an operator rides, designed primarily for cutting grass and auxiliary garden work. The cutting means may be an integral part of the machine or suspended from or attached to the machine.<sup>1)</sup>

### 3 Dimensions

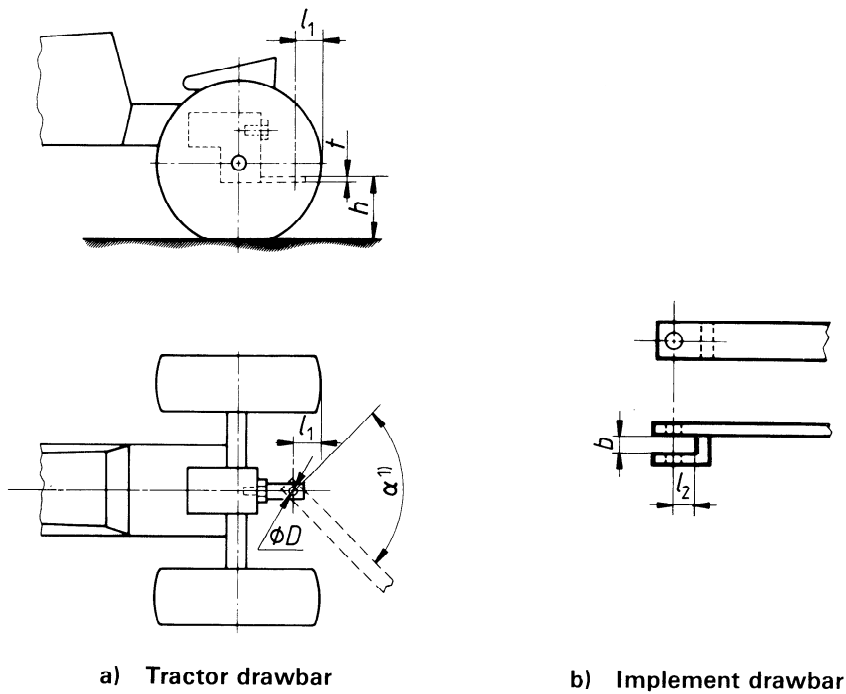
The drawbar, both of the tractor itself [see figure 1a)] and of the implement [see figure 1b)], shall be rectangular and shall have the dimensions given in figure 1 and table 1.

### SIST ISO 9190:1995 Location

<https://standards.iteh.ai/catalog/standards/sist/a02cc6f5-b1f7-43c1-8a0d-9ca021601181/sist-iso-9190>

The drawbar shall be located on the longitudinal mid-plane of the tractor.

1) For the convenience of the user of this International Standard, this definition is repeated from ISO 5395:1990 (definition 1.3.40).



1) The tongue end of the tractor drawbar shall clear a clevis 51 mm wide mounted on an implement through a max. 90° swing to either right or left of the tractor drawbar centreline or implement tongue interference with the tractor tyre, whichever occurs first.

Figure 1 — Drawbar dimensions and location

SIST ISO 9190:1995

<https://standards.iteh.ai/catalog/standards/sist/a02cc6f5-b1f7-43c1-8a0d-9e83e52f0b07/sist-iso-9190-1995>

Table 1 — Dimensions

Dimensions in millimetres

Symbol	Measurement	Dimension	
		min.	max.
$l_1$	Drawbar hitch hole location along tractor centreline (distance ahead of largest outside diameter rear tyre)	—	100
$h$	Drawbar height (distance from GRP to top of drawbar with largest rear tyre)	180	230
$l_2$	Clearance, relative to implement drawbar	38	—
$t$	Drawbar thickness	—	20
$b$	Implement drawbar clevis opening	38	—
$D$	Drawbar hitch hole diameter	14	23

## Annex A (informative)

### Bibliography

- [1] ISO 5395:1990, *Power lawn-mowers, lawn tractors, lawn and garden tractors, professional mowers, and lawn and garden tractors with mowing attachments — Definitions, safety requirements and test procedures.*
- [2] ISO 9191:—<sup>2)</sup>, *Lawn and garden ride-on (riding) tractors — Three-point hitch.*
- [3] ISO 9192:—<sup>2)</sup>, *Lawn and garden ride-on (riding) tractors — One-point tubular sleeve hitch.*
- [4] ISO 9193:1990, *Lawn and garden ride-on (riding) tractors — Power take-off.*

---

## iTeh STANDARD PREVIEW (standards.iteh.ai)

[SIST ISO 9190:1995](https://standards.iteh.ai/catalog/standards/sist/a02cc6f5-b1f7-43c1-8a0d-9e83e52f0b07/sist-iso-9190-1995)

<https://standards.iteh.ai/catalog/standards/sist/a02cc6f5-b1f7-43c1-8a0d-9e83e52f0b07/sist-iso-9190-1995>

---

2) To be published.