



SLOVENSKI STANDARD
SIST EN 3139:2002
01-januar-2002

Aerospace series - Rivets, solid, 100-countersunk normal head, in corrosion resisting steel FE-PA11, passivated, inch based series

Aerospace series - Rivets, solid, 100° countersunk normal head, in corrosion resisting steel FE-PA11, passivated, inch based series

Luft- und Raumfahrt - Vollniete, mit 100° normalem Senkkopf, aus korrosionsbeständigem Stahl FE-PA PA11, passiviert, Inch-Reihe

Série aérospatiale - Rivets ordinaires, a tête fraisée 100° normale, en acier résistant a la corrosion FE-PA11, passivés, série base inches

<https://standards.iteh.ai/catalog/standards/sist/8902366b-d209-4818-9769-852cdfb69c26/sist-en-3139-2002>

Ta slovenski standard je istoveten z: EN 3139:2001

ICS:

49.030.60 Kovice Rivets

SIST EN 3139:2002 en

iTeh STANDARD PREVIEW
(standards.iteh.ai)

SIST EN 3139:2002

<https://standards.iteh.ai/catalog/standards/sist/8902366b-d209-4818-9769-852cdfb69c26/sist-en-3139-2002>

iTeh STANDARD PREVIEW
(standards.iteh.ai)

SIST EN 3139:2002

<https://standards.iteh.ai/catalog/standards/sist/8902366b-d209-4818-9769-852cdfb69c26/sist-en-3139-2002>

iTeh STANDARD PREVIEW
(standards.iteh.ai)

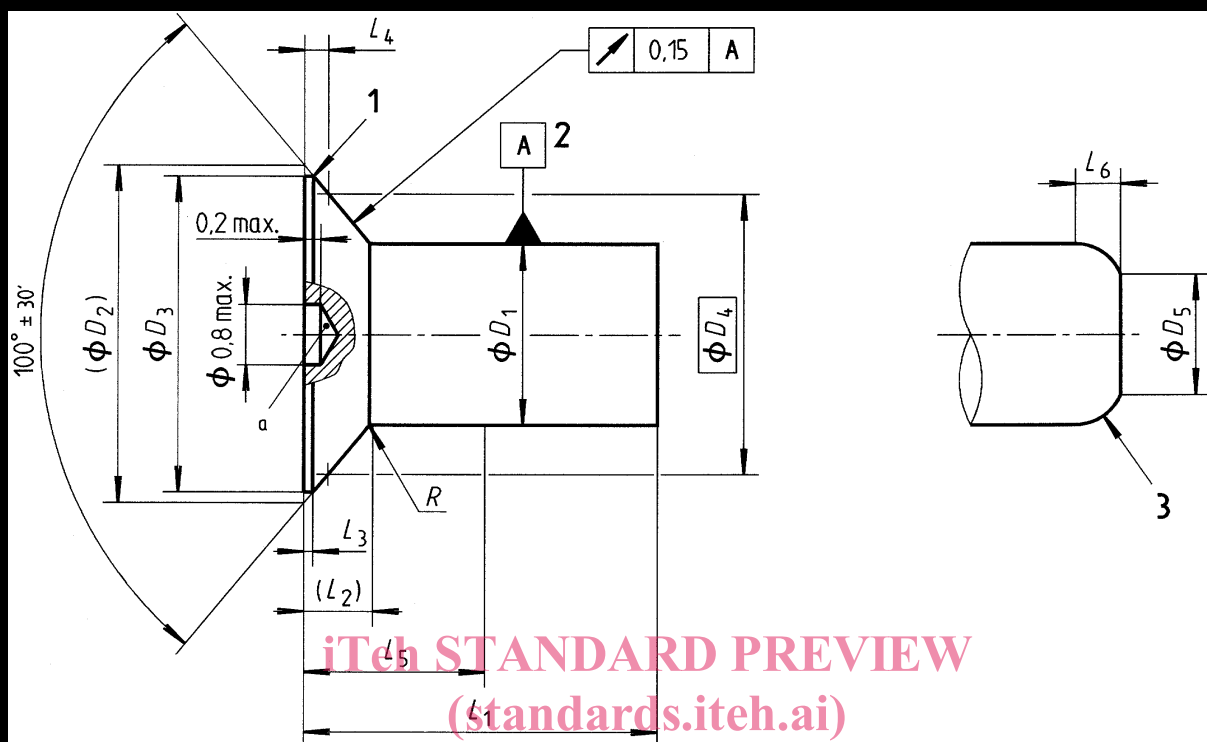
SIST EN 3139:2002

<https://standards.iteh.ai/catalog/standards/sist/8902366b-d209-4818-9769-852cdfb69c26/sist-en-3139-2002>

iTeh STANDARD PREVIEW
(standards.iteh.ai)

SIST EN 3139:2002

<https://standards.iteh.ai/catalog/standards/sist/8902366b-d209-4818-9769-852cdfb69c26/sist-en-3139-2002>



SIST EN 3139:2002

<https://standards.iteh.ai/catalog/standards/sist/8902366b-d209-4818-9769-852cdfb69c26/sist-en-3139-2002>

iTeh STANDARD PREVIEW **(standards.iteh.ai)**

SISTEN 3139:2002

<https://standards.iteh.ai/catalog/standards/sist/8902366b-d209-4818-9769-852cdfb69c26/sist-en-3139-2002>

• • •

iTeh STANDARD PREVIEW
(standards.iteh.ai)

SIST EN 3139:2002

<https://standards.iteh.ai/catalog/standards/sist/8902366b-d209-4818-9769-852cdfb69c26/sist-en-3139-2002>