



SLOVENSKI STANDARD
SIST EN 3142:2001
01-januar-2001

Aerospace series - Rivets, solid, universal head, in heat resisting nickel base alloy NI-P11, inch based series

Aerospace series - Rivets, solid, universal head, in heat resisting nickel base alloy NI-P11, inch based series

Luft- und Raumfahrt - Vollniete, mit Universalkopf, aus hochwarmfester Nickelbasislegierung NI-P11, Zoll-Reihe

Série aérospatiale - Rivets ordinaires, a tête ronde aplatie, en alliage résistant a chaud a base de nickel NI-P11, série base inches

<https://standards.iteh.ai/catalog/standards/sist/185078f3-dea8-4550-9fa5-7bc45b31e18f/sist-en-3142-2001>

Ta slovenski standard je istoveten z: EN 3142:1996

ICS:

49.030.60 Kovice Rivets

SIST EN 3142:2001 en

iTeh STANDARD PREVIEW
(standards.iteh.ai)

SIST EN 3142:2001

<https://standards.iteh.ai/catalog/standards/sist/185078f3-dea8-4550-9fa5-7bc45b31e18f/sist-en-3142-2001>

EUROPEAN STANDARD

EN 3142

NORME EUROPÉENNE

EUROPÄISCHE NORM

March 1996

ICS 49.040.20

Descriptors: aircraft industry, rivet, round head rivet, flat head rivet, nickel alloy, heat resistant material, dimension, designation

English version

**Aerospace series - Rivets, solid, universal head, in
heat resisting nickel base alloy NI-P11, inch based
series**

Série aérospatiale - Rivets ordinaires, à tête
ronde aplatie, en alliage résistant à chaud à
base de nickel NI-P11, série base inches

Luft- und Raumfahrt - Vollniete, mit
Universalkopf, aus hochwarmfester
Nickelbasislegierung NI-P11, Zoll-Reihe

STANDARD PREVIEW
(standards.iteh.ai)

SIST EN 3142:2001

<https://standards.iteh.ai/catalog/standards/sist/185078f3-dea8-4550-9fa5-7bc45b34e18f/sist-en-3142-2001>

This European Standard was approved by CEN on 1995-08-31. CEN members are bound to comply with the CEN/CENELEC Internal Regulations which stipulate the conditions for giving this European Standard the status of a national standard without any alteration.

Up-to-date lists and bibliographical references concerning such national standards may be obtained on application to the Central Secretariat or to any CEN member.

The European Standards exist in three official versions (English, French, German). A version in any other language made by translation under the responsibility of a CEN member into its own language and notified to the Central Secretariat has the same status as the official versions.

CEN members are the national standards bodies of Austria, Belgium, Denmark, Finland, France, Germany, Greece, Iceland, Ireland, Italy, Luxembourg, Netherlands, Norway, Portugal, Spain, Sweden, Switzerland and United Kingdom.

CEN

European Committee for Standardization
Comité Européen de Normalisation
Europäisches Komitee für Normung

Central Secretariat: rue de Stassart, 36 B-1050 Brussels

Foreword

This European Standard has been prepared by the European Association of Aerospace Manufacturers (AECMA).

After inquiries and votes carried out in accordance with the rules of this Association, this Standard has successively received the approval of the National Associations and the Official Services of the members countries of AECMA, prior to its presentation to CEN.

This European Standard shall be given the status of a national standard, either by publication of an identical text or by endorsement, at the latest by September 1996, and conflicting national standards shall be withdrawn at the latest by September 1996.

According to the CEN/CENELEC Internal Regulations, the national standards organizations of the following countries are bound to implement this European Standard: Austria, Belgium, Denmark, Finland, France, Germany, Greece, Iceland, Ireland, Italy, Luxembourg, Netherlands, Norway, Portugal, Spain, Sweden, Switzerland and United Kingdom

iTeh STANDARD PREVIEW (standards.iteh.ai)

SIST EN 3142:2001

<https://standards.iteh.ai/catalog/standards/sist/185078f3-dea8-4550-9fa5-7bd15b71e18f/sist-en-3142-2001>

THE INFORMATION CONTAINED
HEREIN IS UNCLASSIFIED
DATE 01/11/2010 BY 60322 UCBAW/STP
EXCEPT WHERE SHOWN
OTHERWISE



1 Scope

This standard specifies the characteristics of solid rivets, with universal head, in heat resisting nickel base alloy NI-P11, inch based series, for maximum operating temperature 650 °C.

2 Normative references

This European Standard incorporates by dated or undated reference provisions from other publications. These normative references are cited at the appropriate places in the text and the publications are listed hereafter. For dated references, subsequent amendments to or revisions of any of these publications apply to this European Standard only when incorporated in it by amendment or revision. For undated references the latest edition of the publication referred to applies.

- ISO 10299 Aerospace - Identification marking of solid rivets ¹⁾
- EN 2000 Aerospace series - Quality assurance - EN aerospace products - Approval of the quality system of manufacturers
- EN 2305 Nickel base alloy NI-P11 - $540 \text{ MPa} \leq R_m \leq 620 \text{ MPa}$ - Bars and wires for rivets - Aerospace series ²⁾
- EN 2424 Aerospace series - Marking of aerospace products
- EN 2941 Aerospace series - Nickel alloy rivets - Technical specification ³⁾

iTeh STANDARD PREVIEW
(standards.iteh.ai)

3 Required characteristics

3.1 Configuration - Dimensions - Masses

See figure 1 and tables 1 and 2. Dimensions and tolerances are expressed in millimetres.

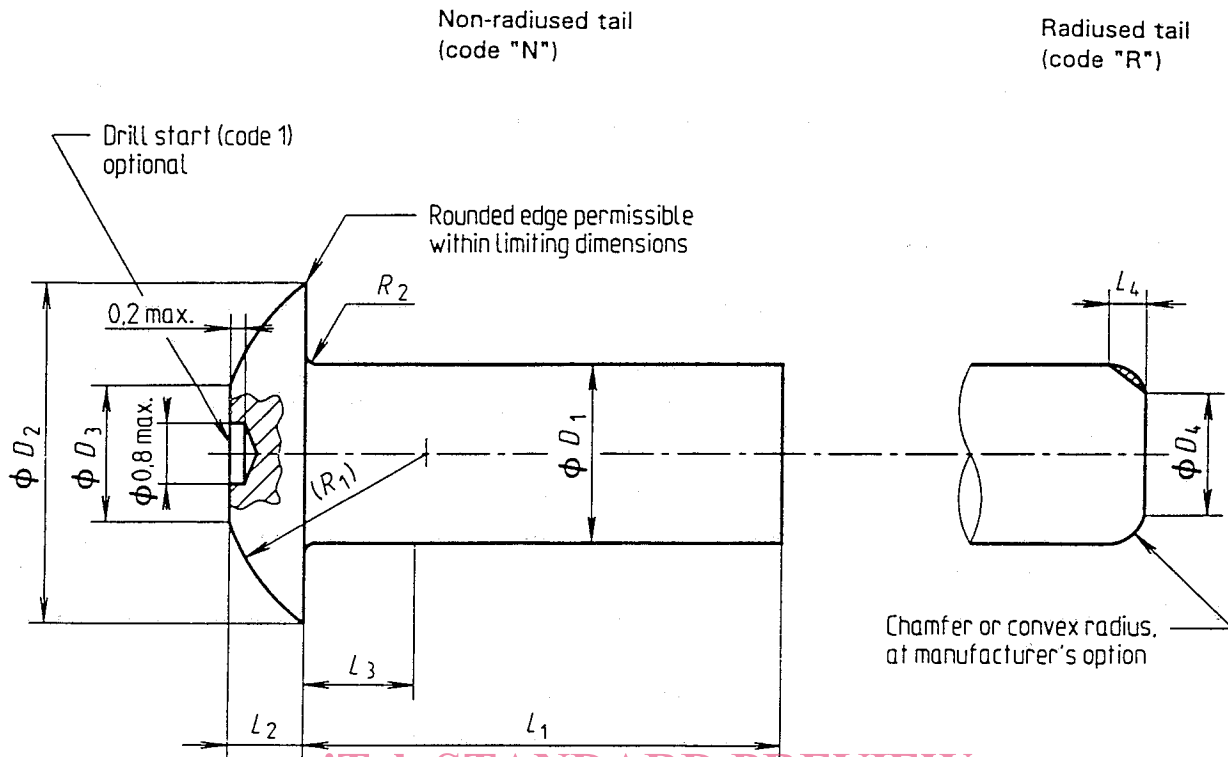
3.2 Material

EN 2305

1) In preparation at the date of publication of this standard

2) Published as AECMA Standard at the date of publication of this standard

3) Published as AECMA Prestandard at the date of publication of this standard



iTeh STANDARD PREVIEW
(standards.iteh.ai)

Figure 1

SIST EN 3142:2001

<https://standards.iteh.ai/catalog/standards/sist/185078f3-dea8-4550-9fa5-7bc45b31e18f/sist-en-3142-2001>

Table 1

Diameter code	D_1 ¹⁾		D_2		D_3		D_4		L_2 + 0,2 0	L_3	L_4		R_1	R_2 $\pm 0,08$
	max.	min.	max.	min.	max.	min.	max.	min.			max.	min.		
024	2,45	2,35	5	4,5	2,4	1,8	1,9	1,6	1	1,4	0,8	0,5	2,9	0,15
032	3,25	3,15	6,7	6	3,2	2,4	2,6	2,3	1,4		1	0,7	3,9	
036	3,65	3,55	7,5	6,8	3,6	2,7	2,9	2,5	1,6	1,6	1,1		4,4	0,25
040	4,05	3,94	8,3	7,5	4	3	3,2	2,8	1,7		1,2	0,8	4,9	
048	4,85	4,73	10	9	4,8	3,6	3,8	3,3	2	2	1,5	1	5,9	
056	5,65	5,53	11,7	10,5	5,6	4,2	4,5	3,9	2,4		1,8	1,2	6,8	
064	6,45	6,33	13,3	12,1	6,4	4,8	5,1	4,5	2,7		2,1	1,4	7,8	

1) D_1 max. may increase by 0,03, over length L_3 .

Table 2

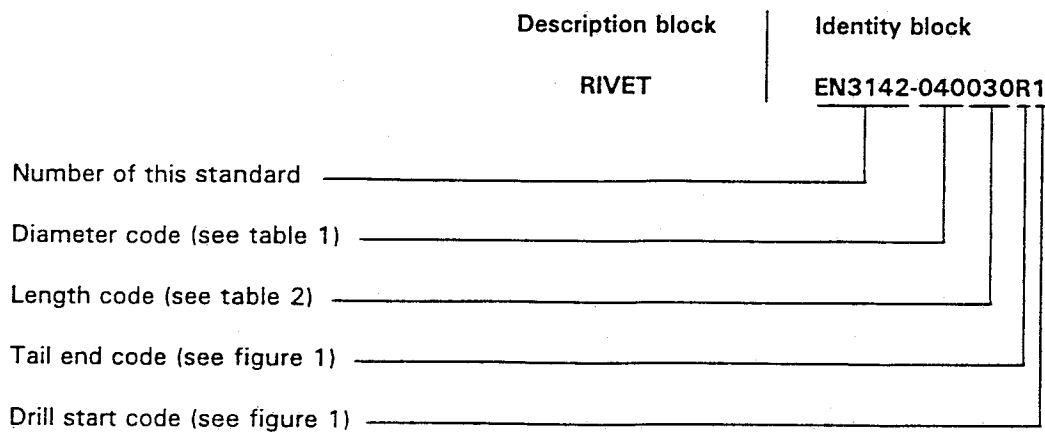
Diameter code	024		032		036		040		048		056		064	
	Length code	1) N R	Mass 2)	1) N R	Mass 2)	1) N R	Mass 2)	1) N R	Mass 2)	1) N R	Mass 2)	1) N R	Mass 2)	1) N R
004	4	x	0,237	x	0,478	x	0,727							
005	5	x	0,279	x	0,552	x	0,814							
006	6	x	0,321	x	0,622	x	0,897	x	1,036					
007	7	x	0,362	x	0,696	x	0,981	x	1,148					
008	8	x	0,401	x	0,766	x	1,064	x	1,250	x	1,873			
009	9	x	0,442	x	0,840	x	1,147	x	1,376	x	2,036			
010	10	x	0,481	x	0,911	x	1,231	x	1,488	x	2,200	x	3,171	x
011	11	x	0,523	x	0,984	x	1,314	x	1,600	x	2,360	x	3,392	x
012	12	x	0,564	x	1,055	x	1,398	x	1,712	x	2,527	x	3,614	x
013	13	x	0,605	x	1,132	x	1,481	x	1,826	x	2,687	x	3,834	x
014	14	x	0,645	x	1,199	x	1,564	x	1,940	x	2,847	x	4,053	x
015	15	x	0,683	x	1,276	x	1,651	x	2,052	x	3,043	x	4,274	x
016	16	x	0,721	x	1,344	x	1,734	x	2,164	x	3,239	x	4,496	x
017	17	x	0,762	x	1,418	x	1,818	x	2,276	x	3,369	x	4,717	x
018	18	x	0,802	x	1,491	x	1,901	x	2,389	x	3,489	x	4,938	x
019	19	x	0,842	x	1,561	x	1,984	x	2,503	x	3,660	x	5,173	x
020	20	x	0,882	x	1,635	x	2,068	x	2,617	x	3,822	x	5,409	x
022	22			x	1,780	x	2,234	x	2,841	x	4,146	x	5,820	x
024	24			x	1,924	x	2,403	x	3,126	x	4,473	x	6,262	x
026	26						2,573	x	3,293	x	4,797	x	6,641	x
028	28						2,738	x	3,518	x	5,121	x	7,147	x
030	30							x	3,745	x	5,445	x	7,587	x
032	32							x	3,970	x	5,769	x	8,026	x
035	35									x	6,288	x	8,690	x
040	40									x	7,163	x	9,793	x

1) Tail end code (see figure 1)

2) Approximate values (kg/1 000 pieces), calculated on the basis of 8,85 kg/dm³, given for information purposes only

4 Designation

EXAMPLE :



NOTE : If necessary, the code I9005 shall be placed between the description block and the identity block.

5 Marking

5.1 Rivet

EN 2424, style G

5.2 Material

ISO 10299

iTeh STANDARD PREVIEW
(standards.iteh.ai)

[SIST EN 3142:2001](https://standards.iteh.ai/catalog/standards/sist/185078f3-dea8-4550-9fa5-7bc45b31e18f/sist-en-3142-2001)

<https://standards.iteh.ai/catalog/standards/sist/185078f3-dea8-4550-9fa5-7bc45b31e18f/sist-en-3142-2001>

6 Technical specification

EN 2941 plus EN 2000 for the approval of manufacturers