



SLOVENSKI STANDARD
SIST EN 3155-003:2006
01-julij-2006

5 YfcbUj H_UË9`Y_f] b]_cbfU_H`nUj YnbYYYa YbHY`E`\$\$' "XY.`?cbfU_HžYY_f] b]ž
yYbg_]žhd`5 ž_cXfUghžfUhfYX`G`E`GfUbxUfX`nUdfc]nj cX

Aerospace series - Electrical contacts used in elements of connection - Part 003:
Contacts, electrical, female, type A, crimp, class S - Product standard

Luft- und Raumfahrt - Elektrische Kontakte zur Verwendung in Verbindungselementen -
Teil 003: Elektrische Buchsenkontakte, Typ A, crimpbar, Klasse S - Produktnorm

iTeh STANDARD PREVIEW

Série aérospatiale - Contacts électriques utilisés dans les organes de connexion et
optique - Partie 003 : Contacts électriques, femelles, type A, a sertir, classe S - Norme
de produit

[SIST EN 3155-003:2006](https://standards.iteh.ai/catalog/standards/sist/bdb5e698-beab-403d-b70a-4d2bb522d2b5/sist-en-3155-003-2006)

<https://standards.iteh.ai/catalog/standards/sist/bdb5e698-beab-403d-b70a-4d2bb522d2b5/sist-en-3155-003-2006>

Ta slovenski standard je istoveten z: EN 3155-003:2005

ICS:

49.060

SIST EN 3155-003:2006

en

iTeh STANDARD PREVIEW
(standards.iteh.ai)

SIST EN 3155-003:2006

<https://standards.iteh.ai/catalog/standards/sist/bdb5e698-beab-403d-b70a-4d2bb522d2b5/sist-en-3155-003-2006>

ICS 49.060

English Version

Aerospace series - Electrical contacts used in elements of
connection - Part 003: Contacts, electrical, female, type A,
crimp, class S - Product standard

Série aérospatiale - Contacts électriques utilisés dans les
organes de connexion et optique - Partie 003 : Contacts
électriques, femelles, type A, à sertir, classe S - Norme de
produit

Luft- und Raumfahrt - Elektrische Kontakte zur Verwendung
in Verbindungselementen - Teil 003: Elektrische
Buchsenkontakte, Typ A, crimpbar, Klasse S -
Produktnorm

This European Standard was approved by CEN on 26 September 2005.

CEN members are bound to comply with the CEN/CENELEC Internal Regulations which stipulate the conditions for giving this European Standard the status of a national standard without any alteration. Up-to-date lists and bibliographical references concerning such national standards may be obtained on application to the Central Secretariat or to any CEN member.

This European Standard exists in three official versions (English, French, German). A version in any other language made by translation under the responsibility of a CEN member into its own language and notified to the Central Secretariat has the same status as the official versions.

CEN members are the national standards bodies of Austria, Belgium, Cyprus, Czech Republic, Denmark, Estonia, Finland, France, Germany, Greece, Hungary, Iceland, Ireland, Italy, Latvia, Lithuania, Luxembourg, Malta, Netherlands, Norway, Poland, Portugal, Slovakia, Slovenia, Spain, Sweden, Switzerland and United Kingdom.



EUROPEAN COMMITTEE FOR STANDARDIZATION
COMITÉ EUROPÉEN DE NORMALISATION
EUROPÄISCHES KOMITEE FÜR NORMUNG

Management Centre: rue de Stassart, 36 B-1050 Brussels

Contents		Page
Foreword		3
Introduction		4
1 Scope		4
2 Normative references		4
3 Terms and definitions		5
4 Required characteristics		5
4.1 Specific characteristics		5
4.2 Dimensions and mass		5
4.3 Marking by colour code		8
4.4 Material, surface treatment		9
4.5 Permissible cables		9
4.6 Tooling		9
4.7 Cable stripping		12
4.8 Tests		12
4.9 Gauges		13
5 Designation		14
6 Marking		14
7 Technical specification		14

iTeh STANDARD PREVIEW
(standards.iteh.ai)
[SIST EN 3155-003:2006](https://standards.iteh.ai/catalog/standards/sist/bdb5e698-beab-403d-b70a-4d2bb522d2b5/sist-en-3155-003-2006)
<https://standards.iteh.ai/catalog/standards/sist/bdb5e698-beab-403d-b70a-4d2bb522d2b5/sist-en-3155-003-2006>

Foreword

This European Standard (EN 3155-003:2005) has been prepared by the European Association of Aerospace Manufacturers - Standardization (AECMA-STAN).

After enquiries and votes carried out in accordance with the rules of this Association, this Standard has received the approval of the National Associations and the Official Services of the member countries of AECMA, prior to its presentation to CEN.

This European Standard shall be given the status of a national standard, either by publication of an identical text or by endorsement, at the latest by April 2006, and conflicting national standards shall be withdrawn at the latest by April 2006.

Attention is drawn to the possibility that some of the elements of this document may be the subject of patent rights. CEN [and/or CENELEC] shall not be held responsible for identifying any or all such patent rights.

According to the CEN/CENELEC Internal Regulations, the national standards organizations of the following countries are bound to implement this European Standard: Austria, Belgium, Cyprus, Czech Republic, Denmark, Estonia, Finland, France, Germany, Greece, Hungary, Iceland, Ireland, Italy, Latvia, Lithuania, Luxembourg, Malta, Netherlands, Norway, Poland, Portugal, Slovakia, Slovenia, Spain, Sweden, Switzerland and the United Kingdom.

ITeh STANDARD PREVIEW
(standards.iteh.ai)

[SIST EN 3155-003:2006](https://standards.iteh.ai/catalog/standards/sist/bdb5e698-beab-403d-b70a-4d2bb522d2b5/sist-en-3155-003-2006)

<https://standards.iteh.ai/catalog/standards/sist/bdb5e698-beab-403d-b70a-4d2bb522d2b5/sist-en-3155-003-2006>

Introduction

The contacts defined by this standard are derived from those of MIL-C-39029/57 and, intermateable with those of MIL-C-39029/58.

1 Scope

This standard specifies the required characteristics, tests and tooling applicable to female electrical contacts 003, type A, crimp, class S used in elements of connection according to EN 3155-002.

It shall be used together with EN 3155-001.

The associated male contacts are defined in EN 3155-008.

2 Normative references

The following referenced documents are indispensable for the application of this document. For dated references, only the edition cited applies. For undated references, the latest edition of the referenced document (including any amendments) applies.

ISO 8843, *Aircraft — Crimp-removable contacts for electrical connectors — Identification system.*

EN 2083, *Aerospace series — Copper or copper alloy conductors for electrical cables — Product standard.*

EN 2591*, *Aerospace series — Elements of electrical and optical connection — Test methods — General.*

EN 3155-001, *Aerospace series — Electrical contacts used in elements of connection — Part 001: Technical specification.*¹⁾

EN 3155-002, *Aerospace series — Electrical contacts used in elements of connection — Part 002: List and utilization of contacts.*¹⁾

EN 3155-008, *Aerospace series — Electrical contacts used in elements of connection — Part 008: Contacts, electrical, male, type A, crimp, class S — Product standard.*

EN 4008-009, *Aerospace series — Elements of electrical and optical connection — Crimping tools and associated accessories — Part 009: Positioner for crimping tool M22520/23 — Product standard.*²⁾

EN 4008-010, *Aerospace series — Elements of electrical and optical connection — Crimping tools and associated accessories — Part 010: Head for crimping tool M22520/23 — Product standard.*²⁾

* All its parts quoted in this standard.

1) Published as AECMA Prestandard at the date of publication of this standard.

2) In preparation at the date of publication of this standard.

MIL-DTL-22520, *Crimping tools, terminal, hand or power actuated, wire termination, and tool kits general specification for.*³⁾

MIL-C-39029, *Contacts, electrical connector, general specification for.*³⁾

MIL-C-39029/57, *Contacts, electrical connector, socket, crimp removable (for MIL-C-24308, MIL-C-38999 series II, MIL-C-55302/68, /71, /72, /75 and MIL-C-83733 connectors).*³⁾

MIL-C-39029/58, *Contacts, electrical connector, pin, crimp removable (for MIL-C-24308, MIL-C-38999 series I, II, III and IV, and MIL-C-55302/69 and MIL-C-83733 connectors).*³⁾

MIL-I-81969, *Installing and removal tools, connector electrical contact, general specification for.*³⁾

3 Terms and definitions

For the purposes of this document, the terms and definitions given in EN 3155-001 apply.

4 Required characteristics

4.1 Specific characteristics

Type A contacts are for general application and class S corresponds to an operating temperature range from – 65 °C to 200 °C.

4.2 Dimensions and mass

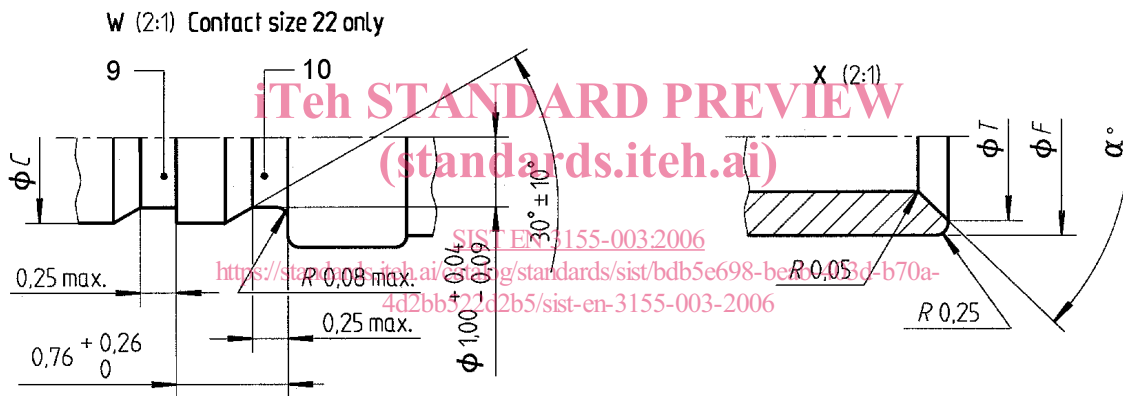
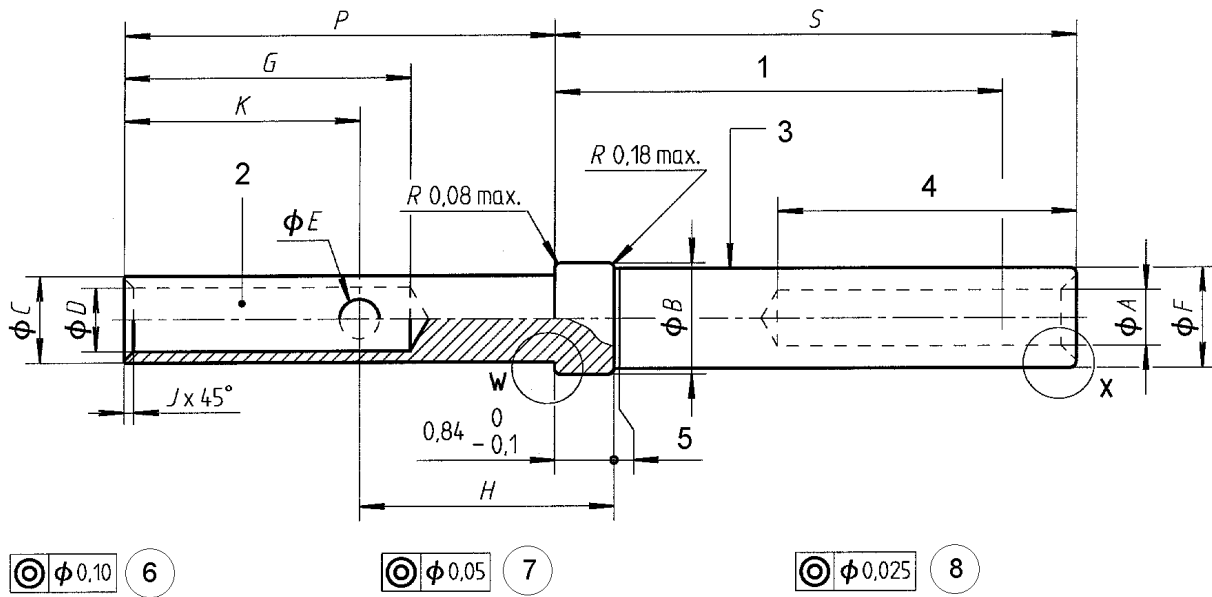
See Figure 1 and Table 1.

[SIST EN 3155-003:2006](https://standards.iteh.ai/catalog/standards/sist/bdb5e698-beab-403d-b70a-415750100000/en-3155-003-2005)

[https://standards.iteh.ai/catalog/standards/sist/bdb5e698-beab-403d-b70a-](https://standards.iteh.ai/catalog/standards/sist/bdb5e698-beab-403d-b70a-415750100000/en-3155-003-2005)

Dimensions and tolerances are given in millimetres and apply after surface treatment.

3) Published by: Department of Defense (DOD), the Pentagon, Washington D.C. 20301 USA.



Key

- | | |
|---|---|
| 1 6,30 min., see NOTE 1. | 6 \varnothing General concentricity |
| 2 Colour bands, see Table 2. | 7 $\varnothing A$ and $\varnothing C$: size 22 contact |
| 3 Manufacturer identification | 8 $\varnothing C$ and $\varnothing D$: other size contacts |
| 4 4,20 min., see NOTE 2. | 9 Identification groove (optional) |
| 5 0,15 max. for contact size 22, see NOTE 3.
0,25 max. for other contacts, see NOTE 3. | 10 Retention groove |

NOTE 1 Point at which a square ended gauge pin of the same diameter as the mating contact first engages the female contact spring member.

NOTE 2 This dimension represents both the length of the bore $\varnothing A$ which includes the active zone of protection (ref. EN 3155-001, 5.3.2).

NOTE 3 Clearance between sleeve and body of the contact

Figure 1

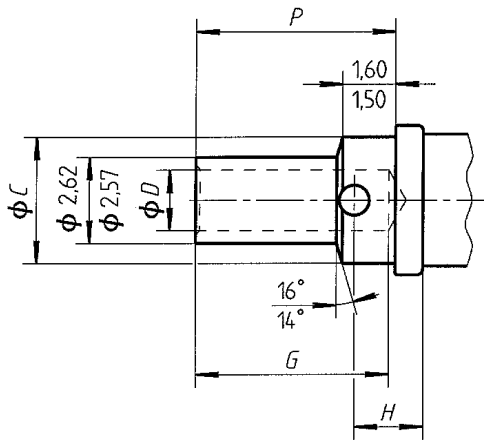


Figure 2 — Contact size 12, barrel size 14

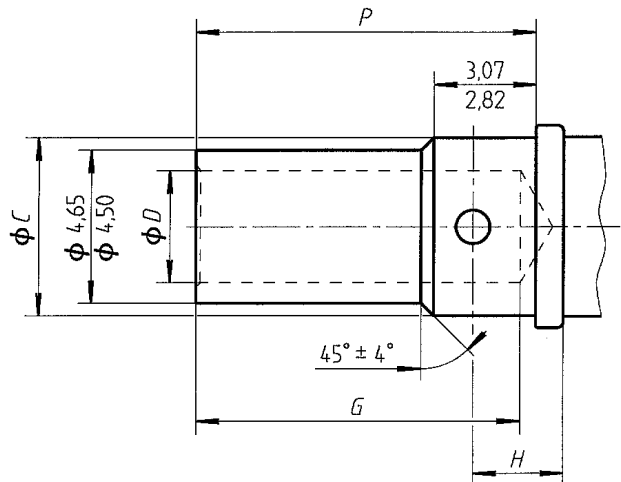
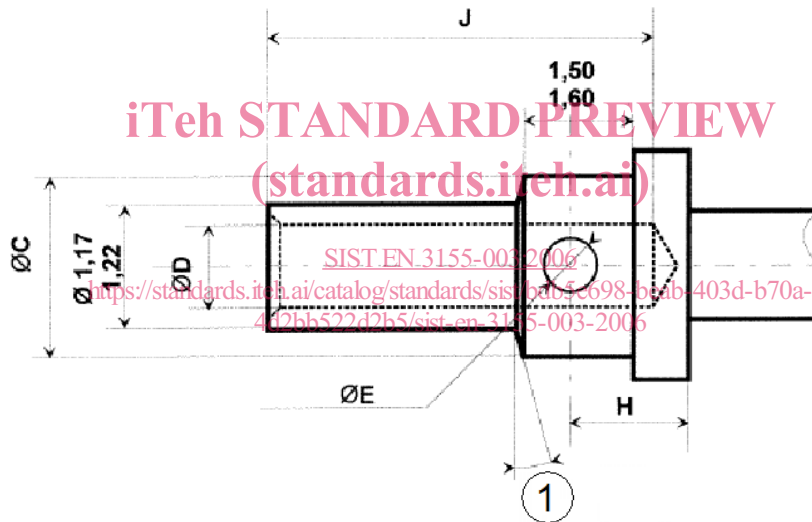


Figure 3 — Contact size 10



Key

- 1 14° to 16°

Figure 4 — Contact size 20, barrel size 22