



SLOVENSKI STANDARD
SIST EN 3230:2002
01-januar-2002

Aerospace series - Nuts, hexagon, slotted / castellated, reduced height, normal across flats, in steel, cadmium plated - Classification: 900 Mpa (at ambient temperature) / 235 oC

Aerospace series - Nuts, hexagon, slotted / castellated, reduced height, normal across flats, in steel, cadmium plated - Classification: 900 MPa (at ambient temperature) / 235 °C

Luft- und Raumfahrt - Flache Kronenmuttern mit normaler Schlüsselweite, aus Stahl, verkadmet - Klasse: 900 MPa (bei Raumtemperatur) / 235 °C

Série aérospatiale - Écrous hexagonaux à créneaux, hauteur réduite, surplats normaux, en acier, cadmiés - Classification: 900 MPa (à température ambiante) / 235 °C

Ta slovenski standard je istoveten z: EN 3230:2001

ICS:

49.030.30 Matice Nuts

SIST EN 3230:2002 en

iTeh STANDARD PREVIEW
(standards.iteh.ai)

SIST EN 3230:2002

<https://standards.iteh.ai/catalog/standards/sist/d4fe71db-71dd-484b-94e4-486aa14d7fd6/sist-en-3230-2002>

iTeh STANDARD PREVIEW
(standards.iteh.ai)

SIST EN 3230:2002

<https://standards.iteh.ai/catalog/standards/sist/d4fe71db-71dd-484b-94e4-486aa14d7fd6/sist-en-3230-2002>

iTeh STANDARD PREVIEW
(standards.iteh.ai)

SIST EN 3230:2002

<https://standards.iteh.ai/catalog/standards/sist/d4fe71db-71dd-484b-94e4-486aa14d7fd6/sist-en-3230-2002>

iTeh STANDARD PREVIEW
(standards.iteh.ai)

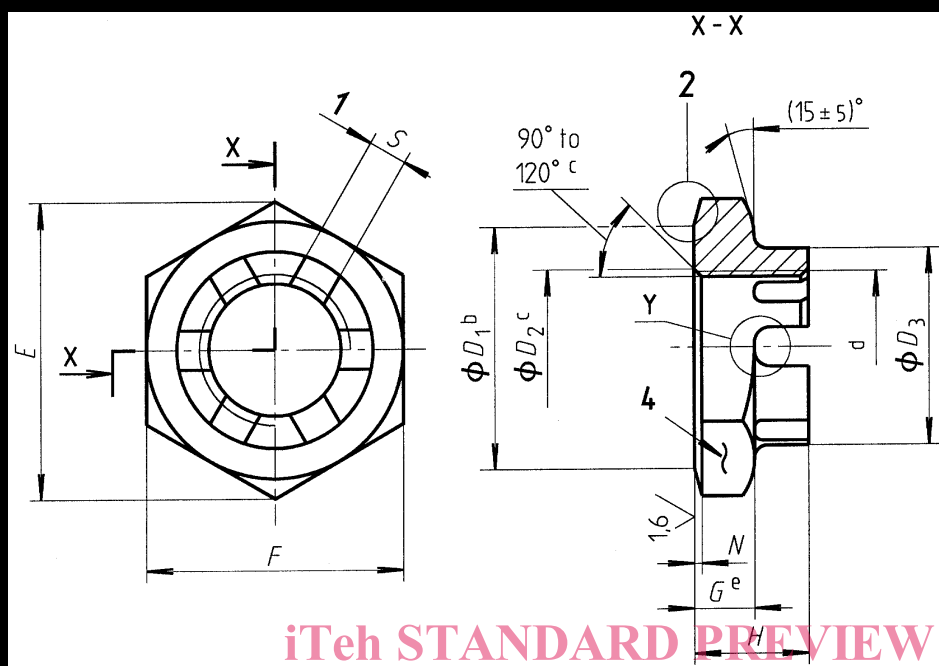
SIST EN 3230:2002

<https://standards.iteh.ai/catalog/standards/sist/d4fe71db-71dd-484b-94e4-486aa14d7fd6/sist-en-3230-2002>

iTeh STANDARD PREVIEW
(standards.iteh.ai)

SIST EN 3230:2002

<https://standards.iteh.ai/catalog/standards/sist/d4fe71db-71dd-484b-94e4-486aa14d7fd6/sist-en-3230-2002>



iTeh STANDARD PREVIEW
 (standards.iteh.ai)

SIST EN 3230:2002

<https://standards.iteh.ai/catalog/standards/sist/d4fe71db-71dd-484b-94e4-486aa14d7fd6/sist-en-3230-2002>

iTeh STANDARD PREVIEW
(standards.iteh.ai)

SIST EN 3230:2002

<https://standards.iteh.ai/catalog/standards/sist/d4fe71db-71dd-484b-94e4-486aa14d7fd6/sist-en-3230-2002>