



SLOVENSKI STANDARD SIST EN 60704-2-13:2001/A2:2009

01-januar-2009

; cgdcX]b'g_]]b'dcXcVb]`YY_f] b]'UdUfUj]'!`DfYg_i ýYj Ub]'_cX'nUi [cHj`Ub`Y nj c bY[U\ fi dUj`nfU_i '!&!% "XY. DcgYVbY'nU hYj Y'nU_i \]b'g_Y'bUdYf97 * \$+\$(!&!% .&\$\$\$#5 & &\$\$, Ł

Household and similar electrical appliances - Test code for the determination of airborne acoustical noise -- Part 2-13: Particular requirements for range hoods

Elektrische Geräte für den Hausgebrauch und ähnliche Zwecke - Prüfvorschrift für die Bestimmung der Luftschallemission -- Teil 2-13: Besondere Anforderungen für Dunstabzugshauben

Appareils électrodomestiques et analogues - Code d'essai pour la détermination du bruit aérien -- Partie 2-13: Règles particulières pour les hottes de cuisine

Ta slovenski standard je istoveten z: EN 60704-2-13:2000/A2:2008

ICS:

17.140.20	Emisija hrupa naprav in opreme	Noise emitted by machines and equipment
97.040.20	Emisija hrupa kuhinjskih aparatov in podobnih aparatov	Cooking ranges, working tables, ovens and similar appliances

SIST EN 60704-2-13:2001/A2:2009 en,fr,de

iTeh STANDARD PREVIEW
(standards.iteh.ai)

SIST EN 60704-2-13:2001/A2:2009

<https://standards.iteh.ai/catalog/standards/sist/c1654092-499d-4d43-a4d0-34ed000ef4c5/sist-en-60704-2-13-2001-a2-2009>

EUROPEAN STANDARD
NORME EUROPÉENNE
EUROPÄISCHE NORM

EN 60704-2-13/A2

September 2008

ICS 17.140.20; 97.040.20

English version

**Household and similar electrical appliances -
Test code for the determination of airborne acoustical noise -
Part 2-13: Particular requirements for range hoods
(IEC 60704-2-13:2000/A2:2008)**

Appareils électrodomestiques
et analogues -
Code d'essai pour la détermination
du bruit aérien -
Partie 2-13: Règles particulières
pour les hottes de cuisine
(CEI 60704-2-13:2000/A2:2008)

Elektrische Geräte für den Hausgebrauch
und ähnliche Zwecke -
Prüfvorschrift für die Bestimmung
der Luftschallemission -
Teil 2-13: Besondere Anforderungen
für Dunstabzugshauben
(IEC 60704-2-13:2000/A2:2008)

ITEH STANDARD PREVIEW
(standards.iteh.ai)

This amendment A2 modifies the European Standard EN 60704-2-13:2000; it was approved by CENELEC on 2008-07-01. CENELEC members are bound to comply with the CEN/CENELEC Internal Regulations which stipulate the conditions for giving this amendment the status of a national standard without any alteration.

Up-to-date lists and bibliographical references concerning such national standards may be obtained on application to the Central Secretariat or to any CENELEC member.

This amendment exists in three official versions (English, French, German). A version in any other language made by translation under the responsibility of a CENELEC member into its own language and notified to the Central Secretariat has the same status as the official versions.

CENELEC members are the national electrotechnical committees of Austria, Belgium, Bulgaria, Cyprus, the Czech Republic, Denmark, Estonia, Finland, France, Germany, Greece, Hungary, Iceland, Ireland, Italy, Latvia, Lithuania, Luxembourg, Malta, the Netherlands, Norway, Poland, Portugal, Romania, Slovakia, Slovenia, Spain, Sweden, Switzerland and the United Kingdom.

CENELEC

European Committee for Electrotechnical Standardization
Comité Européen de Normalisation Electrotechnique
Europäisches Komitee für Elektrotechnische Normung

Central Secretariat: rue de Stassart 35, B - 1050 Brussels

Foreword

The text of amendment 2:2008 to the International Standard IEC 60704-2-13:2000, prepared by IEC TC 59, Performance of household and similar electrical appliances, was submitted to the CENELEC formal vote and was approved by CENELEC as amendment A2 to EN 60704-2-13:2000 on 2008-07-01 without any modification.

The following dates were fixed:

- latest date by which the amendment has to be implemented at national level by publication of an identical national standard or by endorsement (dop) 2009-07-01
- latest date by which the national standards conflicting with the amendment have to be withdrawn (dow) 2011-07-01

Endorsement notice

The text of amendment 2:2008 to the International Standard IEC 60704-2-13:2000 was approved by CENELEC as an amendment to the European Standard without any modification.

iTeh STANDARD PREVIEW
(standards.iteh.ai)

SIST EN 60704-2-13:2001/A2:2009
<https://standards.iteh.ai/catalog/standards/sist/c1654092-499d-4d43-a4d0-34ed000ef4c5/sist-en-60704-2-13-2001-a2-2009>



IEC 60704-2-13

Edition 1.0 2008-03

INTERNATIONAL STANDARD

NORME INTERNATIONALE

AMENDMENT 2
AMENDEMENT 2

Household and similar electrical appliances – Test code for the determination of airborne acoustical noise –
Part 2-13: Particular requirements for range hoods

Appareils électrodomestiques et analogues – Code d'essai pour la détermination du bruit aérien –
Partie 2-13: Règles particulières pour les hottes de cuisine

INTERNATIONAL
ELECTROTECHNICAL
COMMISSION

COMMISSION
ELECTROTECHNIQUE
INTERNATIONALE

PRICE CODE
CODE PRIX

D

FOREWORD

This amendment has been prepared by IEC technical committee 59: Performance of household electrical appliances.

The text of this amendment is based on the following documents:

CDV	Report on voting
59/428/CDV	59/443A/RVC

Full information on the voting for the approval of this amendment can be found in the report on voting indicated in the above table.

The committee has decided that the contents of this amendment and the base publication will remain unchanged until the maintenance result date indicated on the IEC web site under "<http://webstore.iec.ch>" in the data related to the specific publication. At this date, the publication will be

- reconfirmed,
- withdrawn,
- replaced by a revised edition, or
- amended.

iTeh STANDARD PREVIEW
(standards.iteh.ai)

Page 9

INTRODUCTION

[SIST EN 60704-2-13:2001/A2:2009](https://standards.iteh.ai/catalog/standards/sist/c1654092-499d-4d43-a4d0-34ed000ef4c5/sist-en-60704-2-13-2001-a2-2009)

<https://standards.iteh.ai/catalog/standards/sist/c1654092-499d-4d43-a4d0-34ed000ef4c5/sist-en-60704-2-13-2001-a2-2009>

Delete last sentence.

Page 11

1.1.1 General

Add, at the end of the third paragraph of the replacement, the following new sentence:

It also applies to range hoods with an external fan.

Delete second dash of penultimate paragraph.

Page 13

1.3 Measurement uncertainty

Replace the second sentence of the second paragraph and Table 101 by the following new text and table:

The estimated values of standard deviations of sound power levels, determined according to this standard, are as indicated in Table 101.

Table 101 – Standard deviations of sound power levels

Standard deviation dB	
σ_r (repeatability)	σ_R (reproducibility)
0,4	1,0

Add the following new subclause:

1.101 Standard deviation for declaration and verification

For the purpose of determining and verifying declared noise emission values, according to IEC 60704-3, the values of standard deviations given in Table 102 apply.

Table 102 – Standard deviations for determination and verification

Standard deviation dB		
σ_p (production)	σ_t (total)	σ_M (reference)
1,5 – 1,7	1,8 – 2,0	2,0

iTeh STANDARD PREVIEW
(standards.iteh.ai)

3 Terms and definitions

Replace the existing definition 3.103 by the following new definition:
<https://standards.iteh.ai/catalog/standards/sist/c1654092-499d-4d43-a4d0-34ed000ef4c5/sist-en-60704-2-13-2001-a2-2009>

3.103 air-extraction range hood

range hood which discharges the collected air to another room or to the outside of the building by means of ducting

The range hood can incorporate an internal or external fan.

Page 17

6.4 Loading and operating of appliances during test

6.4.2 Replacement:

Add, after the third paragraph of the replacement, the following new paragraph:

Range hoods with an external fan shall be loaded with a pipe according to Figure 103. The muffler shall be provided with the appliance. If the manufacturer did not provide a muffler, the appliance is tested without muffler.

Page 19

Add the following new subclause:

6.5.101 Appliances with external fan

For range hoods with an external fan, the air inlet device shall be located and mounted as described in 6.5.1 to 6.5.5 for range hoods. The external fan shall be located in such a way that the noise emitted by the housing of the fan and by the air outlet does not influence the measurement result.

Page 21

8 Calculation of sound intensity and sound power levels

Replace the existing text of this clause with the following:

This clause of Part 1 is applicable except as follows:

8.1 Addition after last paragraph:

Noise emitted by the housing or the air outlet of an external fan shall be considered as background noise.

iTeh STANDARD PREVIEW
(standards.iteh.ai)

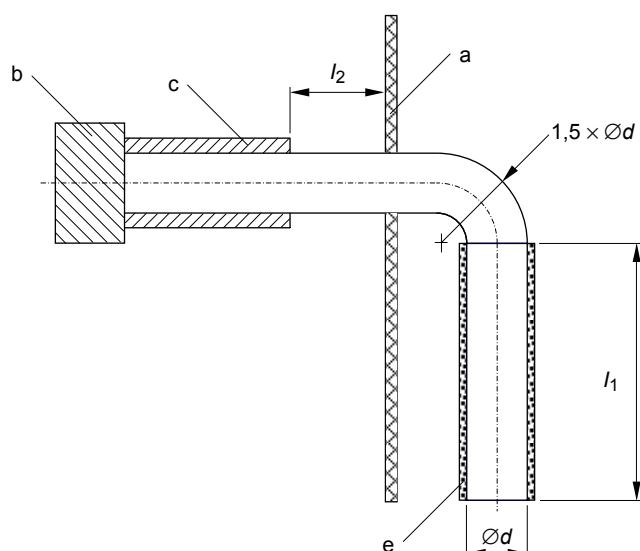
Page 25

Figures

SIST EN 60704-2-13:2001/A2:2009

<https://standards.iteh.ai/catalog/standards/sist/c1654092-499d-4d43-a4d0-34ed000ef4c5/sist-en-60704-2-13-2001-a2-2009>

Add the following new figure:



- a wall
- b external fan
- c muffer according to the manufacturing instructions, if a muffer is provided
- d the connections shall not interfere with the air flow to avoid any additional noise or any additional pressure drop
- e pipe

IEC 362/08 $l_1 + l_2 = 2\ 000\ \text{mm}$

Figure 103 – Standard load for range hoods with an external fan