

INTERNATIONAL STANDARD

NORME INTERNATIONALE



**Winding wires – Test methods –
Part 2: Determination of dimensions**

**Fils de bobinage – Méthodes d'essai –
Partie 2: Détermination des dimensions**

[IEC 60851-2:2009](https://standards.iteh.ai/catalog/standards/iec/8f8d11f3-b443-4b19-bd67-c0bdaa8004e3/iec-60851-2-2009)

<https://standards.iteh.ai/catalog/standards/iec/8f8d11f3-b443-4b19-bd67-c0bdaa8004e3/iec-60851-2-2009>





THIS PUBLICATION IS COPYRIGHT PROTECTED

Copyright © 2015 IEC, Geneva, Switzerland

All rights reserved. Unless otherwise specified, no part of this publication may be reproduced or utilized in any form or by any means, electronic or mechanical, including photocopying and microfilm, without permission in writing from either IEC or IEC's member National Committee in the country of the requester. If you have any questions about IEC copyright or have an enquiry about obtaining additional rights to this publication, please contact the address below or your local IEC member National Committee for further information.

Droits de reproduction réservés. Sauf indication contraire, aucune partie de cette publication ne peut être reproduite ni utilisée sous quelque forme que ce soit et par aucun procédé, électronique ou mécanique, y compris la photocopie et les microfilms, sans l'accord écrit de l'IEC ou du Comité national de l'IEC du pays du demandeur. Si vous avez des questions sur le copyright de l'IEC ou si vous désirez obtenir des droits supplémentaires sur cette publication, utilisez les coordonnées ci-après ou contactez le Comité national de l'IEC de votre pays de résidence.

IEC Central Office
3, rue de Varembe
CH-1211 Geneva 20
Switzerland

Tel.: +41 22 919 02 11
Fax: +41 22 919 03 00
info@iec.ch
www.iec.ch

About the IEC

The International Electrotechnical Commission (IEC) is the leading global organization that prepares and publishes International Standards for all electrical, electronic and related technologies.

About IEC publications

The technical content of IEC publications is kept under constant review by the IEC. Please make sure that you have the latest edition, a corrigenda or an amendment might have been published.

IEC Catalogue - webstore.iec.ch/catalogue

The stand-alone application for consulting the entire bibliographical information on IEC International Standards, Technical Specifications, Technical Reports and other documents. Available for PC, Mac OS, Android Tablets and iPad.

IEC publications search - www.iec.ch/searchpub

The advanced search enables to find IEC publications by a variety of criteria (reference number, text, technical committee,...). It also gives information on projects, replaced and withdrawn publications.

IEC Just Published - webstore.iec.ch/justpublished

Stay up to date on all new IEC publications. Just Published details all new publications released. Available online and also once a month by email.

Electropedia - www.electropedia.org

The world's leading online dictionary of electronic and electrical terms containing more than 30 000 terms and definitions in English and French, with equivalent terms in 15 additional languages. Also known as the International Electrotechnical Vocabulary (IEV) online.

IEC Glossary - std.iec.ch/glossary

More than 60 000 electrotechnical terminology entries in English and French extracted from the Terms and Definitions clause of IEC publications issued since 2002. Some entries have been collected from earlier publications of IEC TC 37, 77, 86 and CISPR.

IEC Customer Service Centre - webstore.iec.ch/csc

If you wish to give us your feedback on this publication or need further assistance, please contact the Customer Service Centre: csc@iec.ch.

A propos de l'IEC

La Commission Electrotechnique Internationale (IEC) est la première organisation mondiale qui élabore et publie des Normes internationales pour tout ce qui a trait à l'électricité, à l'électronique et aux technologies apparentées.

A propos des publications IEC

Le contenu technique des publications IEC est constamment revu. Veuillez vous assurer que vous possédez l'édition la plus récente, un corrigendum ou amendement peut avoir été publié.

Catalogue IEC - webstore.iec.ch/catalogue

Application autonome pour consulter tous les renseignements bibliographiques sur les Normes internationales, Spécifications techniques, Rapports techniques et autres documents de l'IEC. Disponible pour PC, Mac OS, tablettes Android et iPad.

Recherche de publications IEC - www.iec.ch/searchpub

La recherche avancée permet de trouver des publications IEC en utilisant différents critères (numéro de référence, texte, comité d'études,...). Elle donne aussi des informations sur les projets et les publications remplacées ou retirées.

IEC Just Published - webstore.iec.ch/justpublished

Restez informé sur les nouvelles publications IEC. Just Published détaille les nouvelles publications parues. Disponible en ligne et aussi une fois par mois par email.

Electropedia - www.electropedia.org

Le premier dictionnaire en ligne de termes électroniques et électriques. Il contient plus de 30 000 termes et définitions en anglais et en français, ainsi que les termes équivalents dans 15 langues additionnelles. Egalement appelé Vocabulaire Electrotechnique International (IEV) en ligne.

Glossaire IEC - std.iec.ch/glossary

Plus de 60 000 entrées terminologiques électrotechniques, en anglais et en français, extraites des articles Termes et Définitions des publications IEC parues depuis 2002. Plus certaines entrées antérieures extraites des publications des CE 37, 77, 86 et CISPR de l'IEC.

Service Clients - webstore.iec.ch/csc

Si vous désirez nous donner des commentaires sur cette publication ou si vous avez des questions contactez-nous: csc@iec.ch.



IEC 60851-2

Edition 3.1 2015-05
CONSOLIDATED VERSION

INTERNATIONAL STANDARD

NORME INTERNATIONALE



**Winding wires – Test methods –
Part 2: Determination of dimensions**

**Fils de bobinage – Méthodes d'essai –
Partie 2: Détermination des dimensions**

<https://standards.iteh.ai/>

<https://standards.iteh.ai/catalog/standards/iec/8f8d11f3-b443-4b19-bd67-c0bdaa8004e3/iec-60851-2-2009>

INTERNATIONAL
ELECTROTECHNICAL
COMMISSION

COMMISSION
ELECTROTECHNIQUE
INTERNATIONALE

ICS 29.060.10

ISBN 978-2-8322-2703-9

**Warning! Make sure that you obtained this publication from an authorized distributor.
Attention! Veuillez vous assurer que vous avez obtenu cette publication via un distributeur agréé.**

REDLINE VERSION

VERSION REDLINE



**Winding wires – Test methods –
Part 2: Determination of dimensions**

**Fils de bobinage – Méthodes d'essai –
Partie 2: Détermination des dimensions**

[IEC 60851-2:2009](https://standards.iteh.ai/catalog/standards/iec/8f8d11f3-b443-4b19-bd67-c0bdaa8004e3/iec-60851-2-2009)

<https://standards.iteh.ai/catalog/standards/iec/8f8d11f3-b443-4b19-bd67-c0bdaa8004e3/iec-60851-2-2009>



CONTENTS

FOREWORD.....	3
INTRODUCTION.....	5
1 Scope.....	6
2 Normative references	6
3 Test 4: Dimensions.....	6
3.1 Equipment.....	6
3.1.1 Round and rectangular wire.....	6
3.1.2 Bunched wire.....	7
3.2 Procedure	7
3.2.1 Conductor dimension.....	7
3.2.2 Out-of-roundness of the conductor	8
3.2.3 Rounding of corners of rectangular wire	8
3.2.4 Increase in dimension due to the insulation	8
3.2.5 Overall dimension.....	9
3.2.6 Increase in diameter due to the bonding layer of enamelled round wire	10
Annex A (informative)	11
Figure 1 – Conical mandrel.....	10
Table 1 – Types of winding wires.....	6
Table 1a – Enamelled round wire.....	6
Table 1b – All the types of winding wires except enamelled round wire	7
Table 1c – Paper covered wire.....	7
Table 2 – Determination of the conductor diameter	9
Table A.1 – Relationship between force, pressure, anvil diameter and rectangular wire surface	11

INTERNATIONAL ELECTROTECHNICAL COMMISSION

**WINDING WIRES –
TEST METHODS –****Part 2: Determination of dimensions**

FOREWORD

- 1) The International Electrotechnical Commission (IEC) is a worldwide organization for standardization comprising all national electrotechnical committees (IEC National Committees). The object of IEC is to promote international co-operation on all questions concerning standardization in the electrical and electronic fields. To this end and in addition to other activities, IEC publishes International Standards, Technical Specifications, Technical Reports, Publicly Available Specifications (PAS) and Guides (hereafter referred to as "IEC Publication(s)"). Their preparation is entrusted to technical committees; any IEC National Committee interested in the subject dealt with may participate in this preparatory work. International, governmental and non-governmental organizations liaising with the IEC also participate in this preparation. IEC collaborates closely with the International Organization for Standardization (ISO) in accordance with conditions determined by agreement between the two organizations.
- 2) The formal decisions or agreements of IEC on technical matters express, as nearly as possible, an international consensus of opinion on the relevant subjects since each technical committee has representation from all interested IEC National Committees.
- 3) IEC Publications have the form of recommendations for international use and are accepted by IEC National Committees in that sense. While all reasonable efforts are made to ensure that the technical content of IEC Publications is accurate, IEC cannot be held responsible for the way in which they are used or for any misinterpretation by any end user.
- 4) In order to promote international uniformity, IEC National Committees undertake to apply IEC Publications transparently to the maximum extent possible in their national and regional publications. Any divergence between any IEC Publication and the corresponding national or regional publication shall be clearly indicated in the latter.
- 5) IEC itself does not provide any attestation of conformity. Independent certification bodies provide conformity assessment services and, in some areas, access to IEC marks of conformity. IEC is not responsible for any services carried out by independent certification bodies.
- 6) All users should ensure that they have the latest edition of this publication.
- 7) No liability shall attach to IEC or its directors, employees, servants or agents including individual experts and members of its technical committees and IEC National Committees for any personal injury, property damage or other damage of any nature whatsoever, whether direct or indirect, or for costs (including legal fees) and expenses arising out of the publication, use of, or reliance upon, this IEC Publication or any other IEC Publications.
- 8) Attention is drawn to the Normative references cited in this publication. Use of the referenced publications is indispensable for the correct application of this publication.
- 9) Attention is drawn to the possibility that some of the elements of this IEC Publication may be the subject of patent rights. IEC shall not be held responsible for identifying any or all such patent rights.

This consolidated version of the official IEC Standard and its amendment has been prepared for user convenience.

IEC 60851-2 edition 3.1 contains the third edition (2009-09) [documents 55/1144/FDIS and 55/1163/RVD] and its amendment 1 (2015-05) [documents 55/1520/FDIS and 55/1526/RVD].

In this Redline version, a vertical line in the margin shows where the technical content is modified by amendment 1. Additions and deletions are displayed in red, with deletions being struck through. A separate Final version with all changes accepted is available in this publication.

International Standard IEC 60851-2 has been prepared by IEC technical committee 55: Winding wires.

This third edition constitutes a technical revision.

Technical revisions of note include recognition of the use of optical micrometers in determining the dimensions of round and rectangular enamelled wire.

This publication has been drafted in accordance with the ISO/IEC Directives, Part 2.

A list of all the parts in the IEC 60851 series, under the general title *Winding wires – Test methods*, can be found on the IEC website.

The committee has decided that the contents of the base publication and its amendment will remain unchanged until the stability date indicated on the IEC web site under "http://webstore.iec.ch" in the data related to the specific publication. At this date, the publication will be

- reconfirmed,
- withdrawn,
- replaced by a revised edition, or
- amended.

iTeh Standards

IMPORTANT – The 'colour inside' logo on the cover page of this publication indicates that it contains colours which are considered to be useful for the correct understanding of its contents. Users should therefore print this document using a colour printer.

[IEC 60851-2:2009](https://standards.iteh.ai/catalog/standards/iec/8f8d11f3-b443-4b19-bd67-c0bdaa8004e3/iec-60851-2-2009)

<https://standards.iteh.ai/catalog/standards/iec/8f8d11f3-b443-4b19-bd67-c0bdaa8004e3/iec-60851-2-2009>

INTRODUCTION

This part of IEC 60851 forms an element of a series of standards which deals with insulated wires used for windings in electrical equipment. The series has three groups describing

- a) methods of test (IEC 60851);
- b) specifications (IEC 60317);
- c) packaging (IEC 60264).

iTeh Standards
(<https://standards.iteh.ai>)
Document Preview

[IEC 60851-2:2009](https://standards.iteh.ai/catalog/standards/iec/8f8d11f3-b443-4b19-bd67-c0bdaa8004e3/iec-60851-2-2009)

<https://standards.iteh.ai/catalog/standards/iec/8f8d11f3-b443-4b19-bd67-c0bdaa8004e3/iec-60851-2-2009>

WINDING WIRES – TEST METHODS –

Part 2: Determination of dimensions

1 Scope

This part of IEC 60851 specifies the following method of test:

- Test 4: Dimensions.

For definitions, general notes on methods of test and the complete series of methods of test for winding wires, see IEC 60851-1.

2 Normative references

The following referenced documents are indispensable for the application of this document. For dated references, only the edition cited applies. For undated references, the latest edition of the referenced document (including any amendments) applies.

IEC 60851-1, *Winding wires – Test methods – Part 1: General*

IEC 60851-5:2008, *Winding wires – Test methods – Part 5: Electrical properties*

3 Test 4: Dimensions

3.1 Equipment

[IEC 60851-2:2009](https://standards.iteh.ai/catalog/standards/iec/8f8d11f3-b443-4b19-bd67-c0bdaa8004e3/iec-60851-2-2009)

<https://standards.iteh.ai/catalog/standards/iec/8f8d11f3-b443-4b19-bd67-c0bdaa8004e3/iec-60851-2-2009>

3.1.1 Round and rectangular wire

The equipment used shall have a resolution of 2 μm or less for wires over 0,200 mm and for wires up to and including 0,200 mm, a resolution of 1 μm or less. Both mechanical contact and optical non-contact micrometers may be used. If mechanical contact micrometers are used, the ratio of measuring force and anvil diameter shall be in accordance with the range as given in Table 1a and Table 1b. The diameter range of the spindle and anvil is also given in Table 1a and Table 1b. If optical micrometers are used, the average of the readings shall be recorded as the diameter of the conductor. If a specific measuring equipment must be used, it shall be agreed upon between the customer and the supplier.

Table 1 – Types of winding wires

Table 1a – Enamelled round wire

Type of winding wire	Nominal conductor diameter mm	Anvil diameter mm	Measuring force(N)/anvil diameter(mm) = P(N/mm)
Enamelled round wire	≤ 0,100	2 to 8	0,01 ≤ P ≤ 0,16
	0,100 < d ≤ 0,45	5 to 8	0,16 < P ≤ 0,32
	> 0,45	5 to 8	0,32 < P ≤ 0,80

Table 1b – All the types of winding wires except enamelled round wire

Type of winding wire	Nominal conductor diameter mm	Anvil diameter mm	Measuring force N
Enamelled rectangular and tape wrapped rectangular wire	-	5 to 8	4 to 10 2 to 4
Film tape wrapped round wire	≥ 0,100	5 to 8	1 to 8 2 to 4
Film tape wrapped rectangular wire	-	5 to 8	2 to 4
Fibrous covered wire	-	5 to 8	4 to 10 2 to 4
Paper covered wire	-	5 to 8	8 to 14

Table 1c – Paper covered wire

Type of winding wire	Nominal conductor diameter mm	Anvil diameter mm	Measuring pressure N/mm ²
Paper covered wire	-	5 to 8	1 to 2

For paper covered rectangular wire, a measuring pressure is considered more appropriate instead of a measuring force. Annex A provides for information a table with the relationship between force and pressure for a typical measuring range.

3.1.2 Bunched wire

The measurement shall be made with a polished conical mandrel having dimensions as shown in Figure 1.

3.2 Procedure

3.2.1 Conductor dimension

3.2.1.1 Round wire

NOTE See Table 2.

3.2.1.1.1 Nominal conductor diameter over 0,063 mm and up to and including 0,200 mm

From a straight piece of wire the insulation shall be removed at three places, 1 m apart, by any method that does not damage the conductor. One measurement shall be made at these three places.

The three single values shall be reported. The mean value represents the conductor diameter.

3.2.1.1.2 Nominal conductor diameter over 0,200 mm

From a straight piece of wire, the insulation shall be removed by any method that does not damage the conductor. Three measurements of the bare conductor diameter shall be made at points evenly distributed around the circumference of the conductor.

The three single values shall be reported. The mean value represents the conductor diameter.

3.2.1.2 Rectangular wire

The insulation shall be removed at the three places used for measurements in 3.2.5.2 by any method that does not damage the conductor. At each place one measurement of the two dimensions of the conductor shall be made.

The three single values shall be reported for each dimension of the conductor. The mean represents the conductor width or the conductor thickness respectively.

3.2.2 Out-of-roundness of the conductor

Out-of-roundness is the maximum value of the difference between the three readings if measured in accordance with 3.2.1.1.1, or the three readings of the conductor diameter at the cross-section if measured in accordance with 3.2.1.1.2. The out-of-roundness shall be reported.

3.2.3 Rounding of corners of rectangular wire

For the purpose of this test, a cross-section of the wire shall be prepared and then examined under a sufficient magnification.

Three straight pieces of wire shall be cast in a suitable resinous compound that will not affect the insulation. After curing, the colour of the resinous compound shall contrast with the colour of the insulation.

The specimen consisting of the three pieces of wire embedded in the cured resinous compound shall be cut at right angles to the length of the wire pieces, and the cross-section shall be carefully ground and polished by suitable means. The polished surface shall be examined under a magnification which allows a correct judgement of the rounding of corners.

It shall be reported how the arc merges into the flat surface of the conductor. Any sharp, rough and projecting edges shall also be reported.

3.2.4 Increase in dimension due to the insulation

3.2.4.1 General

The increase in dimension due to the insulation is the difference between the overall dimension and the conductor dimension.

3.2.4.2 Round wire

The measurement shall be made in accordance with 3.2.1.1 and 3.2.5.1. The difference between the overall diameter and the conductor diameter shall be reported as the increase in diameter.

3.2.4.3 Rectangular wire

The measurement shall be made in accordance with 3.2.1.2 and 3.2.5.2. The difference between the overall width and the conductor width shall be reported as the increase in width. The difference between the overall thickness and the conductor thickness shall be reported as the increase in thickness.

3.2.5 Overall dimension

3.2.5.1 Round wire

3.2.5.1.1 Nominal diameter up to and including 0,200 mm

On a straight piece of wire, at three places 1 m apart, one measurement of the overall diameter shall be made.

The three single values shall be reported. The mean value represents the overall diameter.

3.2.5.1.2 Nominal conductor diameter over 0,200 mm

On a straight piece of wire, at each of two places 1 m apart, three measurements of the overall diameter shall be made at points evenly distributed around the circumference of the wire.

The six single values shall be reported. The mean value represents the overall diameter.

For determination of the conductor diameter as given in the relevant standards, the following applies:

Table 2 – Determination of the conductor diameter

Nominal conductor diameter	Measurement	Clause
$d \leq 0,063$ mm	Resistance	3 of IEC 60851-5
$d > 0,063$ mm	Dimension	3.2.1.1

NOTE By agreement between purchaser and supplier, resistance measurements may be made in the range of nominal conductor diameters over 0,063 mm and up to and including 1,000 mm.

<https://standards.iteh.ai/catalog/standards/iec/8f8d11f3-b443-4b19-bd67-c0bdaa8004e3/iec-60851-2-2009>

<https://standards.iteh.ai/catalog/standards/iec/8f8d11f3-b443-4b19-bd67-c0bdaa8004e3/iec-60851-2-2009>

3.2.5.2 Rectangular wire

On a straight piece of wire at each of three places at least 100 mm apart, one measurement shall be made of the two dimensions of the wire. Where the dimension of the specimen is greater than the diameter of the micrometer spindle, measurements shall be made both at the centre of the face of the specimen and over the edges. If these values differ, only the highest value shall be noted.

The three single values shall be reported for each dimension of the wire. The mean values represent the overall width or the overall thickness respectively.

3.2.5.3 Bunched wire

NOTE The method indicated below gives useful values in practice, but not an accurate overall diameter.

The overall diameter is the width of a layer wound on a mandrel divided by the number of turns. The bunched wire shall be wound closely on a mandrel according to Figure 1 and under a tension in newtons, which is 65 times the total nominal cross-section of the conductors in square millimetres. The width of the layer shall be not less than 10 mm for bunched wires with overall diameters up to and including 0,5 mm, and be not less than 20 mm for larger diameters and shall be measured with a precision of 0,5 mm.

One measurement shall be made. The overall diameter rounded off to 0,01 mm shall be reported.

3.2.6 Increase in diameter due to the bonding layer of enamelled round wire

The increase in diameter due to the bonding layer is the difference of the overall diameter with and without the bonding layer.

The overall diameter of the wire shall be measured according to 3.2.5.1. After removal of the bonding layer by means of a solvent or any other suitable agent or by any other method which does not damage the underlying coating, the measurement shall be repeated. The difference of the two mean values shall be reported as the increase in diameter due to the bonding layer.

Dimensions in millimetres

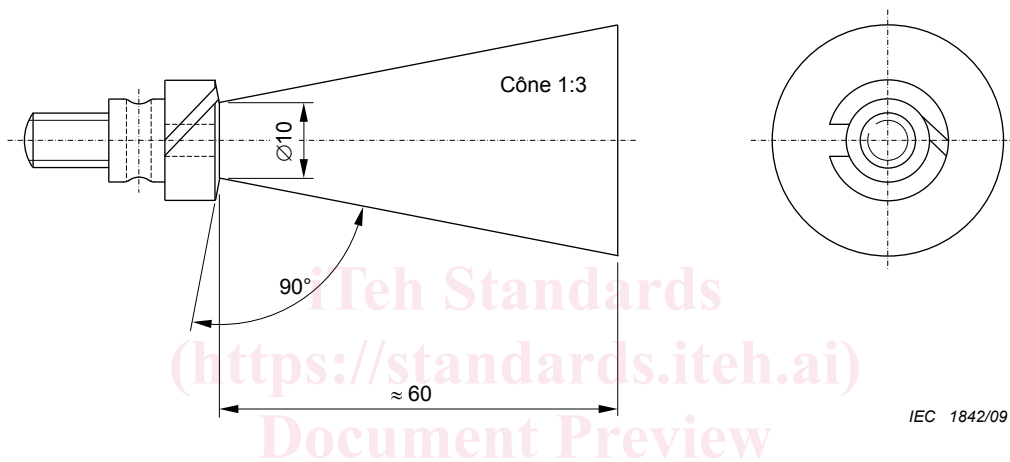


Figure 1 – Conical mandrel

<https://standards.iteh.ai/>

<https://standards.iteh.ai/catalog/standards/iec/8f8d11f3-b443-4b19-bd67-c0bdaa8004e3/iec-60851-2-2009>