

---

# International Standard



# 9437

---

INTERNATIONAL ORGANIZATION FOR STANDARDIZATION • МЕЖДУНАРОДНАЯ ОРГАНИЗАЦИЯ ПО СТАНДАРТИЗАЦИИ • ORGANISATION INTERNATIONALE DE NORMALISATION

---

## Shipbuilding — Inland vessels — Matrosov anchors

*Construction navale — Bateaux de navigation intérieure — Ancres Matrosov*

First edition — 1986-12-01

**iTeh STANDARD PREVIEW**  
**(standards.iteh.ai)**

[ISO 9437:1986](https://standards.iteh.ai/catalog/standards/sist/a43857fc-5829-41b4-9e1c-9d76adb576be/iso-9437-1986)

<https://standards.iteh.ai/catalog/standards/sist/a43857fc-5829-41b4-9e1c-9d76adb576be/iso-9437-1986>

---

UDC 629.122.015.64

Ref. No. ISO 9437-1986 (E)

Descriptors : shipbuilding, inland navigation, ship anchors, dimensions, mass, specifications.

## Foreword

ISO (the International Organization for Standardization) is a worldwide federation of national standards bodies (ISO member bodies). The work of preparing International Standards is normally carried out through ISO technical committees. Each member body interested in a subject for which a technical committee has been established has the right to be represented on that committee. International organizations, governmental and non-governmental, in liaison with ISO, also take part in the work.

Draft International Standards adopted by the technical committees are circulated to the member bodies for approval before their acceptance as International Standards by the ISO Council. They are approved in accordance with ISO procedures requiring at least 75 % approval by the member bodies voting.

International Standard ISO 9437 was prepared by Technical Committee ISO/TC 8, *Shipbuilding and marine structures*.

This first edition cancels and replaces ISO 4050/2-1980, of which it constitutes a minor revision.

<https://standards.iteh.ai/catalog/standards/sist/a43857fc-5829-41b4-9e1c-9d76adb576be/iso-9437-1986>

Users should note that all International Standards undergo revision from time to time and that any reference made herein to any other International Standard implies its latest edition, unless otherwise stated.

# Shipbuilding — Inland vessels — Matrosov anchors

**iTeh STANDARD PREVIEW**  
**(standards.iteh.ai)**

## 1 Scope and field of application

This International Standard specifies the technical characteristics and dimensions of Matrosov anchors used in inland vessels.

## 2 Classification

Depending on the method of manufacture, Matrosov anchors fall into two types :

Type A — cast steel

Type B — welded

## 3 Technical characteristics and dimensions

The technical characteristics and dimensions of Matrosov anchors are given in figures 1 and 2 and tables 1 and 2.

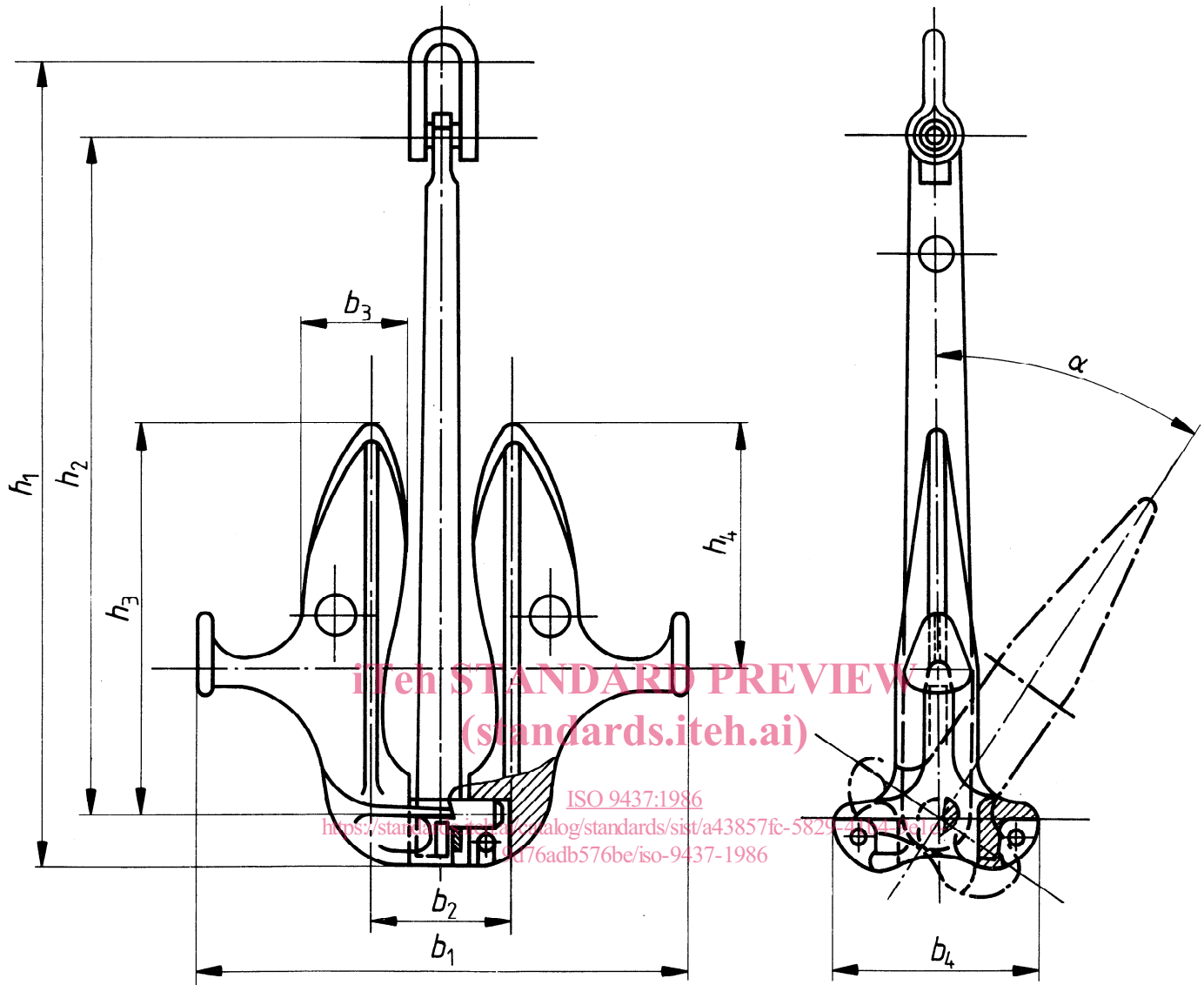


Figure 1 — Matrosov anchor, type A

Table 1 — Matrosov anchor, type A

Dimensions in millimetres

Mass kg	$b_1$	$b_2$	$b_3$	$b_4$	$h_1$	$h_2$	$h_3$	$h_4$	$\alpha$ degrees (°)
50	680	170	156	250	1 045	840	480	320	30 to 32
75	770	190	165	270	1 175	950	540	360	
100	830	210	175	290	1 290	1 060	590	395	
125	870	226	186	310	1 380	1 130	630	420	
150	910	242	199	330	1 450	1 190	670	445	
200	980	270	203	370	1 585	1 300	740	495	
250	1 040	294	217	400	1 700	1 390	800	535	33 to 37
300	1 090	312	239	430	1 820	1 480	850	565	
400	1 190	342	259	480	2 005	1 630	930	620	
500	1 280	366	285	520	2 165	1 750	1 000	665	
750	1 450	418	331	590	2 455	2 000	1 140	756	
1 000	1 570	452	355	630	2 670	2 170	1 240	825	
1 250	1 660	488	372	660	2 820	2 280	1 300	865	
1 500	1 715	515	381	675	2 950	2 370	1 350	898	

NOTE — Tolerances of  $\pm 3\%$  on general dimensions and  $\pm \frac{12}{4}\%$  on mass are allowed by agreement with classification societies.

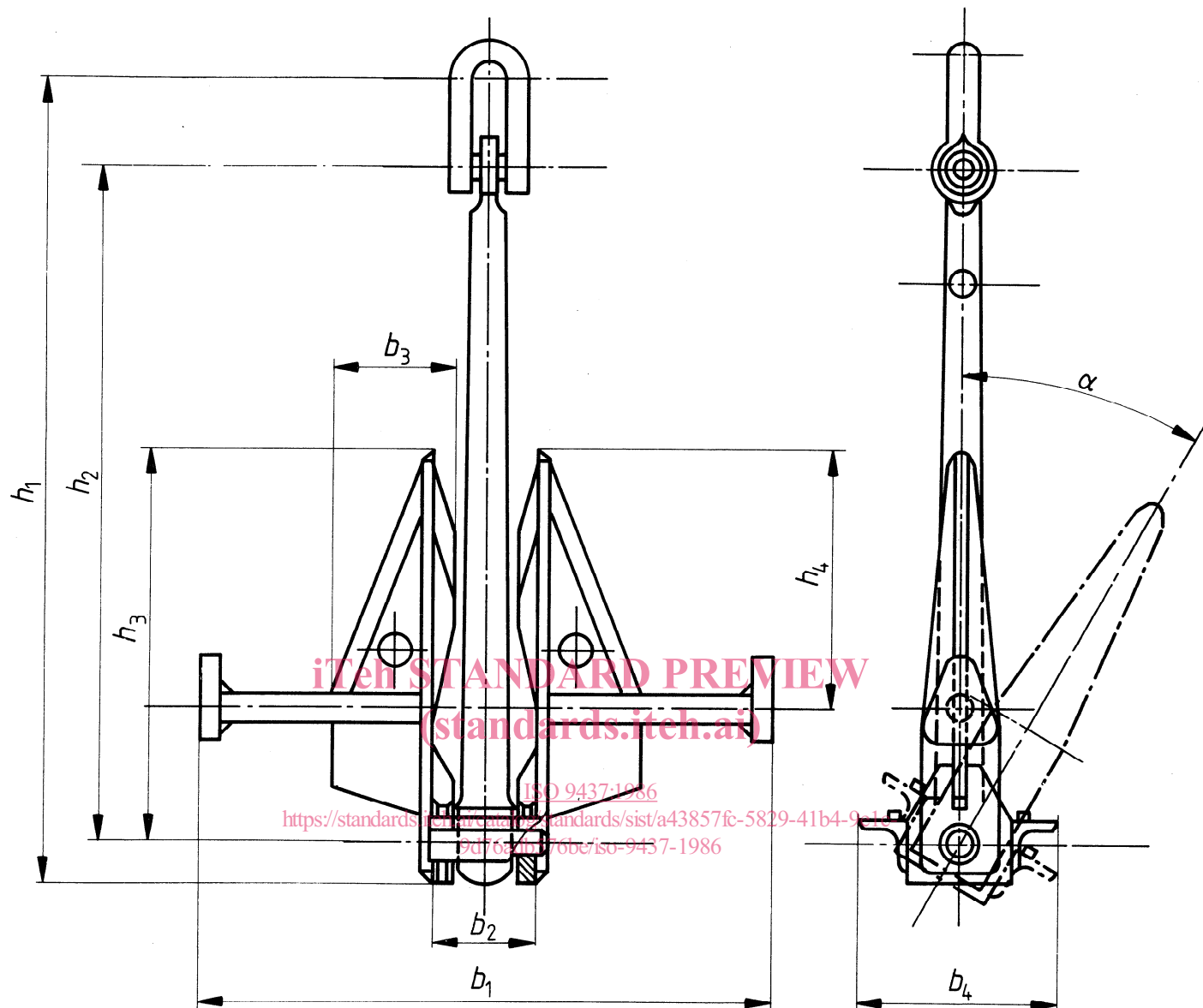


Figure 2 — Matrosov anchor, type B

Table 2 — Matrosov anchor, type B

Dimensions in millimetres

Mass kg	$b_1$	$b_2$	$b_3$	$b_4$	$h_1$	$h_2$	$h_3$	$h_4$	$\alpha$ degrees (°)
25	570	110	120	190	840	690	385	255	28 to 30
50	680	136	142	255	1 045	840	480	320	30 to 32
75	770	160	166	270	1 180	950	540	360	
100	830	174	180	302	1 300	1 060	590	395	

NOTE — Tolerances of  $\pm 3\%$  on general dimensions and  $\pm \frac{12}{4}\%$  on mass are allowed by agreement with classification societies.

**iTeh STANDARD PREVIEW**  
**(standards.iteh.ai)**

This page intentionally left blank

[ISO 9437:1986](#)

<https://standards.iteh.ai/catalog/standards/sist/a43857fc-5829-41b4-9e1c-9d76adb576be/iso-9437-1986>

**iTeh STANDARD PREVIEW**  
**(standards.iteh.ai)**

This page intentionally left blank

[ISO 9437:1986](#)

<https://standards.iteh.ai/catalog/standards/sist/a43857fc-5829-41b4-9e1c-9d76adb576be/iso-9437-1986>

**iTeh STANDARD PREVIEW**  
**(standards.iteh.ai)**

This page intentionally left blank

ISO 9437:1986

<https://standards.iteh.ai/catalog/standards/sist/a43857fc-5829-41b4-9e1c-9d76adb576be/iso-9437-1986>