



**SLOVENSKI STANDARD**  
**SIST EN 3425:2009**

**01-september-2009**

---

5 YfcbUj h\_U!`A YfY'nUfYn'nUbclfUb^Yj Ufcj UbY'cVfc Y'n'fUX]Ubc`bUa Yghlj ]t

Aerospace series - Groove dimensions for axial mouting internal type retaining rings

Luft-und Raumfahrt - Nuten für axial in Bohrungen montierbare Sicherungsringe, Maße

Série aérospatiale - Dimensions des gorges pour anneaux d'arrêt, type intérieur, à montage axial

**(standards.iteh.ai)**

**Ta slovenski standard je istoveten z: EN 3425:2006**

<https://standards.iteh.ai/catalog/standards/sist/c2ac2894-c230-40c5-9920-41df923db1bb/sist-en-3425-2009>

**ICS:**

49.030.99      Drugi vezni elementi      Other fasteners

**SIST EN 3425:2009**

**en,de**

**iTeh STANDARD PREVIEW**  
**(standards.iteh.ai)**

SIST EN 3425:2009

<https://standards.iteh.ai/catalog/standards/sist/c2ac2894-c230-40c5-9920-41df923db1bb/sist-en-3425-2009>

EUROPEAN STANDARD  
NORME EUROPÉENNE  
EUROPÄISCHE NORM

**EN 3425**

June 2006

ICS 49.030.99

English Version

## Aerospace series - Groove dimensions for axial mouting internal type retaining rings

Série aérospatiale - Dimensions des gorges pour anneaux d'arrêt, type intérieur, à montage axial

Luft-und Raumfahrt - Nuten für axial auf Wellen montierbare Sicherungsringe Maße

This European Standard was approved by CEN on 20 April 2006.

CEN members are bound to comply with the CEN/CENELEC Internal Regulations which stipulate the conditions for giving this European Standard the status of a national standard without any alteration. Up-to-date lists and bibliographical references concerning such national standards may be obtained on application to the Central Secretariat or to any CEN member.

This European Standard exists in three official versions (English, French, German). A version in any other language made by translation under the responsibility of a CEN member into its own language and notified to the Central Secretariat has the same status as the official versions.

CEN members are the national standards bodies of Austria, Belgium, Cyprus, Czech Republic, Denmark, Estonia, Finland, France, Germany, Greece, Hungary, Iceland, Ireland, Italy, Latvia, Lithuania, Luxembourg, Malta, Netherlands, Norway, Poland, Portugal, Romania, Slovakia, Slovenia, Spain, Sweden, Switzerland and United Kingdom.

[SIST EN 3425:2009](https://standards.iteh.ai/catalog/standards/sist/c2ac2894-c230-40c5-9920-41df923db1bb/sist-en-3425-2009)

<https://standards.iteh.ai/catalog/standards/sist/c2ac2894-c230-40c5-9920-41df923db1bb/sist-en-3425-2009>



EUROPEAN COMMITTEE FOR STANDARDIZATION  
COMITÉ EUROPÉEN DE NORMALISATION  
EUROPÄISCHES KOMITEE FÜR NORMUNG

Management Centre: rue de Stassart, 36 B-1050 Brussels

<b>Contents</b>		Page
Foreword.....		3
1	Scope .....	4
2	Required characteristics – Configuration – Dimensions.....	4
3	Designation .....	6

**iTeh STANDARD PREVIEW**  
**(standards.iteh.ai)**

[SIST EN 3425:2009](https://standards.iteh.ai/catalog/standards/sist/c2ac2894-c230-40c5-9920-41df923db1bb/sist-en-3425-2009)

<https://standards.iteh.ai/catalog/standards/sist/c2ac2894-c230-40c5-9920-41df923db1bb/sist-en-3425-2009>

## Foreword

This European Standard (EN 3425:2006) has been prepared by the European Association of Aerospace Manufacturers - Standardization (AECMA-STAN).

After enquiries and votes carried out in accordance with the rules of this Association, this Standard has received the approval of the National Associations and the Official Services of the member countries of AECMA, prior to its presentation to CEN.

This European Standard shall be given the status of a national standard, either by publication of an identical text or by endorsement, at the latest by December 2006, and conflicting national standards shall be withdrawn at the latest by December 2006.

Attention is drawn to the possibility that some of the elements of this document may be the subject of patent rights. CEN [and/or CENELEC] shall not be held responsible for identifying any or all such patent rights.

According to the CEN/CENELEC Internal Regulations, the national standards organizations of the following countries are bound to implement this European Standard: Austria, Belgium, Cyprus, Czech Republic, Denmark, Estonia, Finland, France, Germany, Greece, Hungary, Iceland, Ireland, Italy, Latvia, Lithuania, Luxembourg, Malta, Netherlands, Norway, Poland, Portugal, Romania, Slovakia, Slovenia, Spain, Sweden, Switzerland and the United Kingdom.

**ITEH STANDARD PREVIEW**  
**(standards.iteh.ai)**

SIST EN 3425:2009

<https://standards.iteh.ai/catalog/standards/sist/c2ac2894-c230-40c5-9920-41df923db1bb/sist-en-3425-2009>

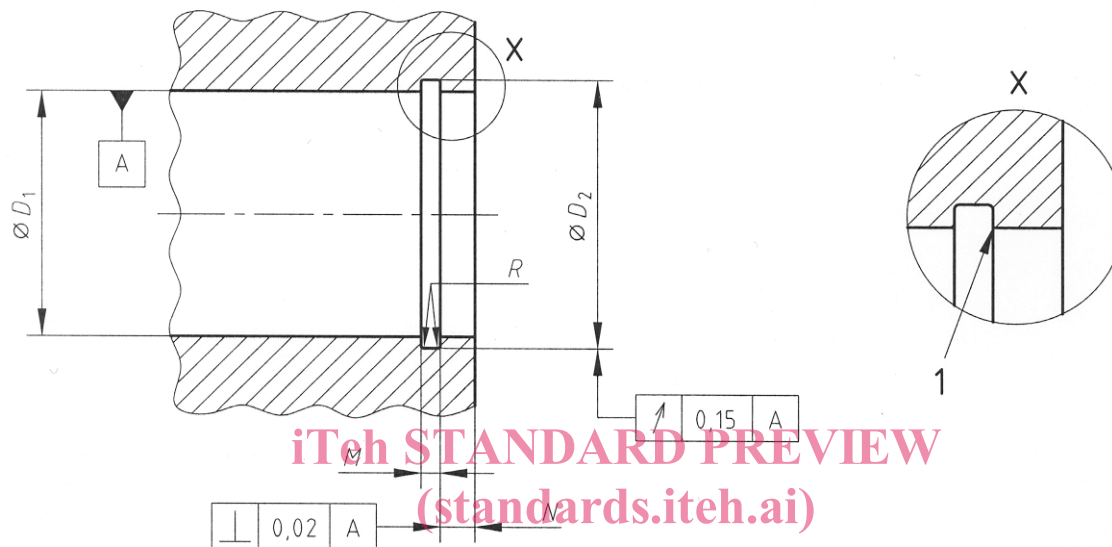
EN 3425:2006 (E)

## 1 Scope

This standard defines the dimensions of grooves for axial mounting, internal type, retaining rings.

## 2 Required characteristics – Configuration – Dimensions

See Figure 1 and Table 1.



SIST EN 3425:2009

<https://standards.iteh.ai/catalog/standards/sist/c2ac2894-c230-40c5-9920-41df923db1bb/sist-en-3425-2009>

### Key

- 1 Square and sharp edge on the bearing side

Figure 1

Table 1

Dimensions in millimetres

$D_1^a$		$D_2$		$M^b$ H11 H13	$N$ min.	$R$ max.
Code	nom.	nom.	Tol.			
008	8	8,4	H11	0,9	0,6	0,08
009	9	9,4				
010	10	10,4				
011	11	11,4				
012	12	12,5				
013	13	13,6				
014	14	14,6				
015	15	15,7				
016	16	16,8				
017	17	17,8				
018	18	19				
019	19	20				
020	20	21				
021	21	22				
022	22	23				
023	23	24,1				
024	24	25,2				
025	25	26,6				
026	26	27,2				
028	28	29,4				
030	30	31,4				
031	31	32,7				
032	32	33,7				
034	34	35,7				
035	35	37				
036	36	38				
037	37	39				
038	38	40				
040	40	42,5				
042	42	44,5				
045	45	47,5				
047	47	49,5				
048	48	50,5				
050	50	53				
052	52	55				
055	55	58				
056	56	59				
058	58	61				
060	60	63				
062	62	65				
063	63	66				
065	65	68				
068	68	71				
070	70	73				
072	72	75				
075	75	78				
077	77	80				
078	78	81				
080	80	83,5				
081	81	84,5				
082	82	85,5				
083	83	86,5				
085	85	88,5				
087	87	90,5				
088	88	91,5				
090	90	93,5				
092	92	95,5				
095	95	98,5				
097	97	100,5				
098	98	101,5				
100	100	103,5				
102	102	106				
105	105	109				
107	107	111				
108	108	112				
110	110	114				
112	112	116				
115	115	119				
117	117	121				
118	118	122				
120	120	124				
122	122	126				
125	125	129				
127	127	131				
128	128	132				
130	130	134				
132	132	136				
135	135	139				
137	137	141				
138	138	142				
140	140	144				
142	142	146				
145	145	149				
147	147	151				
148	148	152				
150	150	155				
152	152	157				
155	155	160				
157	157	162				
158	158	163				
160	160	165				
162	162	167				
165	165	170				

continued

<sup>a</sup> The tolerance is left to the manufacturer's option.

<sup>b</sup> H11 when the axial load is to both directions;  
H13 when the axial load is to one direction only.

EN 3425:2006 (E)

### 3 Designation

EXAMPLE

**EN3425-022**

Number of this standard

Diameter code (see Table 1)

**iTeh STANDARD PREVIEW**  
**(standards.iteh.ai)**

SIST EN 3425:2009

<https://standards.iteh.ai/catalog/standards/sist/c2ac2894-c230-40c5-9920-41df923db1bb/sist-en-3425-2009>