

INTERNATIONAL STANDARD

ISO
9448-3

First edition
1991-11-01

Tools for pressing — Guide bushes —

Part 3:

Form B, ball cage bushes, plain, type 1

iTeh **STANDARD PREVIEW**

(standards.iteh.ai)
Outils de presse — Bagues de guidage —

Partie 3: Forme B, bagues lisses pour guidage à billes, type 1

[ISO 9448-3:1991](https://standards.iteh.ai/catalog/standards/sist/9e2c4647-edab-4269-a397-71b07cbde3b9/iso-9448-3-1991)

<https://standards.iteh.ai/catalog/standards/sist/9e2c4647-edab-4269-a397-71b07cbde3b9/iso-9448-3-1991>



Reference number
ISO 9448-3:1991(E)

Foreword

ISO (the International Organization for Standardization) is a worldwide federation of national standards bodies (ISO member bodies). The work of preparing International Standards is normally carried out through ISO technical committees. Each member body interested in a subject for which a technical committee has been established has the right to be represented on that committee. International organizations, governmental and non-governmental, in liaison with ISO, also take part in the work. ISO collaborates closely with the International Electrotechnical Commission (IEC) on all matters of electrotechnical standardization.

Draft International Standards adopted by the technical committees are circulated to the member bodies for voting. Publication as an International Standard requires approval by at least 75 % of the member bodies casting a vote.

International Standard ISO 9448-3 was prepared by Technical Committee ISO/TC 29, *Small tools*, Sub-Committee SC 8, *Tools for pressing and moulding*.

[ISO 9448-3:1991](#)

ISO 9448 consists of the following parts, under the general title *Tools for pressing — Guide bushes*:

- Part 1: *Forms*
- Part 2: *Form A, gliding bushes, plain, type 1*
- Part 3: *Form B, ball cage bushes, plain, type 1*
- Part 4: *Form C, gliding bushes, headed, type 1*
- Part 5: *Form D, ball cage bushes, headed, type 1*
- Part 6: *Form E, gliding bushes, flanged, type 1*
- Part 7: *Form F, ball cage bushes, flanged, type 1*
- Part 8: *Form G, gliding bushes, stepped, type 1*
- Part 9: *Form B, ball cage bushes, plain, type 2*
- Part 10: *Form E, gliding bushes, flanged, type 2*

© ISO 1991

All rights reserved. No part of this publication may be reproduced or utilized in any form or by any means, electronic or mechanical, including photocopying and microfilm, without permission in writing from the publisher.

International Organization for Standardization
Case Postale 56 • CH-1211 Genève 20 • Switzerland

Printed in Switzerland

— *Part 11: Form F, ball cage bushes, flanged, type 2*

Annex A of this part of ISO 9448 is for information only.

iTeh STANDARD PREVIEW
(standards.iteh.ai)

ISO 9448-3:1991

<https://standards.iteh.ai/catalog/standards/sist/9e2c4647-edab-4269-a397-71b07cbde3b9/iso-9448-3-1991>

iTeh STANDARD PREVIEW
(standards.iteh.ai)

This page intentionally left blank

[ISO 9448-3:1991](#)

<https://standards.iteh.ai/catalog/standards/sist/9e2c4647-edab-4269-a397-71b07cbde3b9/iso-9448-3-1991>

Tools for pressing — Guide bushes —

Part 3:

Form B, ball cage bushes, plain, type 1

1 Scope

This part of ISO 9448 specifies the main dimensions and tolerances, in millimetres, of guide bushes of form B, plain ball cage bushes, type 1, intended for use in press tools and to be mounted in the clamp plate by means of interference fit.

It gives guidance on the materials, and specifies the hardness and the designation of bushes in accordance with this part of ISO 9448.

2 Dimensions

See figure 1 and table 1.

Details not stated such as chamfers, radii, lubrication grooves, etc., are left to the manufacturer's discretion.

3 Material and corresponding hardness

The material is left to the manufacturer's discretion and the hardness shall be (63 ± 1) HRC.

4 Designation

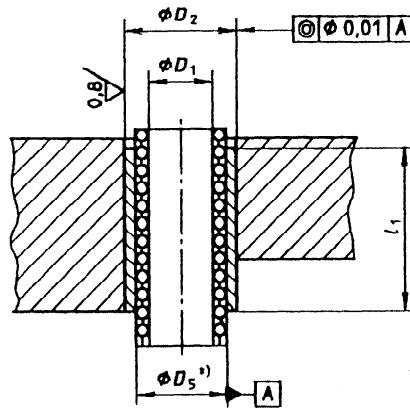
A guide bush in accordance with this part of ISO 9448 shall be designated by

- a) "Guide bush";
- b) a reference to this part of ISO 9448;
- c) its form;
- d) its guiding diameter, D_1 , in millimetres;
- e) its length, l_1 , in millimetres.

EXAMPLE

A guide bush of form B, plain ball cage bush, type 1, of guiding diameter $D_1 = 12$ mm and of length $l_1 = 25$ mm is designated as follows:

Guide bush ISO 9448-3 B - 12 × 25



*) The manufacturer shall determine the internal diameter D_5 of the bush, using the tolerance M5. This diameter is intended to be lapped or ground to ensure the proper preloading of the balls between the pillar and the bush, as determined by the manufacturer. This lapping or grinding operation shall be carried out to give a surface roughness $R_a = 0,05 \mu\text{m}$ and this diameter shall act as a reference diameter for the concentricity and perpendicularity tolerances.

Figure 1

iTeh STANDARD PREVIEW (standards.iteh.ai)

ISO 9448-3:1991

<https://standards.iteh.ai/catalog/standards/sist/9e2c4647-edab-4269-a397-71b07cbde3b9/iso-9448-3-1991>

Table 1

I_1		12	16	20	D_1 25	32	40	50	
nom.	tol.	D_2 n6 ¹⁾							
		22	28	32	40	48	58	70	
25	-2,0 -2,5	X	X						
32		X	X	X					
40	-3 -4	X	X	X	X				
50		X	X	X	X	X			
63			X	X	X	X	X		
80					X	X	X	X	
100	-3 -5					X	X	X	
125		iTeh STANDARD PREVIEW (standards.iteh.ai)						X	X
160									X

NOTES

ISO 9448-3:1991
<https://standards.iteh.ai/catalog/standards/sist/9e2c4647-edab-4269-a397-71b07cbde3b9/iso-9448-3-1991>

1 X, standardized dimension.

2 To prevent an incorrect assembly of the upper and lower plates of the die set in relation to each other, the following values of D_1 are recommended: 11, 15, 19, 24, 30, 38 and 48.

1) Intended to fit in a hole having a tolerance H7. When the bushes are glued, the tolerance j6 is permitted.

Annex A
(informative)

Bibliography

- [1] ISO 6508:1986, *Metallic materials — Hardness test — Rockwell test (scales A - B - C - D - E - F - G - H - K)*.
- [2] ISO 9448-1:1991, *Tools for pressing — Guide bushes — Part 1: Forms*.

iTeh STANDARD PREVIEW
(standards.iteh.ai)

[ISO 9448-3:1991](https://standards.iteh.ai/catalog/standards/sist/9e2c4647-edab-4269-a397-71b07cbde3b9/iso-9448-3-1991)
<https://standards.iteh.ai/catalog/standards/sist/9e2c4647-edab-4269-a397-71b07cbde3b9/iso-9448-3-1991>

iTeh STANDARD PREVIEW
(standards.iteh.ai)

This page intentionally left blank

[ISO 9448-3:1991](#)

<https://standards.iteh.ai/catalog/standards/sist/9e2c4647-edab-4269-a397-71b07cbde3b9/iso-9448-3-1991>