

INTERNATIONAL STANDARD

ISO
9523

First edition
1990-06-01

Touring ski-boots for adults — Interface with ski-binding

iTeh STANDARD PREVIEW
*Chaussures de ski de randonnée pour adultes — Zones de jonction avec
les fixations de skis*
(standards.iteh.ai)

ISO 9523:1990

<https://standards.iteh.ai/catalog/standards/sist/a25ffc91-a77e-4a79-b43e-281340d6a8ba/iso-9523-1990>



Reference number
ISO 9523:1990(E)

Foreword

ISO (the International Organization for Standardization) is a worldwide federation of national standards bodies (ISO member bodies). The work of preparing International Standards is normally carried out through ISO technical committees. Each member body interested in a subject for which a technical committee has been established has the right to be represented on that committee. International organizations, governmental and non-governmental, in liaison with ISO, also take part in the work. ISO collaborates closely with the International Electrotechnical Commission (IEC) on all matters of electrotechnical standardization.

Draft International Standards adopted by the technical committees are circulated to the member bodies for voting. Publication as an International Standard requires approval by at least 75 % of the member bodies casting a vote.

International Standard ISO 9523 was prepared by Technical Committee ISO/TC 83, *Sports and recreational equipment*.

Annex A of this International Standard is for information only.

ISO 9523:1990
<https://standards.iteh.ai/catalog/standards/sist/a25ffc91-a77e-4a79-b43e-281340d6a8ba/iso-9523-1990>

© ISO 1990

All rights reserved. No part of this publication may be reproduced or utilized in any form or by any means, electronic or mechanical, including photocopying and microfilm, without permission in writing from the publisher.

International Organization for Standardization

Case Postale 56 • CH-1211 Genève 20 • Switzerland

Printed in Switzerland

Touring ski-boots for adults — Interface with ski-binding

1 Scope

This International Standard specifies the dimensions and characteristics of the interface zone of the sole and parts of the shaft of touring ski-boots to provide defined attachment conditions for the touring ski-binding.

It applies to touring ski-boots of sizes 15,0 and larger in the Mondopoint system (corresponding to types A and C of [1]).

2 Definitions

For the purposes of this International Standard, the following definitions apply.

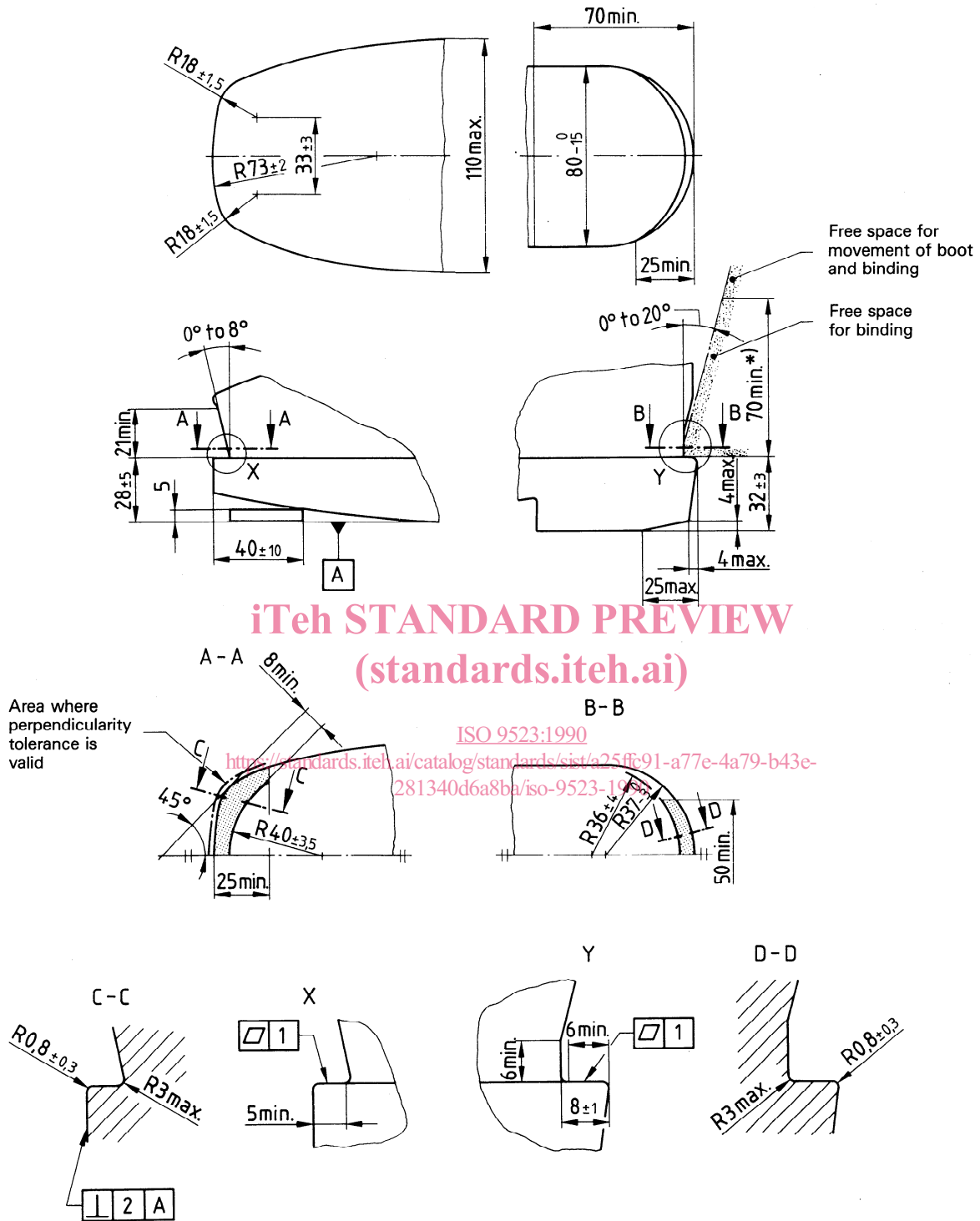
2.1 interface: Area which is in contact with the ski-binding and which provides the function of the ski-binding.

2.2 longitudinal median plane: Middle plane of the sole, longitudinal and perpendicular to the bearing surface.

2.3 bearing surface: Surface of the boot sole which is in contact with a plane on which the boot is standing.

ISO 9523:1990

<https://standards.iteh.ai/catalog/standards/sist/a25ffc91-a77e-4a79-b43e-281340d6a8ba/iso-9523-1990>



NOTES

- 1 Test sample is to be wider than boot sole.
- 2 Shaded areas are those in which the tolerance of evenness and the dimensions 28 ± 5 and 32 ± 3 are valid.

*) This dimension becomes valid three years after publication of this International Standard.

Figure 1

3 Requirements

3.1 The dimensions of the sole in the area at least 25 mm from the sole tip and within the sole radii on the heel shall be symmetrical about the longitudinal median plane.

3.2 Within the area running from a point at least 25 mm from the sole tip and beyond the sole radii at the heel, the side walls shall be perpendicular or angled inwards to the bearing surface.

3.3 Beyond the 25 mm minimum distance from the sole tip, the radius $40 \text{ mm} \pm 3,5 \text{ mm}$ (see figure 1, section A-A) shall be continued as an arc without discontinuity, providing a smooth transition to the radius.

3.4 The radius of the boot sole running surface shall be selected in such a way that the running surface of the sole contacts the test sample (see figure 1, side view).

3.5 The mounting point for positioning the binding on the ski shall be indicated by a line on each side of the lower surface of the boot as close to the ski as possible.

This line shall be permanent and clearly visible. It shall be not less than 10 mm in length and shall not be more than 5 mm from the mid-point of the length of the space allowed for the foot.

3.6 Within the limit radii in sections A-A and B-B, any style of boot shaft to the longitudinal median plane is admissible but no edges shall be produced, i.e. the radii shall pass continuously into one another.

The boot shaft at the heel shall not extend into the area which is limited to 20° by the angle and which prolongs the cylindrical portion (height 6 mm; radius $36 \text{ mm} \pm 4 \text{ mm}$) to a minimum height of 70 mm above the upper edge of the boot sole and which has a width of 50 mm at this height. However, it is not necessary that the boot reaches the area limited by the angle 0° to 20° at all points.

The boot shaft at the boot toe shall not be bent forward by more than 8° up to a height of at least 21 mm above the upper edge of the sole along the radius $40 \text{ mm} \pm 3,5 \text{ mm}$.

4 Testing

The interface shall be checked visually and by measurement of dimensions.

5 Marking

Touring ski-boots that meet the requirements of this International Standard shall be marked with the name or trademark of the manufacturer or importer. The manufacturer is allowed to claim compliance of touring ski-boots with this International Standard by an additional reference to ISO 9523, under his sole responsibility.

Annex A
(informative)

Bibliography

[1] ISO 5355:—¹⁾, *Alpine ski-boots — Safety requirements and test methods.*

[2] ISO 5977:1982, *Ski boots for children — Interfaces for ski bindings for downhill skiing.*

[3] ISO 6289:1985, *Skis — Terms and definitions.*

iTeh STANDARD PREVIEW
(standards.iteh.ai)

ISO 9523:1990

<https://standards.iteh.ai/catalog/standards/sist/a25ffc91-a77e-4a79-b43e-281340d6a8ba/iso-9523-1990>

1) To be published. (Revision of ISO 5355:1982.)

iTeh STANDARD PREVIEW
(standards.iteh.ai)

This page intentionally left blank

ISO 9523:1990

<https://standards.iteh.ai/catalog/standards/sist/a25ffc91-a77e-4a79-b43e-281340d6a8ba/iso-9523-1990>

iTeh STANDARD PREVIEW
(standards.iteh.ai)

ISO 9523:1990

<https://standards.iteh.ai/catalog/standards/sist/a25ffc91-a77e-4a79-b43e-281340d6a8ba/iso-9523-1990>

UDC 685.316.92-053.8

Descriptors: alpine skis, boots, tourism, men, women, interfaces, fixing, dimensions, characteristics.

Price based on 4 pages
