
5 YfcbUj H_UË?cbY_lcfŹYY_f] b]ždfUj c_cfb]žg`hYgb]bc`_Udc`U]`VfYn`b`Ź
d`Ugh] b]a`c\ jýYa žnUdcfb]a`a`Y`Ub]na`ca`žn`XY`cj`bc`hYa`dYfUi`fc`a`YX`Ë`)`š7`]b
%+)`š7`Ë`\$\$`"XY`?cbY_lcfŹ`n`yYbg`_ja`_cbUj_lca`Ë`GhUxUfX`n`Udfc]nj`cX

Aerospace series - Connectors, electrical, rectangular, with sealed and non-sealed rear, plastic housing, locking device, operating temperatures - 55 °C to 175 °C - Part 003: Connectors with female contacts - Product standard

Luft- und Raumfahrt - Elektrische Rechtecksteckverbinder mit und ohne hintere Abdichtung, Plastikgehäuse, Verriegelungssystem, Betriebstemperaturen von - 55 °C bis 175 °C - Teil 003: Steckverbinder mit Buchsenkontakten - Produktnorm

SIST EN 3545-003:2006

Série aérospatiale - Connecteurs électriques, rectangulaires, étanches et non étanches a l'arriere, a boîtier en plastique, a verrouillage, températures d'utilisation - 55 °C a 175 °C - Partie 003 : Connecteurs a contacts femelles - Norme de produit

Ta slovenski standard je istoveten z: EN 3545-003:2005

ICS:

49.060

SIST EN 3545-003:2006

en

iTeh STANDARD PREVIEW
(standards.iteh.ai)

SIST EN 3545-003:2006

<https://standards.iteh.ai/catalog/standards/sist/3f5b44ba-d1ab-4102-b478-60611d7611ba/sist-en-3545-003-2006>

ICS 49.060

English Version

Aerospace series - Connectors, electrical, rectangular, with
sealed and non-sealed rear, plastic housing, locking device,
operating temperatures - 55 °C to 175 °C - Part 003: Connectors
with female contacts - Product standard

Série aérospatiale - Connecteurs électriques,
rectangulaires, étanches et non étanches à l'arrière, à
boîtier en plastique, à verrouillage, températures
d'utilisation - 55 °C à 175 °C - Partie 003 : Connecteurs à
contacts femelles - Norme de produit

Luft- und Raumfahrt - Elektrische Rechtecksteckverbinder
mit und ohne hintere Abdichtung, Plastikgehäuse,
Verriegelungssystem, Betriebstemperaturen von - 55 °C bis
175 °C - Teil 003: Steckverbinder mit Buchsenkontakten -
Produktnorm

This European Standard was approved by CEN on 26 September 2005.

CEN members are bound to comply with the CEN/CENELEC Internal Regulations which stipulate the conditions for giving this European Standard the status of a national standard without any alteration. Up-to-date lists and bibliographical references concerning such national standards may be obtained on application to the Central Secretariat or to any CEN member.

This European Standard exists in three official versions (English, French, German). A version in any other language made by translation under the responsibility of a CEN member into its own language and notified to the Central Secretariat has the same status as the official versions.

[https://standards.iteh.ai/catalog/standards/sist/35b44ba-d1ab-4102-b478-](https://standards.iteh.ai/catalog/standards/sist/35b44ba-d1ab-4102-b478-3001010a-3001010a)

CEN members are the national standards bodies of Austria, Belgium, Cyprus, Czech Republic, Denmark, Estonia, Finland, France, Germany, Greece, Hungary, Iceland, Ireland, Italy, Latvia, Lithuania, Luxembourg, Malta, Netherlands, Norway, Poland, Portugal, Slovakia, Slovenia, Spain, Sweden, Switzerland and United Kingdom.



EUROPEAN COMMITTEE FOR STANDARDIZATION
COMITÉ EUROPÉEN DE NORMALISATION
EUROPÄISCHES KOMITEE FÜR NORMUNG

Management Centre: rue de Stassart, 36 B-1050 Brussels

Contents		Page
Foreword		3
1	Scope	4
2	Normative references	4
3	Terms and definitions	4
4	Required characteristics	4
5	Designation	8
6	Delivery conditions	9
7	Marking	9
8	Technical specification	9

iTeh STANDARD PREVIEW
(standards.iteh.ai)

[SIST EN 3545-003:2006](https://standards.iteh.ai/catalog/standards/sist/35b44ba-d1ab-4102-b478-60611d7611ba/sist-en-3545-003-2006)
<https://standards.iteh.ai/catalog/standards/sist/35b44ba-d1ab-4102-b478-60611d7611ba/sist-en-3545-003-2006>

Foreword

This European Standard (EN 3545-003:2005) has been prepared by the European Association of Aerospace Manufacturers - Standardization (AECMA-STAN).

After enquiries and votes carried out in accordance with the rules of this Association, this Standard has received the approval of the National Associations and the Official Services of the member countries of AECMA, prior to its presentation to CEN.

This European Standard shall be given the status of a national standard, either by publication of an identical text or by endorsement, at the latest by May 2006, and conflicting national standards shall be withdrawn at the latest by May 2006.

Attention is drawn to the possibility that some of the elements of this document may be the subject of patent rights. CEN [and/or CENELEC] shall not be held responsible for identifying any or all such patent rights.

According to the CEN/CENELEC Internal Regulations, the national standards organizations of the following countries are bound to implement this European Standard: Austria, Belgium, Cyprus, Czech Republic, Denmark, Estonia, Finland, France, Germany, Greece, Hungary, Iceland, Ireland, Italy, Latvia, Lithuania, Luxembourg, Malta, Netherlands, Norway, Poland, Portugal, Slovakia, Slovenia, Spain, Sweden, Switzerland and the United Kingdom.

ITeH STANDARD PREVIEW
(standards.iteh.ai)

SIST EN 3545-003:2006

<https://standards.iteh.ai/catalog/standards/sist/3f5b44ba-d1ab-4102-b478-60611d7611ba/sist-en-3545-003-2006>

1 Scope

This standard specifies connectors with female contacts in the family of rectangular electrical connectors with sealed and non-sealed rear, plastic housing, locking device, for operating temperatures from $-55\text{ }^{\circ}\text{C}$ to $175\text{ }^{\circ}\text{C}$.

These connectors may be used as receptacles (fixed housings) or plugs (free housings) in conjunction with the following coding and attachment system:

- male coding and attachment system for mounting on a fixed housing;
- female coding and attachment system for mounting on a free housing.

2 Normative references

The following referenced documents are indispensable for the application of this document. For dated references, only the edition cited applies. For undated references, the latest edition of the referenced document (including any amendments) applies.

EN 2591-100, *Aerospace series — Elements of electrical and optical connection — Test methods — Part 100: General.*

EN 3155-002, *Aerospace series — Electrical contacts used in elements of connection — Part 002: List and utilization of contacts.*¹⁾

EN 3545-001, *Aerospace series — Connectors, electrical, rectangular, with sealed and non-sealed rear, plastic housing, locking device, operating temperatures $-55\text{ }^{\circ}\text{C}$ to $175\text{ }^{\circ}\text{C}$ — Part 001: Technical specification.*

EN 3545-002, *Aerospace series — Connectors, electrical, rectangular, with sealed and non-sealed rear, plastic housing, locking device, operating temperatures $-55\text{ }^{\circ}\text{C}$ to $175\text{ }^{\circ}\text{C}$ — Part 002: Specification of performance and contact arrangements.*

3 Terms and definitions

For the purposes of this standard, the terms and definitions given in EN 2591-100 apply.

4 Required characteristics

4.1 Dimensions, mass

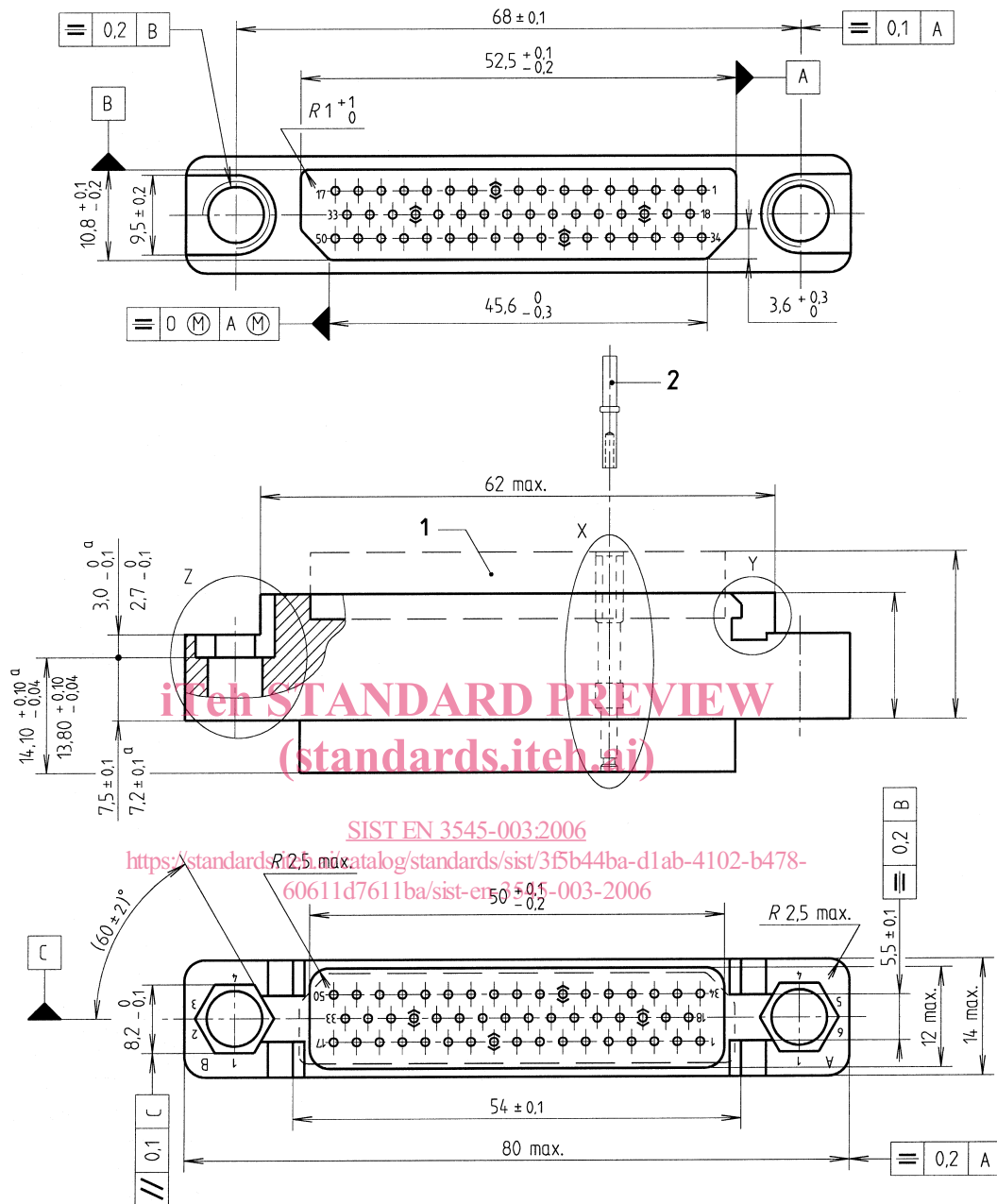
See Figure 1, Figure 2 and Table 1.

Dimensions and tolerances are in millimetres.

Mass (without accessory and without contact):

- non-sealed housing: 19 g max.;
- sealed housing: 21 g max.

1) Published as AECMA Prestandard at the date of publication of this standard.



Key

- | | | | |
|---|---|---|---|
| 1 | Grommet for rear sealing | 4 | 23 max. for contact arrangement 07 and 08 |
| 2 | Female contact | | 35 max. for contact arrangement 16 |
| 3 | 14,10 max. for contact arrangement 07 and 08 | | 20 max. for other contact arrangements |
| | 26,1 max. for contact arrangement 16 | | |
| | 15 max. for other contact arrangements | | |
| a | Applicable dimensions for contact arrangement 07 and 08 | | |

Figure 1

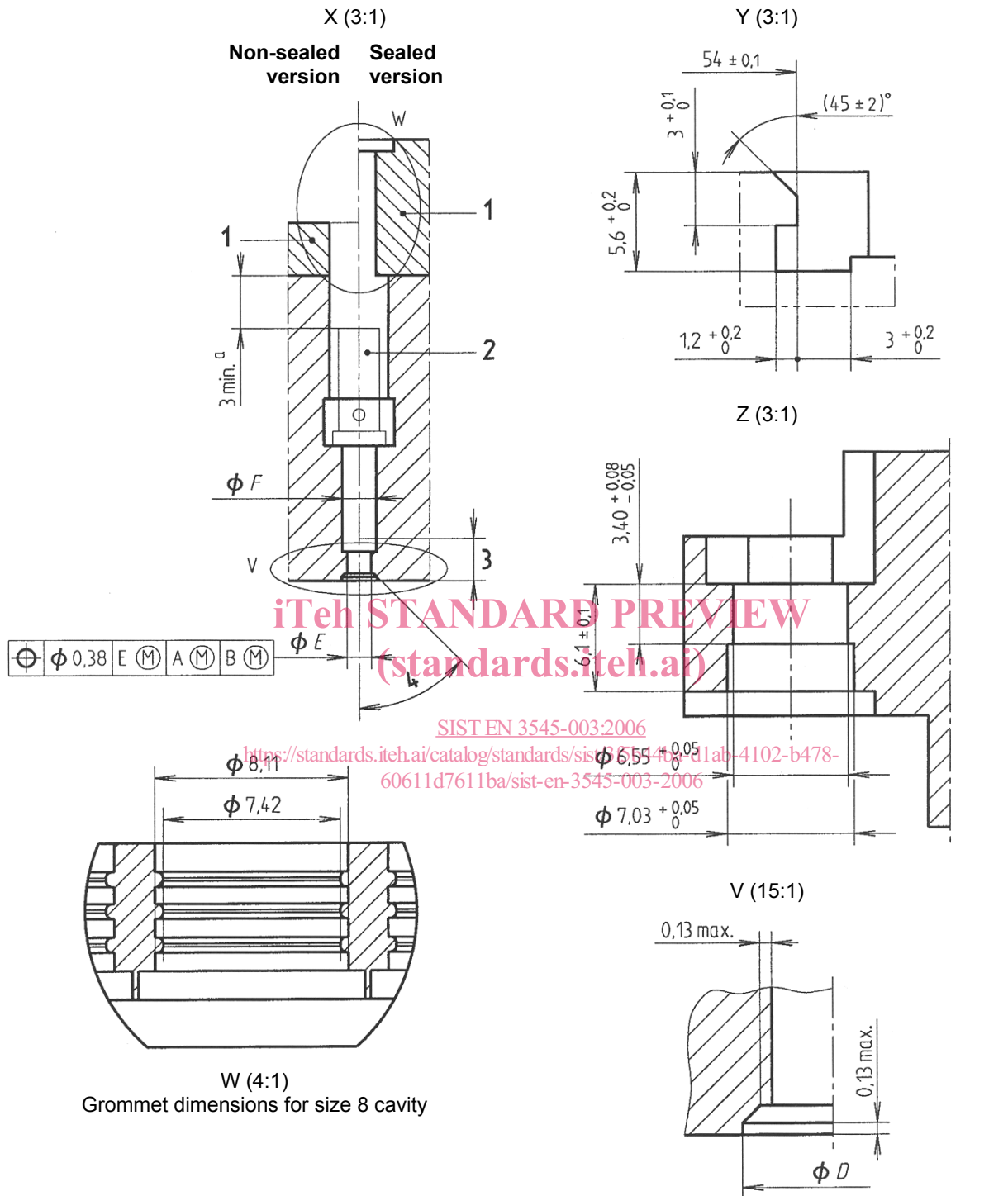


Figure 2

Table 1

Cavity for contact	<i>D</i>	<i>E</i>	<i>F</i>
22	1,70 1,60	0,97 0,89	1,69 1,62
20	2,03 1,93	1,37 1,27	1,94 1,88
16	2,84 2,73	1,88 1,80	3,07 3,00
12	3,66 3,56	2,69 2,62	4,29 4,22
10	4,45 4,34	3,48 3,40	5,64 5,54
08	6,85 6,75	5,67 5,59	7,47 7,34

4.2 Recommended panel cut-out for connectors fitted with male coding and attachment system

iTeh STANDARD PREVIEW
(standards.iteh.ai)

See Figure 3.

Maximum thickness of panel: 1,6

Minimum pitch between connectors 14,2

SIST EN 3545-003:2006

Open connector in catalog/standards/sist/35b44ba-d1ab-4102-b478-60611d7611ba/sist-en-3545-003-2006

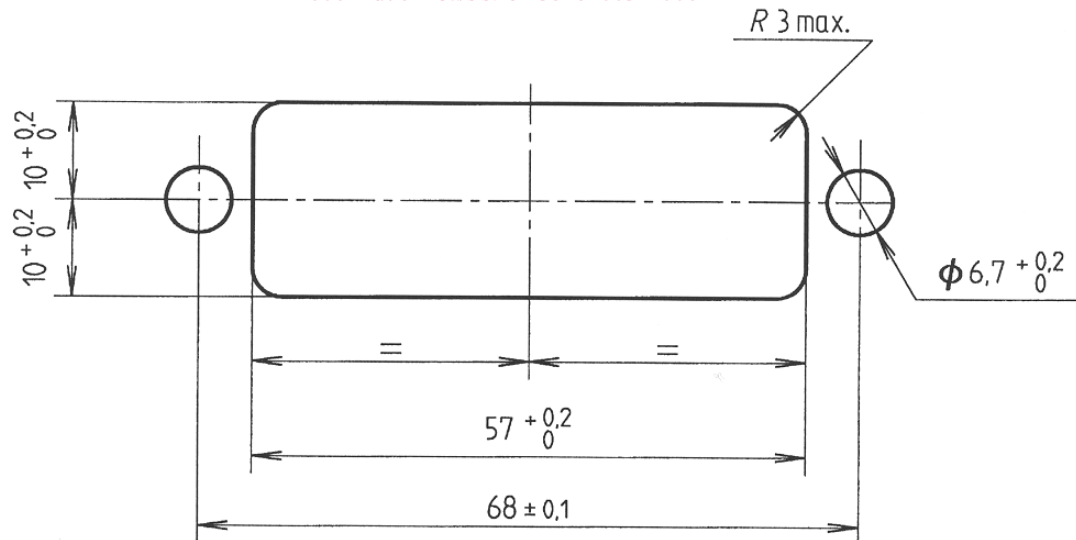


Figure 3