



SLOVENSKI STANDARD

SIST EN 3545-007:2006

01-julij-2006

5 YfcbUj H_ UË?cbY_hcf1žYY_hf] b]ždfUj c_cfb]žg`hYgb]bc`_Udc`U]`VfYn`b`Yž
d`Ugh] b]a`c\]y`Ya žnUdcfb]a`a`Y`Ub]na`ca`žn`XY`cj`bc`hYa`dYfUi`fc`a`YX`Ë) `š7`]b
%+) `š7`Ë`\$\$+`"XY.`?`UVY`g`_Ugdc`b`_UË`G`H`b`X`U`f`X`n`U`d`f`c`]n`j`c`X

Aerospace series - Connectors, electrical, rectangular, with sealed and non-sealed rear, plastic housing, locking device, operating temperatures - 55 °C to 175 °C - Part 007: Cable clamp - Product standard

Luft- und Raumfahrt - Elektrische Rechtecksteckverbinder mit und ohne hintere Abdichtung, Plastikgehäuse, Verriegelungssystem, Betriebstemperaturen von - 55 °C bis 175 °C - Teil 007: Zugentlastungsklemme - Produktnorm

SIST EN 3545-007:2006

Série aérospatiale - Connecteurs électriques, rectangulaires, étanches et non étanches a l'arriere, a boîtier en plastique, a verrouillage, températures d'utilisation - 55 °C a 175 °C - Partie 007 : Serre-câble - Norme de produit

Ta slovenski standard je istoveten z: EN 3545-007:2005

ICS:

49.060

SIST EN 3545-007:2006

en

iTeh STANDARD PREVIEW
(standards.iteh.ai)

SIST EN 3545-007:2006

<https://standards.iteh.ai/catalog/standards/sist/1d184897-ba74-4f6d-b2bf-74b1a66efd59/sist-en-3545-007-2006>

ICS 49.060

English Version

Aerospace series - Connectors, electrical, rectangular, with sealed and non-sealed rear, plastic housing, locking device, operating temperatures - 55 °C to 175 °C - Part 007: Cable clamp - Product standard

Série aérospatiale - Connecteurs électriques, rectangulaires, étanches et non étanches à l'arrière, à boîtier en plastique, à verrouillage, températures d'utilisation - 55 °C à 175 °C - Partie 007 : Serre-câble - Norme de produit

Luft- und Raumfahrt - Elektrische Rechtecksteckverbinder mit und ohne hintere Abdichtung, Plastikgehäuse, Verriegelungssystem, Betriebstemperaturen von - 55 °C bis 175 °C - Teil 007: Zugentlastungsklemme - Produktnorm

This European Standard was approved by CEN on 26 September 2005.

CEN members are bound to comply with the CEN/CENELEC Internal Regulations which stipulate the conditions for giving this European Standard the status of a national standard without any alteration. Up-to-date lists and bibliographical references concerning such national standards may be obtained on application to the Central Secretariat or to any CEN member.

This European Standard exists in three official versions (English, French, German). A version in any other language made by translation under the responsibility of a CEN member into its own language and notified to the Central Secretariat has the same status as the official versions.

<https://standards.iteh.ai/catalog/standards/sist/1d184897-ba74-4f6d-b2bf>

CEN members are the national standards bodies of Austria, Belgium, Cyprus, Czech Republic, Denmark, Estonia, Finland, France, Germany, Greece, Hungary, Iceland, Ireland, Italy, Latvia, Lithuania, Luxembourg, Malta, Netherlands, Norway, Poland, Portugal, Slovakia, Slovenia, Spain, Sweden, Switzerland and United Kingdom.



EUROPEAN COMMITTEE FOR STANDARDIZATION
COMITÉ EUROPÉEN DE NORMALISATION
EUROPÄISCHES KOMITEE FÜR NORMUNG

Management Centre: rue de Stassart, 36 B-1050 Brussels

Contents		Page
Foreword		3
1	Scope	4
2	Normative references	4
3	Terms and definitions	4
4	Required characteristics	4
5	Designation	8
6	Marking	8
7	Technical specification.....	8

iTeh STANDARD PREVIEW
(standards.iteh.ai)

[SIST EN 3545-007:2006](https://standards.iteh.ai/catalog/standards/sist/1d184897-ba74-4f6d-b2bf-74b1a66efd59/sist-en-3545-007-2006)

<https://standards.iteh.ai/catalog/standards/sist/1d184897-ba74-4f6d-b2bf-74b1a66efd59/sist-en-3545-007-2006>

Foreword

This European Standard (EN 3545-007:2005) has been prepared by the European Association of Aerospace Manufacturers - Standardization (AECMA-STAN).

After enquiries and votes carried out in accordance with the rules of this Association, this Standard has received the approval of the National Associations and the Official Services of the member countries of AECMA, prior to its presentation to CEN.

This European Standard shall be given the status of a national standard, either by publication of an identical text or by endorsement, at the latest by May 2006, and conflicting national standards shall be withdrawn at the latest by May 2006.

Attention is drawn to the possibility that some of the elements of this document may be the subject of patent rights. CEN [and/or CENELEC] shall not be held responsible for identifying any or all such patent rights.

According to the CEN/CENELEC Internal Regulations, the national standards organizations of the following countries are bound to implement this European Standard: Austria, Belgium, Cyprus, Czech Republic, Denmark, Estonia, Finland, France, Germany, Greece, Hungary, Iceland, Ireland, Italy, Latvia, Lithuania, Luxembourg, Malta, Netherlands, Norway, Poland, Portugal, Slovakia, Slovenia, Spain, Sweden, Switzerland and the United Kingdom.

ITeH STANDARD PREVIEW
(standards.iteh.ai)

[SIST EN 3545-007:2006](https://standards.iteh.ai/catalog/standards/sist/1d184897-ba74-4f6d-b2bf-74b1a66efd59/sist-en-3545-007-2006)

<https://standards.iteh.ai/catalog/standards/sist/1d184897-ba74-4f6d-b2bf-74b1a66efd59/sist-en-3545-007-2006>

1 Scope

This standard specifies cable clamp in the family of rectangular electrical connectors with sealed and non-sealed rear, plastic housing, locking device, for operating temperatures from – 55 °C to 175 °C.

2 Normative references

The following referenced documents are indispensable for the application of this document. For dated references, only the edition cited applies. For undated references, the latest edition of the referenced document (including any amendments) applies.

EN 2591-100, *Aerospace series — Elements of electrical and optical connection — Test methods — Part 100: General.*

EN 3545-001, *Aerospace series — Connectors, electrical, rectangular, with sealed and non-sealed rear, plastic housing, locking device, operating temperatures – 55 °C to 175 °C — Part 001: Technical specification.*

EN 3545-002, *Aerospace series — Connectors, electrical, rectangular, with sealed and non-sealed rear, plastic housing, locking device, operating temperatures – 55 °C to 175 °C — Part 002: Specification of performance and contact arrangements.*

3 Terms and definitions

For the purposes of this standard, the terms and definitions given in EN 2591-100 apply.

iTeh STANDARD PREVIEW
(standards.iteh.ai)

4 Required characteristics

[SIST EN 3545-007:2006](https://standards.iteh.ai/catalog/standards/sist/1d184897-ba74-4f6d-b2bf-74b1a66efd59/sist-en-3545-007-2006)

[https://standards.iteh.ai/catalog/standards/sist/1d184897-ba74-4f6d-b2bf-](https://standards.iteh.ai/catalog/standards/sist/1d184897-ba74-4f6d-b2bf-74b1a66efd59/sist-en-3545-007-2006)

4.1 Dimensions, mass

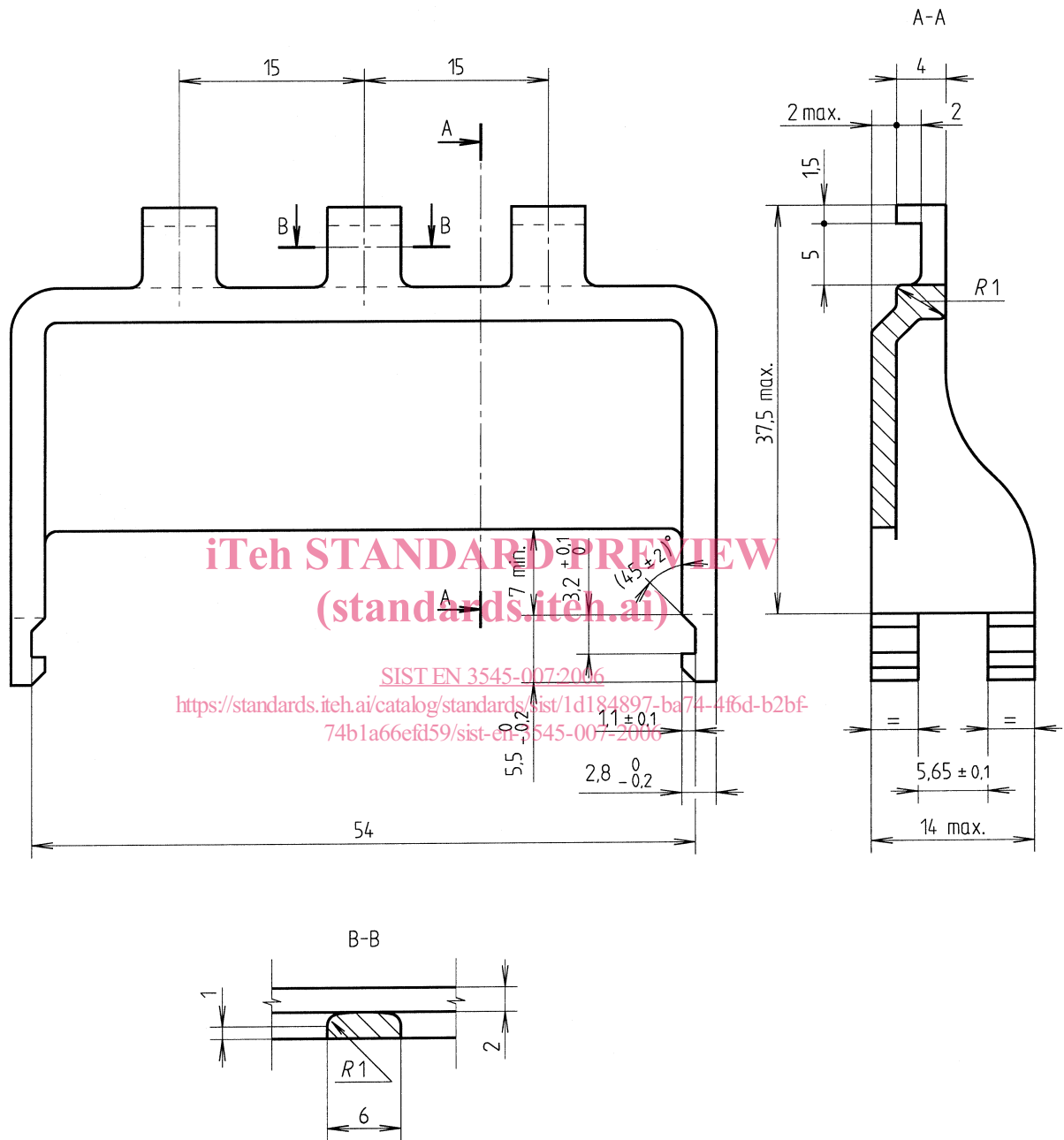
[74b1a66efd59/sist-en-3545-007-2006](https://standards.iteh.ai/catalog/standards/sist/1d184897-ba74-4f6d-b2bf-74b1a66efd59/sist-en-3545-007-2006)

The dimensions of attachment system are given in Figure 1, Figure 2 or Figure 3.

Dimensions and tolerances are in millimetres.

Mass: 06 g max. for model Code D
09 g max. for model Code E
12 g max. for model Code G

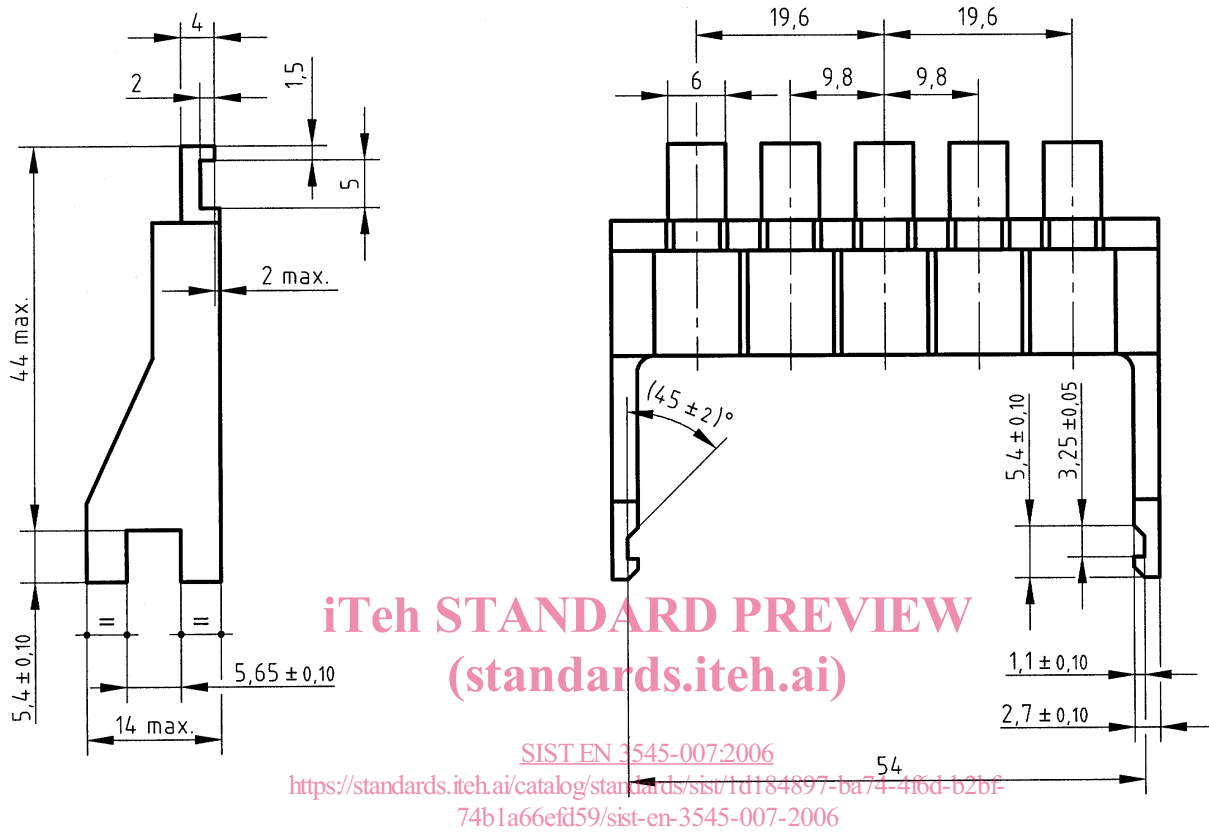
Model Code D



General tolerance: $\pm 0,2$

Figure 1 — Dimensions of model Code D

Model Code E



General tolerance: $\pm 0,2$

Figure 2 — Dimensions of model Code E

