

5 YfcbUj h\_U'!'?cbY\_lcf^žYY\_hf] b]žc\_fc[ `]žnUý ]hYb`\_cbhU\_lž\ ]fUgdc^\_Un  
bUj c^Ya žghU bUXYcj bUHya dYfUhi fU%+) `š7 `U]`&\$\$`š7 `!`\$%&"XY.`CX`\_cdb]  
\_cbY\_lcf`n'cnYa `^]h Yb]a ]j na Yha ]!'Hjd`&!`GHUbXUfX'nUdfc]nj cX

Aerospace series - Connectors, electrical, circular, scoop-proof, triple start threaded coupling, operating temperature 175 °C or 200 °C continuous - Part 012: Lanyard release plug with grounding fingers - Type 2 - Product standard

**iTeh STANDARD PREVIEW**

Luft- und Raumfahrt - Elektrische Rundsteckverbinder, kontaktgeschützt, dreigängige Gewinde-Schnellkupplung, Betriebstemperatur 175 °C oder 200 °C konstant - Teil 012: Abreißsteckverbinder mit Massefingerringen - Typ 2 - Produktnorm

[SIST EN 3645-012:2009](https://standards.iteh.ai/catalog/standards/sist/559d6ba6-08f2-47eb-8a6c-776c1000-0000/EN-3645-012-2009)

<https://standards.iteh.ai/catalog/standards/sist/559d6ba6-08f2-47eb-8a6c-776c1000-0000/EN-3645-012-2009>

Série aérospatiale - Connecteurs électriques circulaires à contacts protégés, à accouplement par filetage à pas rapide à trois filets, températures d'utilisation 175 °C ou 200 °C continu - Partie 012 : Fiche largable avec bague de blindage - Type 2 - Norme de produit

**Ta slovenski standard je istoveten z: EN 3645-012:2006**

**ICS:**

49.060 Š^cē\ æā Ą^•[ |b\ æ Aerospace electric  
^|\ dā } æĭ ]!^{\ æā Ą c\ ā equipment and systems

**SIST EN 3645-012:2009 en,de**

**iTeh STANDARD PREVIEW**  
**(standards.iteh.ai)**

SIST EN 3645-012:2009

<https://standards.iteh.ai/catalog/standards/sist/559d6ba6-08f2-47eb-8a6c-578e6f82e7ce/sist-en-3645-012-2009>

EUROPEAN STANDARD

**EN 3645-012**

NORME EUROPÉENNE

EUROPÄISCHE NORM

December 2006

ICS 49.060

English Version

**Aerospace series - Connectors, electrical, circular, scoop-proof,  
triple start threaded coupling, operating temperature 175 °C or  
200 °C continuous - Part 012: Lanyard release plug with  
grounding fingers - Type 2 - Product standard**

Série aérospatiale - Connecteurs électriques circulaires à contacts protégés, à accouplement par filetage à pas rapide à trois filets, températures d'utilisation 175 °C ou 200 °C continu - Partie 012 : Fiche largable avec bague de blindage - Type 2 - Norme de produit

Luft- und Raumfahrt - Elektrische Rundsteckverbinder, kontaktgeschützt, Drei-gangige Gewinde-Schnellkupplung, Dauerbetriebstemperaturen 175 °C oder 200 °C - Teil 012: Abreistecker mit massefingerringen - Typ 2 - Produktnorm

This European Standard was approved by CEN on 28 September 2006.

CEN members are bound to comply with the CEN/CENELEC Internal Regulations which stipulate the conditions for giving this European Standard the status of a national standard without any alteration. Up-to-date lists and bibliographical references concerning such national standards may be obtained on application to the Central Secretariat or to any CEN member.

This European Standard exists in three official versions (English, French, German). A version in any other language made by translation under the responsibility of a CEN member into its own language and notified to the Central Secretariat has the same status as the official versions.

<https://standards.iteh.ai/catalog/standards/sist/559d6ba6-08f2-47eb-8a6c-559d6ba6-08f2-47eb-8a6c>

CEN members are the national standards bodies of Austria, Belgium, Cyprus, Czech Republic, Denmark, Estonia, Finland, France, Germany, Greece, Hungary, Iceland, Ireland, Italy, Latvia, Lithuania, Luxembourg, Malta, Netherlands, Norway, Poland, Portugal, Romania, Slovakia, Slovenia, Spain, Sweden, Switzerland and United Kingdom.



EUROPEAN COMMITTEE FOR STANDARDIZATION  
COMITÉ EUROPÉEN DE NORMALISATION  
EUROPÄISCHES KOMITEE FÜR NORMUNG

**Management Centre: rue de Stassart, 36 B-1050 Brussels**

<b>Contents</b>		Page
Foreword.....		3
1	Scope .....	4
2	Normative references .....	4
3	Terms and definitions .....	5
4	Required characteristics .....	5
5	Designation .....	6
6	Marking .....	7
7	Technical specification .....	7

**iTeh STANDARD PREVIEW**  
**(standards.iteh.ai)**

[SIST EN 3645-012:2009](https://standards.iteh.ai/catalog/standards/sist/559d6ba6-08f2-47eb-8a6c-578e6f82e7ce/sist-en-3645-012-2009)

<https://standards.iteh.ai/catalog/standards/sist/559d6ba6-08f2-47eb-8a6c-578e6f82e7ce/sist-en-3645-012-2009>

## Foreword

This document (EN 3645-012:2006) has been prepared by the Aerospace and Defence Industries Association of Europe - Standardization (ASD-STAN).

After enquiries and votes carried out in accordance with the rules of this Association, this Standard has received the approval of the National Associations and the Official Services of the member countries of ASD, prior to its presentation to CEN.

This European Standard shall be given the status of a national standard, either by publication of an identical text or by endorsement, at the latest by June 2007, and conflicting national standards shall be withdrawn at the latest by June 2007.

Attention is drawn to the possibility that some of the elements of this document may be the subject of patent rights. CEN [and/or CENELEC] shall not be held responsible for identifying any or all such patent rights.

According to the CEN/CENELEC Internal Regulations, the national standards organizations of the following countries are bound to implement this European Standard: Austria, Belgium, Cyprus, Czech Republic, Denmark, Estonia, Finland, France, Germany, Greece, Hungary, Iceland, Ireland, Italy, Latvia, Lithuania, Luxembourg, Malta, Netherlands, Norway, Poland, Portugal, Romania, Slovakia, Slovenia, Spain, Sweden, Switzerland and the United Kingdom.

**(standards.iteh.ai)**

SIST EN 3645-012:2009

<https://standards.iteh.ai/catalog/standards/sist/559d6ba6-08f2-47eb-8a6c-578e6f82e7ce/sist-en-3645-012-2009>

**EN 3645-012:2006 (E)****1 Scope**

This standard specifies the characteristics of releasable plugs with shielding rings, type 2, shell size 25 equipped with male contacts, in the family of circular, electrical connectors, with triple start threaded coupling.

It applies to model in Table 2.

For receptacles and protective covers, see EN 3645-003, EN 3645-004, EN 3645-005, EN 3645-007, EN 3645-009 and EN 3645-010 respectively.

For contacts, sealing plugs and rear accessories associated with this plug, see EN 3645-002.

These connectors are derived from and interchangeable with model W in specification MIL-DTL-38999/31.

**2 Normative references**

The following referenced documents are indispensable for the application of this document. For dated references, only the edition cited applies. For undated references, the latest edition of the referenced document (including any amendments) applies.

EN 3645-001, *Aerospace series — Connectors, electrical, circular, scoop-proof, triple start threaded coupling, operating temperature 175 °C or 200 °C continuous — Part 001: Technical specification.*

EN 3645-002, *Aerospace series — Connectors, electrical, circular, scoop-proof, triple start threaded coupling, operating temperature 175 °C or 200 °C continuous — Part 002: Specification of performance and contact arrangements.*

EN 3645-003, *Aerospace series — Connectors, electrical, circular, scoop-proof, triple start threaded coupling, operating temperature 175 °C or 200 °C continuous — Part 003: Receptacle square flange mounting — Product standard.*

EN 3645-004, *Aerospace series — Connectors, electrical, circular, scoop-proof, triple start threaded coupling, operating temperature 175 °C or 200 °C continuous — Part 004: Receptacle, hermetic, square flange mounting — Product standard.*

EN 3645-005, *Aerospace series — Connectors, electrical, circular, scoop-proof, triple start threaded coupling, operating temperature 175 °C or 200 °C continuous — Part 005: Receptacle, hermetic, round flange, brasage mounting — Product standard.*

EN 3645-007, *Aerospace series — Connectors, electrical, circular, scoop-proof, triple start threaded coupling, operating temperature 175 °C or 200 °C continuous — Part 007: Protective cover for plug — Product standard.*

EN 3645-009, *Aerospace series — Connectors, electrical, circular, scoop-proof, triple start threaded coupling, operating temperature 175 °C or 200 °C continuous — Part 009: Receptacle, round flange, jam nut mounting — Product standard.*

EN 3645-010, *Aerospace series — Connectors, electrical, circular, scoop-proof, triple start threaded coupling, operating temperature 175 °C or 200 °C continuous — Part 010: Receptacle, hermetic, round flange, jam nut mounting — Product standard.*

MIL-DTL-38999/31, *Connectors, electrical, circular, threaded, plug, lanyard release, fail-safe, removable crimp contacts, pins, shell size 25, series III, metric.* <sup>1)</sup>

---

1) Published by: Department of Defense (DOD), The Pentagon, Washington D.C. 20301 USA.

### 3 Terms and definitions

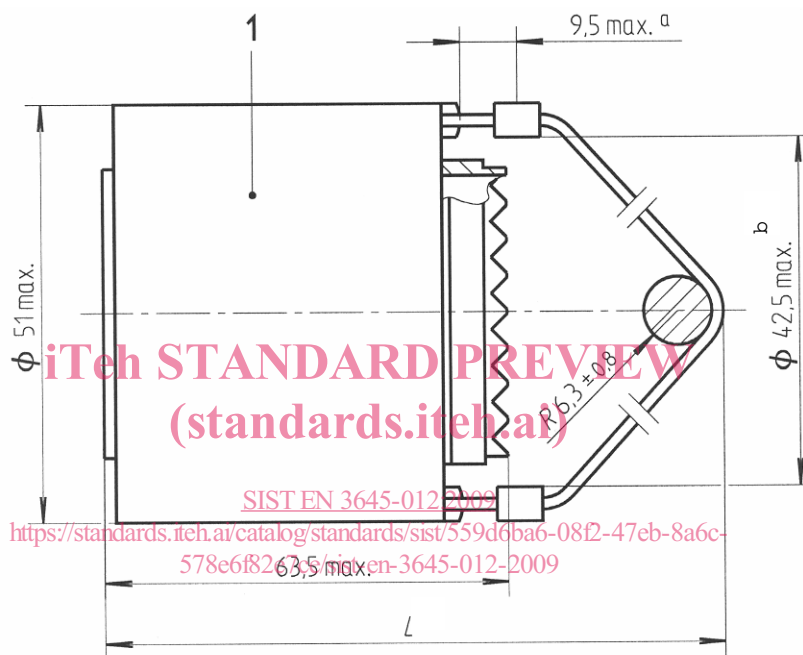
For the purposes of this document, the terms and definitions given in EN 3645-001 apply.

### 4 Required characteristics

#### 4.1 Dimensions and mass

See Figure 1 and Table 1.

Dimensions and tolerances are in millimetres.



#### Key

- 1 Knurling possible
- <sup>a</sup> Displacement of ring during release
- <sup>b</sup> Maximum diameter of accessory for displacement of the ring

Figure 1 — Releasable plug type 2

Table 1 — Cord length

Code	$L$ $\pm 6$	Mass g max.
E	153	150
F	166	
G	178	
H	191	

**EN 3645-012:2006 (E)****4.2 Materials and surface treatment**

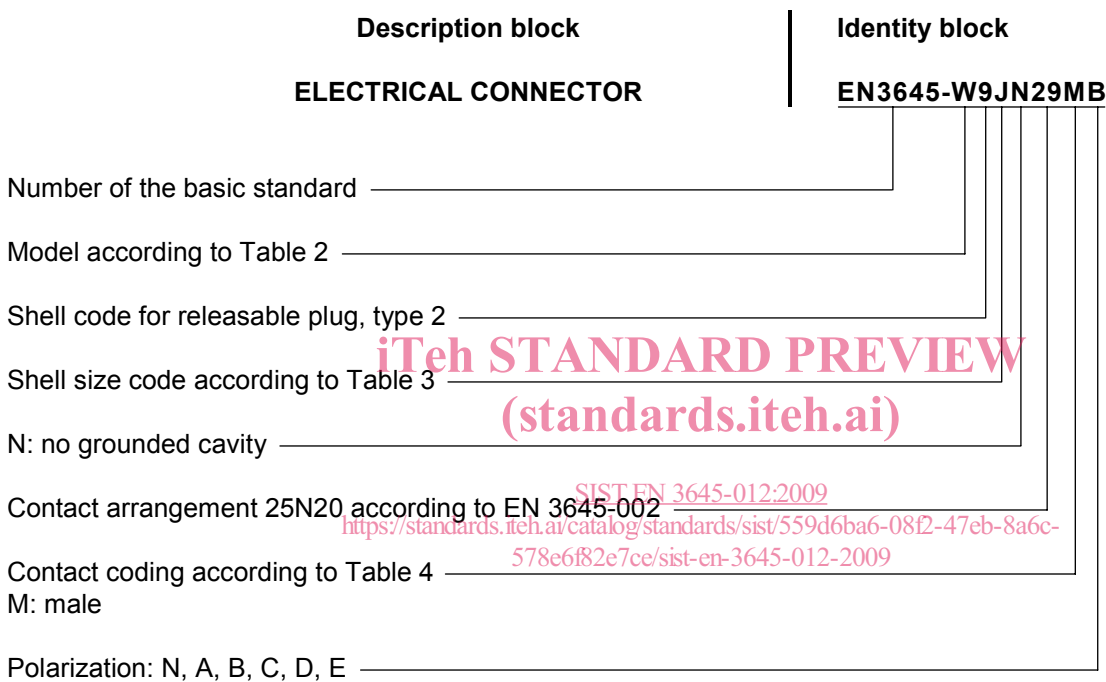
See Table 2.

**4.3 Electrical, mechanical and climatic characteristics**

See EN 3645-002.

**5 Designation**

EXAMPLE



NOTE If necessary, the code I9005 shall be placed between the description block and the identity block.

**Table 2 — Model coding**

Model	Description
W	Sealed plugs, with shell in cadmium-plated aluminium alloy, olive drab – Salt spray resistance 500 h – Plug with shielding ring – Crimped contacts – Maximum operating temperature 175 °C continuous

**Table 3 — Shell size code**

Shell size	Code
25	J