



**SLOVENSKI STANDARD
SIST EN 3688:2004**

01-maj-2004

Aerospace series - T-ring fillers in titanium alloy for welding pipes - 14 000 kPa nominal pressure

Aerospace series - T-ring fillers in titanium alloy for welding pipes - 14 000 kPa nominal pressure

Luft- und Raumfahrt - T-Schweißringe aus Titanlegierung - 14 000 kPa Nenndruck

Série aérospatiale - Rondelles en T à souder en alliage de titane - Pression nominale 14 000 kPa

iTeh STANDARD PREVIEW
(standards.iteh.ai)

[SIST EN 3688:2004](https://standards.iteh.ai/catalog/standards/sist/397c6569-62d0-4893-80bf-18d7a4437fde/sist-en-3688-2004)

Ta slovenski standard je istoveten z: EN 3688:2001

ICS:

49.080 Štepanje [b]ã Aerospace fluid systems and components

SIST EN 3688:2004 en

iTeh STANDARD PREVIEW
(standards.iteh.ai)

[SIST EN 3688:2004](#)

<https://standards.iteh.ai/catalog/standards/sist/397c6569-62d0-4893-80bf-f8d7a4437fde/sist-en-3688-2004>

EUROPEAN STANDARD

EN 3688

NORME EUROPÉENNE

EUROPÄISCHE NORM

October 2001

ICS 49.080

English version

Aerospace series - T-ring fillers in titanium alloy for welding pipes - 14 000 kPa nominal pressure

Série aérospatiale - Rondelles en T à souder en alliage de titane - Pression nominale 14 000 kPa

Luft- und Raumfahrt - T-Schweißringe aus Titanlegierung - 14 000 kPa Nenndruck

This European Standard was approved by CEN on 20 January 2001.

CEN members are bound to comply with the CEN/CENELEC Internal Regulations which stipulate the conditions for giving this European Standard the status of a national standard without any alteration. Up-to-date lists and bibliographical references concerning such national standards may be obtained on application to the Management Centre or to any CEN member.

This European Standard exists in three official versions (English, French, German). A version in any other language made by translation under the responsibility of a CEN member into its own language and notified to the Management Centre has the same status as the official versions.

CEN members are the national standards bodies of Austria, Belgium, Czech Republic, Denmark, Finland, France, Germany, Greece, Iceland, Ireland, Italy, Luxembourg, Netherlands, Norway, Portugal, Spain, Sweden, Switzerland and United Kingdom.

SIST EN 3688:2004

<https://standards.iteh.ai/catalog/standards/sist/397c6569-62d0-4893-80bf-f8d7a4437fde/sist-en-3688-2004>



EUROPEAN COMMITTEE FOR STANDARDIZATION
COMITÉ EUROPÉEN DE NORMALISATION
EUROPÄISCHES KOMITEE FÜR NORMUNG

Management Centre: rue de Stassart, 36 B-1050 Brussels

Foreword

This European Standard has been prepared by the European Association of Aerospace Manufacturers (AECMA).

After inquiries and votes carried out in accordance with the rules of this Association, this Standard has received the approval of the National Associations and the Official Services of the member countries of AECMA, prior to its presentation to CEN.

This European Standard shall be given the status of a national standard, either by publication of an identical text or by endorsement, at the latest by April 2002, and conflicting national standards shall be withdrawn at the latest by April 2002.

According to the CEN/CENELEC Internal Regulations, the national standards organizations of the following countries are bound to implement this European Standard: Austria, Belgium, Czech Republic, Denmark, Finland, France, Germany, Greece, Iceland, Ireland, Italy, Luxembourg, Netherlands, Norway, Portugal, Spain, Sweden, Switzerland and the United Kingdom.

<https://standards.iteh.ai/catalog/standards/sist/397c6569-62d0-4893-80bf-f8d7a4437fde/sist-en-3688-2004>

1 Scope

This standard specifies the characteristics for T-ring fillers in titanium alloy for welding pipes, for aerospace applications.

Nominal pressure: up to 14 000 kPa

2 Normative references

This standard incorporates by dated or undated reference provisions from other publications. These normative references are cited at the appropriate places in the text and the publications are listed hereafter. For dated references, subsequent amendments to or revisions of any of these publications apply to this standard only when incorporated in it by amendment or revision. For undated references, the latest edition of the publication referred to applies (including amendments).

- | | |
|---------|--|
| EN 2424 | Aerospace series – Marking of aerospace products |
| EN 2656 | Aerospace series – Pipe coupling – Coupling ends, welded – Geometric configuration |
| EN 3311 | Aerospace series – Titanium alloy TI-P64001 – Annealed – Bar for machining – $D \leq 150 \text{ mm}^1$ |
| EN 3314 | Aerospace series – Titanium alloy TI-P64001 – Solution treated and aged – Bar for machining – $D \leq 75 \text{ mm}^1$ |

ITeH STANDARD PREVIEW
(standards.iteh.ai)

[SIST EN 3688:2004](https://standards.iteh.ai/catalog/standards/sist/397c6569-62d0-4893-80bf-f8d7a4437fde/sist-en-3688-2004)

<https://standards.iteh.ai/catalog/standards/sist/397c6569-62d0-4893-80bf-f8d7a4437fde/sist-en-3688-2004>

1) Published as AECMA Prestandard at the date of publication of this standard

EN 3688:2001 (E)

3 Required characteristics

3.1 Configuration – Dimensions – Mass

According to figure 1 and table 1

3.2 Surface roughness

According to figure 1, unless otherwise specified in the design documentation

3.3 Materials

According to EN 3311 or EN 3314

Dimensions in millimetres

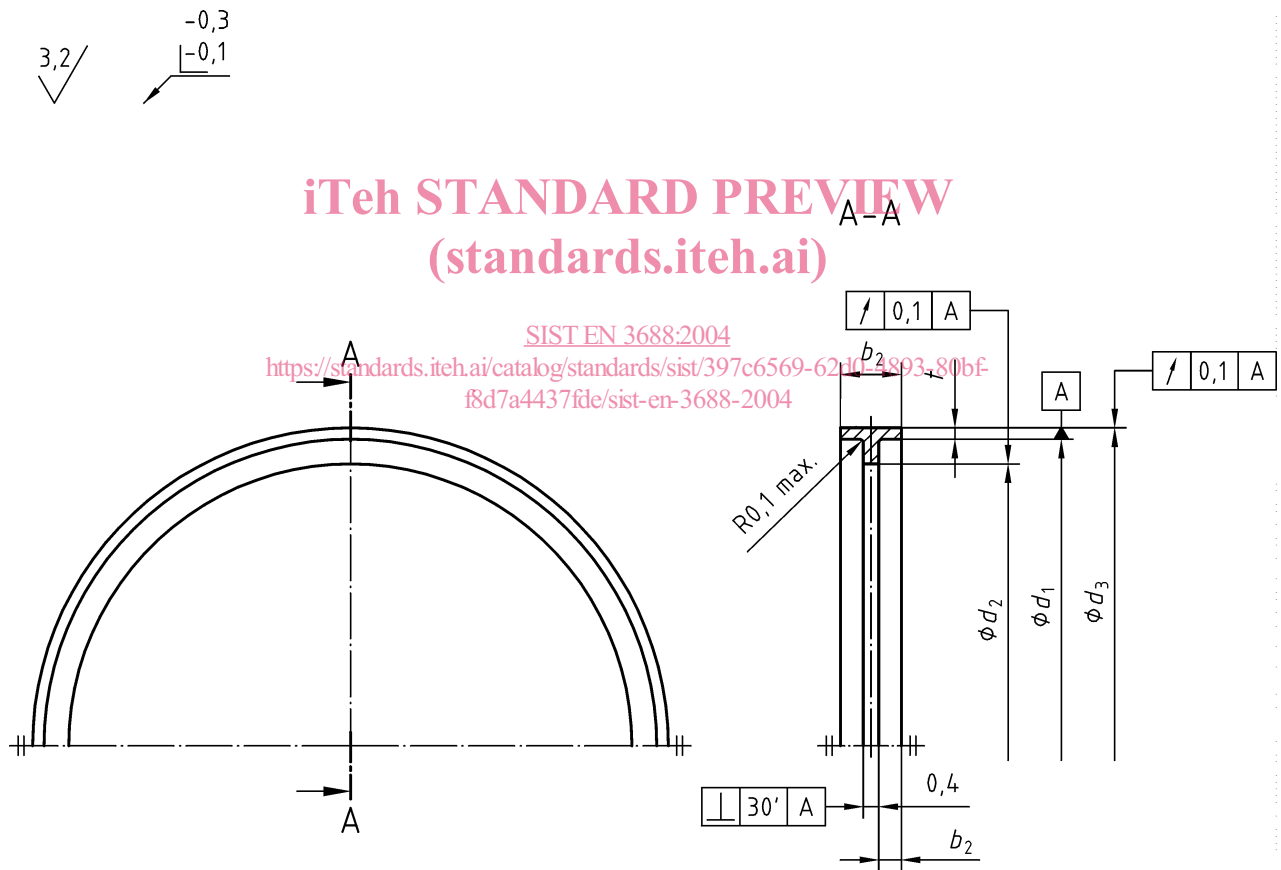


Figure 1

Table 1

Dimensions in millimetres

Code ^{a b}	b_1	b_2	d_1	d_2	d_3	t	Mass g/piece
	$\begin{matrix} 0 \\ -0,1 \end{matrix}$	$\begin{matrix} 0 \\ -0,1 \end{matrix}$	$\begin{matrix} 0 \\ -0,1 \end{matrix}$	$\begin{matrix} 0 \\ -0,1 \end{matrix}$	$\begin{matrix} 0 \\ -0,1 \end{matrix}$	Ref.	max.
0805	1,40	0,50	8,10	7,00	8,60	0,25	0,06
1005			10,10	9,00	10,60		0,08
1205	1,60	0,60	12,10	11,00	12,60		0,11
1405			14,10	13,00	14,60	0,12	
1606			16,10	14,80	16,70	0,30	0,17
1807	1,80	0,70	18,10	16,60	18,80	0,35	0,24
2007			20,10	18,60	20,80		0,26
2208			22,10	20,40	22,90	0,40	0,33
2509	2,00		25,10	23,20	26,00	0,45	0,46
2810	2,20	0,90	28,10	26,00	29,10	0,50	0,61
3212	2,40	1,00	32,10	29,60	33,30	0,60	0,83

^a Corresponds to the pipe nominal outside diameter and wall thickness.

^b Relationship between code and pressure classification, according to EN 2656

SIST EN 3688:2004

4 Designation

<https://standards.itech.ai/catalog/standards/sist/397c6569-62d0-4893-80bf-f8d7a4437fde/sist-en-3688-2004>

EXAMPLE:

Description block

Identity block

T-RING FILLER

EN3688 1405

Number of this standard

Code (see table 1)

NOTE: If necessary, the code I9005 shall be placed between the description block and the identity block.

5 Marking

According to EN 2424, style G