



SLOVENSKI STANDARD SIST EN 3691:2004

01-maj-2004

Aerospace series - Pipe coupling 8°30' in titanium alloy - Unions, bulkhead, long, welded end

Aerospace series - Pipe coupling 8°30' in titanium alloy - Unions, bulkhead, long, welded end

Luft- und Raumfahrt - Rohrverschraubung 8°30' aus Titanlegierung - Gerade Schottverschraubungen, lang, mit Anschweißende

Série aérospatiale - Systeme de raccordement 8°30' en alliage de titane - Raccords droits pour traversée de cloison, type long, a souder

<https://standards.iteh.ai/catalog/standards/sist/f758e08b-24ea-49b8-b8ed-9836932f9052/sist-en-3691-2004>

Ta slovenski standard je istoveten z: EN 3691:2001

ICS:

49.080 Številni sistemi za tekočine in pline v letalstvu in vesoljski tehniki
Aerospace fluid systems and components

SIST EN 3691:2004 en

iTeh STANDARD PREVIEW
(standards.iteh.ai)

[SIST EN 3691:2004](#)

<https://standards.iteh.ai/catalog/standards/sist/f758e08b-24ea-49b8-b8ed-9836932f9052/sist-en-3691-2004>

iTeh STANDARD PREVIEW
(standards.iteh.ai)

SIST EN 3691:2004

<https://standards.iteh.ai/catalog/standards/sist/f758e08b-24ea-49b8-b8ed-9836932f9052/sist-en-3691-2004>

iTeh STANDARD PREVIEW
(standards.iteh.ai)

[SIST EN 3691:2004](#)

<https://standards.iteh.ai/catalog/standards/sist/f758e08b-24ea-49b8-b8ed-9836932f9052/sist-en-3691-2004>

iTeh STANDARD PREVIEW
(standards.iteh.ai)

SIST EN 3691:2004

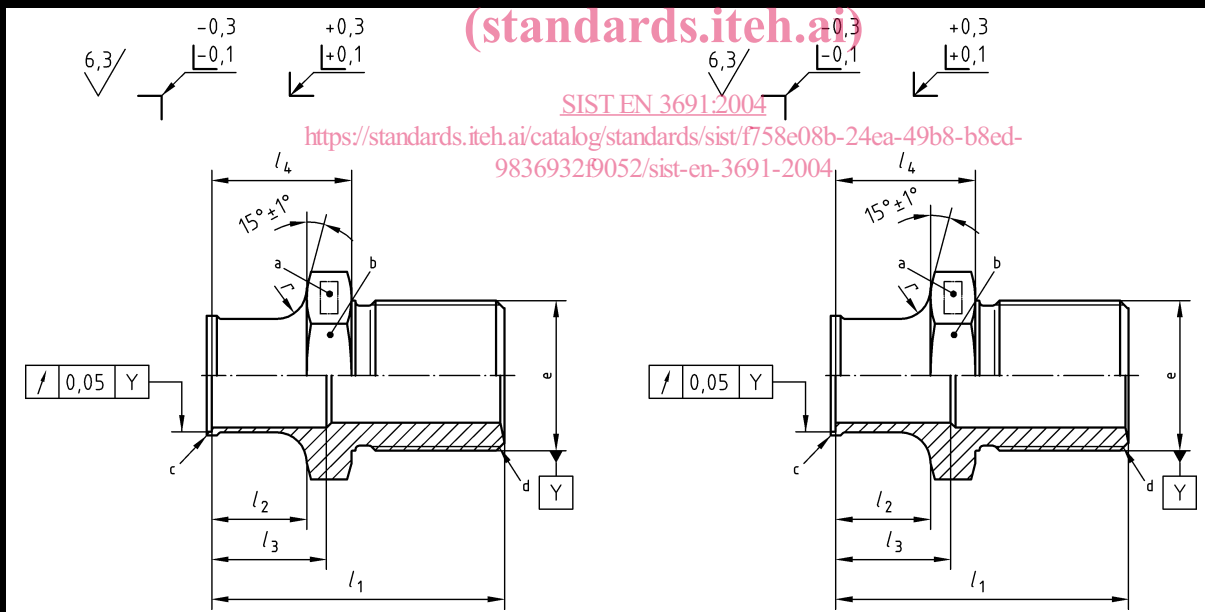
<https://standards.iteh.ai/catalog/standards/sist/f758e08b-24ea-49b8-b8ed-9836932f9052/sist-en-3691-2004>

iTeh STANDARD PREVIEW

(standards.iteh.ai)

SIST EN 3691:2004

<https://standards.iteh.ai/catalog/standards/sist/f758e08b-24ea-49b8-b8ed-9836932f9052/sist-en-3691-2004>



iTeh STANDARD PREVIEW (standards.iteh.ai)

SIST EN 3691:2004

<https://standards.iteh.ai/catalog/standards/sist/1758e08b-24ea-49b8-b8ed-9836932f9052/sist-en-3691-2004>

