



**SLOVENSKI STANDARD**  
**SIST ISO 9599:1998**  
**01-november-1998**

---

6 U\_fcj jžgj ]b Yj ]]b`W]b\_cj ]'gi `Z]Xb]\_cbW]b]fU]!'8c`c Yj Ub^Y\ ]] fcg\_cdg\_Yj`U[ Y  
j`UbU]nbYa ]j ncfW`!'; fUj ]a Yf]`g\_Ua YfcXU

Copper, lead and zinc sulfide concentrates -- Determination of hygroscopic moisture in  
the analysis sample -- Gravimetric method

**iTeh STANDARD PREVIEW**

Concentrés sulfurés de cuivre, de plomb et de zinc -- Détermination de l'humidité  
hygroscopique dans l'échantillon pour analyse -- Méthode gravimétrique

[SIST ISO 9599:1998](https://standards.iteh.ai/catalog/standards/sist/1e27b124-5f87-41d5-a3a4-72ad9094cb2f/sist-iso-9599-1998)

Ta slovenski standard je istoveten z: [ISO 9599:1991](https://standards.iteh.ai/catalog/standards/sist/1e27b124-5f87-41d5-a3a4-72ad9094cb2f/sist-iso-9599-1998)

---

**ICS:**

73.060.99      Druge rude      Other metalliferous minerals

**SIST ISO 9599:1998**      en

**iTeh STANDARD PREVIEW**  
**(standards.iteh.ai)**

SIST ISO 9599:1998

<https://standards.iteh.ai/catalog/standards/sist/1e27b124-5f87-41d5-a3a4-72ad9094cb2f/sist-iso-9599-1998>

# INTERNATIONAL STANDARD

**ISO**  
**9599**

First edition  
1991-02-15

---

---

## **Copper, lead and zinc sulfide concentrates — Determination of hygroscopic moisture in the analysis sample — Gravimetric method**

### **iTeh STANDARD PREVIEW**

*Concentrés sulfurés de cuivre, de plomb et de zinc — Détermination de  
l'humidité hygroscopique dans l'échantillon pour analyse — Méthode  
gravimétrique*

[SIST ISO 9599:1998](https://standards.iteh.ai/catalog/standards/sist/1e27b124-5f87-41d5-a3a4-72ad9094cb2f/sist-iso-9599-1998)

<https://standards.iteh.ai/catalog/standards/sist/1e27b124-5f87-41d5-a3a4-72ad9094cb2f/sist-iso-9599-1998>



Reference number  
ISO 9599:1991(E)

## ISO 9599:1991(E)

**Foreword**

ISO (the International Organization for Standardization) is a worldwide federation of national standards bodies (ISO member bodies). The work of preparing International Standards is normally carried out through ISO technical committees. Each member body interested in a subject for which a technical committee has been established has the right to be represented on that committee. International organizations, governmental and non-governmental, in liaison with ISO, also take part in the work. ISO collaborates closely with the International Electrotechnical Commission (IEC) on all matters of electrotechnical standardization.

Draft International Standards adopted by the technical committees are circulated to the member bodies for voting. Publication as an International Standard requires approval by at least 75 % of the member bodies casting a vote.

International Standard ISO 9599 was prepared by Technical Committee ISO/TC 183, *Copper, lead and zinc ores and concentrates*.

Annex A forms an integral part of this International Standard. Annex B is for information only.

<https://standards.iteh.ai/catalog/standards/sist/1e27b124-5f87-41d5-a3a4-72ad9094cb2f/sist-iso-9599-1998>

© ISO 1991

All rights reserved. No part of this publication may be reproduced or utilized in any form or by any means, electronic or mechanical, including photocopying and microfilm, without permission in writing from the publisher.

International Organization for Standardization  
Case Postale 56 • CH-1211 Genève 20 • Switzerland

Printed in Switzerland

# Copper, lead and zinc sulfide concentrates — Determination of hygroscopic moisture in the analysis sample — Gravimetric method

## 1 Scope

This International Standard specifies a gravimetric loss-in-mass method for the determination of the hygroscopic moisture content in analysis samples of copper, lead and zinc sulfide concentrates.

The method is applicable to copper, lead and zinc sulfide concentrates free from volatile organic flotation reagents, for example kerosene, and with hygroscopic moisture contents between 0,05 % (*m/m*) and 2 % (*m/m*). It is used to correct the analysis results from the equilibrated moisture level to the dry basis.

NOTE 1 The result of the determination of hygroscopic moisture using this International Standard should not be reported as part of the analysis of a concentrate sample. When the bulk moisture content of a commercial shipment of concentrate is required, the method specified [1] should be used. The determination of hygroscopic moisture and the determination of bulk moisture content are connected with each other. In both determinations the same state of dryness has to be achieved, in order to ascertain the correct metal content of a lot.

This method is not applicable to sulfide concentrates which are susceptible to oxidation (see 6.3, note 2). Annex A sets out a modified procedure which can be used in this case.

## 2 Principle

Drying of a weighed test portion in air in an oven maintained at  $105\text{ °C} \pm 5\text{ °C}$  and calculation of the percentage moisture content from the loss in mass.

## 3 Reagents

**3.1 Desiccant**, such as self-indicating silica gel or anhydrous magnesium perchlorate.

**WARNING** — Exhausted magnesium perchlorate must be disposed of by carefully washing it down the sink with a stream of water.

## 4 Apparatus

Ordinary laboratory equipment, and

**4.1 Analytical balance**, sensitive to 0,1 mg.

**4.2 Laboratory oven**, capable of maintaining a temperature of  $105\text{ °C} \pm 5\text{ °C}$ .

**4.3 Weighing vessels**, shallow, of glass or silica or corrosion-resistant metal, with externally fitting airtight covers of approximately 50 mm diameter.

**4.4 Flat dish**, or tray.

## 5 Sampling and samples

### 5.1 Laboratory sample

Use a sample of minus 150  $\mu\text{m}$  particle size.

### 5.2 Preparation of the test sample

Take a sufficient mass of the laboratory sample for the required chemical analysis and moisture determination and transfer to a flat dish or tray (4.4). Spread the sample evenly in a thin layer about 3 mm to 5 mm thick. Cover the dish to protect the sample from dust, allowing a free flow of air across the top of the sample. Allow the test sample to equilibrate with the laboratory atmosphere for 2 h or for long enough to achieve equilibration.

**ISO 9599:1991(E)**

Equilibration is achieved when the change in mass of the test sample over a 2 h period of exposure is less than 0,1 %.

**6 Procedure****6.1 Preparation of the weighing vessel**

Dry a weighing vessel and cover (4.3) by heating in the laboratory oven (4.2) at  $105\text{ °C} \pm 5\text{ °C}$  for 1 h. Transfer the weighing vessel and cover to a desiccator containing a suitable fresh desiccant (3.1), and allow to cool to ambient temperature. Remove the weighing vessel and cover from the desiccator and weigh to the nearest 0,1 mg (mass  $m_1$ ) after slightly lifting the cover and quickly replacing it.

**6.2 Test portion**

Transfer approximately 10 g of the equilibrated test sample (5.2) directly to the dried and tared weighing vessel (6.1), spreading in an even layer about 3 mm to 5 mm thick. Record the mass of the weighing vessel and cover plus test portion to the nearest 0,1 mg (mass  $m_2$ ). Within the following 5 min, also weigh the test portions required for the determination of constituents for which correction of the analytical values to a dry basis is required and transfer such test portions to the weighing vessels (4.3).

**6.3 Determination**

Transfer the uncovered weighing vessel containing the test portion and the vessel cover to the laboratory oven (4.2) and dry at  $105\text{ °C} \pm 5\text{ °C}$  for 2 h. After the 2 h period, remove the weighing vessel containing the dry test portion from the oven, replace the cover and allow to cool to ambient temperature in the desiccator. When cool, remove the weighing vessel containing the dry test portion and the vessel cover from the desiccator and reweigh to the nearest 0,1 mg, after slightly lifting the cover and quickly replacing it.

Repeat the drying at  $105\text{ °C} \pm 5\text{ °C}$  for another 2 h, cool to ambient temperature in the desiccator and weigh to determine if constant mass ( $\pm 1\text{ mg}$ ) has been achieved. If constant mass has not been achieved, repeat the drying and weighing steps described above. Record the constant mass ( $m_3$ ).

NOTE 2 If constant mass ( $\pm 1\text{ mg}$ ) is not achieved after three drying periods of 2 h, then the method specified in annex A should be used.

**7 Expression of results**

The hygroscopic moisture content,  $H$ , expressed as a percentage by mass, is calculated from the formula

$$H = \frac{m_2 - m_3}{m_2 - m_1} \times 100$$

where

$m_1$  is the mass, in grams, of the dried weighing vessel plus cover;

$m_2$  is the mass, in grams, of the weighing vessel plus cover plus test portion before drying;

$m_3$  is the mass, in grams, of the weighing vessel plus cover plus test portion after drying.

Calculate the hygroscopic moisture content of the sample to the second decimal place.

**8 Test report (for internal laboratory use only)**

The test report shall contain the following information:

- identification of the sample;
- reference to this International Standard;
- hygroscopic moisture content of the sample;
- date on which the test was carried out.

## Annex A (normative)

### Method for samples susceptible to oxidation — Drying in nitrogen

#### A.1 Principle

Drying of a weighed test portion in oxygen-free dry nitrogen in an oven maintained at  $105\text{ °C} \pm 5\text{ °C}$  and calculation of the percentage moisture content from the loss in mass.

#### A.2 Reagents

**A.2.1 Nitrogen**, dry gas containing less than  $30\ \mu\text{l}$  of oxygen per litre.

**A.2.2 Desiccant**, such as self-indicating silica gel or anhydrous magnesium perchlorate.

**WARNING** — Exhausted magnesium perchlorate must be disposed of by carefully washing it down the sink with a stream of water.

#### A.3 Apparatus

Ordinary laboratory equipment, and

**A.3.1 Analytical balance**, sensitive to  $0,1\ \text{mg}$ .

**A.3.2 Minimum-free-space oven**, capable of maintaining a temperature of  $105\text{ °C} \pm 5\text{ °C}$ , with provision for pre-heated nitrogen (A.2.1) to pass through it at 15 to 20 oven-volumes per hour. A suitable oven is shown in figure A.1.

**A.3.3 Weighing vessel**, shallow, of glass or silica or corrosion-resistant metal, with an externally fitting air-tight cover of approximately 50 mm diameter.

**A.3.4 Flowmeter**, capable of measuring the rate of flow of nitrogen (A.2.1) through the oven (A.3.2).

**A.3.5 Drying tower**, of approximately 250 ml capacity, packed with anhydrous magnesium perchlorate (A.2.2) for drying the nitrogen (A.2.1).

#### A.4 Procedure

##### A.4.1 Preparation of the weighing vessel

Raise the temperature of the oven (A.3.2) to  $105\text{ °C} \pm 5\text{ °C}$  while passing nitrogen (A.2.1) through it at the rate of 15 to 20 oven-volumes per hour.

Dry a weighing vessel and cover (A.3.3) by heating in the oven at  $105\text{ °C} \pm 5\text{ °C}$  for 1 h. Transfer the weighing vessel and cover to a desiccator containing a suitable fresh desiccant (A.2.2), and allow to cool to ambient temperature. Remove the weighing vessel and cover from the desiccator and weigh to the nearest  $0,1\ \text{mg}$  (mass  $m_1$ ), after slightly lifting the cover and quickly replacing it.

##### A.4.2 Test portion

Transfer approximately 10 g of the equilibrated test sample (5.2) directly to the dried and tared weighing vessel (A.4.1), spreading it in an even layer about 3 mm to 5 mm thick. Record the mass of the weighing vessel and cover plus test portion to the nearest  $0,1\ \text{mg}$  (mass  $m_2$ ).

##### A.4.3 Determination

Transfer the uncovered weighing vessel containing the test portion and the vessel cover to the oven (A.3.2) and dry at  $105\text{ °C} \pm 5\text{ °C}$  until constant mass ( $\pm 1\ \text{mg}$ ) is achieved (see note 3).

Remove the weighing vessel containing the dry test portion from the oven, replace the cover and allow to cool to ambient temperature in the desiccator. When cool, remove the weighing vessel containing the test portion and the vessel cover from the desiccator and reweigh to the nearest  $0,1\ \text{mg}$  (mass  $m_3$ ), after slightly lifting the cover and quickly replacing it.

**NOTE 3** Under the conditions described above, drying should be complete in between 1,5 h and 3 h. Constancy in mass ( $\pm 1\ \text{mg}$ ) should be established by reheating at  $105\text{ °C} \pm 5\text{ °C}$  for a further period of 30 min, followed by cooling and weighing as described.

### A.5 Expression of results

The hygroscopic moisture content,  $H$ , expressed as a percentage by mass, is calculated from the formula

$$H = \frac{m_2 - m_3}{m_2 - m_1} \times 100$$

where

$m_1$  is the mass, in grams, of the dried weighing vessel plus cover;

$m_2$  is the mass, in grams, of the weighing vessel plus cover plus test portion before drying;

$m_3$  is the mass, in grams, of the weighing vessel plus cover plus test portion after drying.

Calculate the hygroscopic moisture content of the sample to the second decimal place.

### A.6 Test report (for internal laboratory use only)

The test report shall contain the following information:

- identification of the sample;
- reference to this International Standard;
- hygroscopic moisture content of the sample;
- date on which the test was carried out.

Dimensions in millimetres

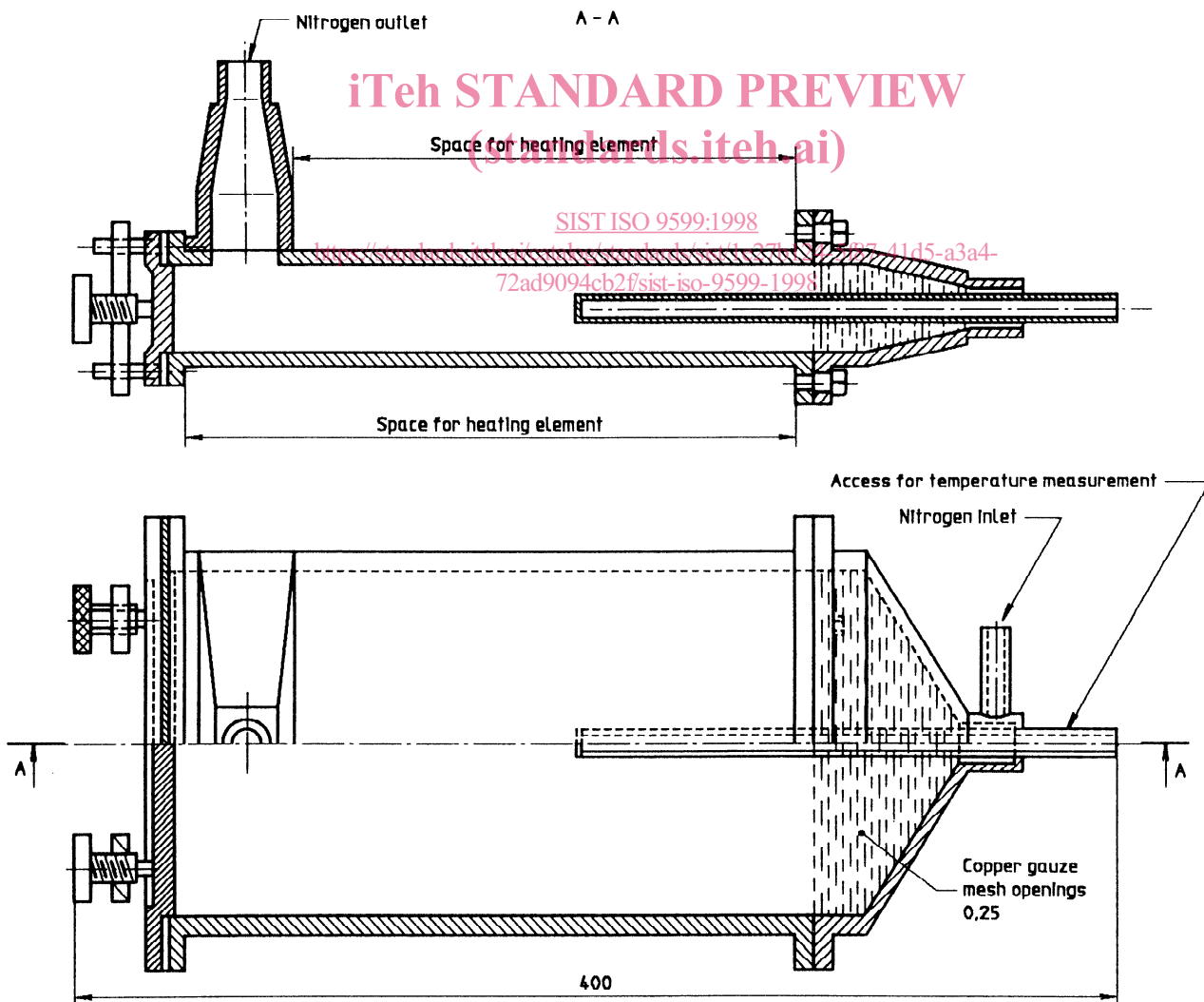


Figure A.1 — Suitable nitrogen oven