

# INTERNATIONAL STANDARD

AMENDMENT 1

Information technology – Generic cabling for homes

(<https://standards.iteh.ai>)  
Document Preview

ISO/IEC 15018:2004/AMD1:2009

<https://standards.iteh.ai/catalog/standards/iso/6a2451d5-9f17-4ff0-b101-2daf603ec704/iso-iec-15018-2004-amd1-2009>

WITHDRAWN



**THIS PUBLICATION IS COPYRIGHT PROTECTED**  
**Copyright © 2009 ISO/IEC, Geneva, Switzerland**

All rights reserved. Unless otherwise specified, no part of this publication may be reproduced or utilized in any form or by any means, electronic or mechanical, including photocopying and microfilm, without permission in writing from either IEC or IEC's member National Committee in the country of the requester.

If you have any questions about ISO/IEC copyright or have an enquiry about obtaining additional rights to this publication, please contact the address below or your local IEC member National Committee for further information.

IEC Central Office  
3, rue de Varembe  
CH-1211 Geneva 20  
Switzerland  
Email: [inmail@iec.ch](mailto:inmail@iec.ch)  
Web: [www.iec.ch](http://www.iec.ch)

### About the IEC

The International Electrotechnical Commission (IEC) is the leading global organization that prepares and publishes International Standards for all electrical, electronic and related technologies.

### About IEC publications

The technical content of IEC publications is kept under constant review by the IEC. Please make sure that you have the latest edition, a corrigenda or an amendment might have been published.

- Catalogue of IEC publications: [www.iec.ch/searchpub](http://www.iec.ch/searchpub)

The IEC on-line Catalogue enables you to search by a variety of criteria (reference number, text, technical committee,...). It also gives information on projects, withdrawn and replaced publications

- IEC Just Published: [www.iec.ch/online\\_news/justpub](http://www.iec.ch/online_news/justpub)

Stay up to date on all new IEC publications. Just Published details twice a month all new publications released. Available on-line and also by email.

- Electropedia: [www.electropedia.org](http://www.electropedia.org)

The world's leading online dictionary of electronic and electrical terms containing more than 20 000 terms and definitions in English and French, with equivalent terms in additional languages. Also known as the International Electrotechnical Vocabulary online.

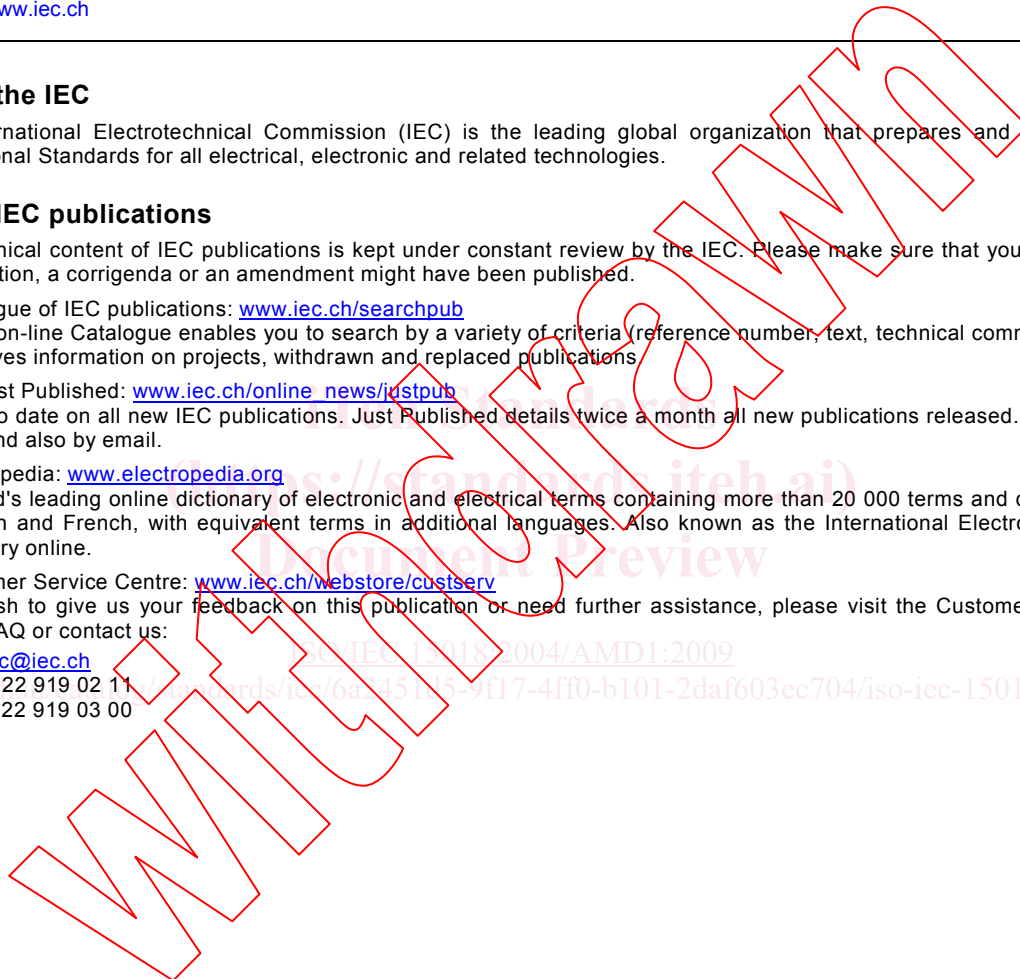
- Customer Service Centre: [www.iec.ch/webstore/custserv](http://www.iec.ch/webstore/custserv)

If you wish to give us your feedback on this publication or need further assistance, please visit the Customer Service Centre FAQ or contact us:

Email: [csc@iec.ch](mailto:csc@iec.ch)

Tel.: +41 22 919 02 11

Fax: +41 22 919 03 00



# INTERNATIONAL STANDARD

AMENDMENT 1

---

Information technology – Generic cabling for homes

(<https://standards.iteh.ai>)  
Document Preview

ISO/IEC 15018-2004/AMD1:2009

<https://standards.iteh.ai/catalog/standards/iso/6a2451d5-9f17-4ff0-b101-2daf603ec704/iso-iec-15018-2004-amd1-2009>

INTERNATIONAL  
ELECTROTECHNICAL  
COMMISSION

PRICE CODE

C

## FOREWORD

Amendment 1 to International Standard ISO/IEC 15018 was prepared by subcommittee 25: Interconnection of information technology equipment, of ISO/IEC joint technical committee 1: Information technology.

---

## 2 Normative references

Add the following new reference:

IEC 60728-1:2007, *Cable networks for television signals, sound signals and interactive services – Part 1: System performance for forward paths*

## 3 Terms, definitions and abbreviations

### 3.1 Terms and definitions

Add, after 3.1.39, the following new terms and definitions:

#### 3.1.40

##### **balun**

device to provide impedance transformation between balanced and unbalanced components

#### 3.1.41

##### **external network interface**

##### **ENI**

connexion device between external network and network access cabling.

NOTE For example, equipment comprising HNI, and baluns where applicable, complies with this definition.

#### 3.1.42

##### **home network interface**

##### **HNI**

interface for access to the network for distribution of television signal, sound signals and interactive services inside a home (single dwelling)

#### 3.1.43

##### **system outlet**

##### **SO**

device for interconnecting a subscriber feeder and a receiver lead

[IEC 60728-1, 3.1.90]

### 3.2 Abbreviations

Add the following abbreviations in alphabetical order:

HF	High frequency
UHF	Ultra-high frequency
VHF	Very high frequency

Add, after Annex D, the following new Annex E:

## Annex E (informative)

### Reference implementation of TV and radio applications – Usage of baluns

#### E.1 Types and locations of baluns

##### E.1.1 General

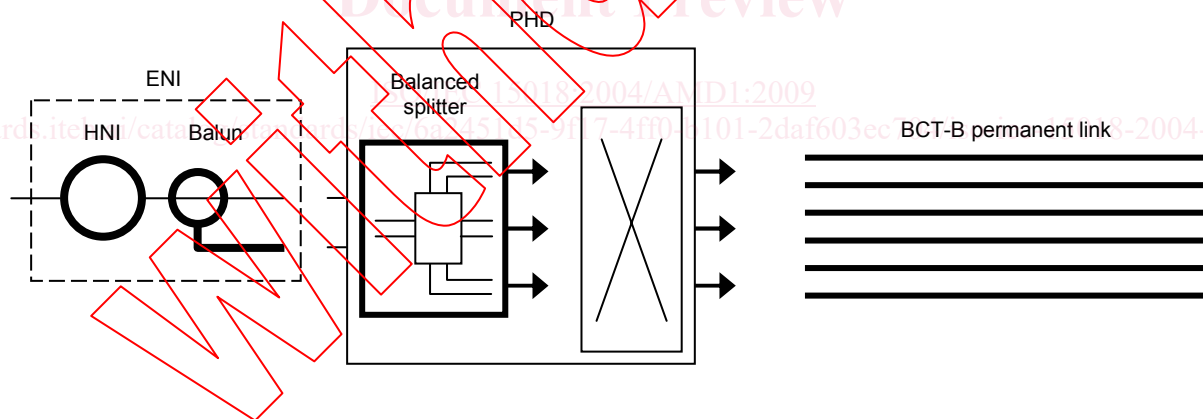
The connection of a BCT-B channel to equipment that has a 75  $\Omega$  coaxial connection requires the use of a balun.

Also the connection of a balanced BCT-B channel to a CATV network or any feeding coaxial system requires the use of a balun at the HNI (Home Network Interface).

Figures E.1 through to E.4 illustrate the location where a balun can be found in a home (single dwelling).

NOTE By the use of baluns it is possible to run BCT applications via ICT permanent links in accordance with the manufacturer's instructions.

##### E.1.2 Baluns at the external network interface and baluns at the equipment interface toward the PHD

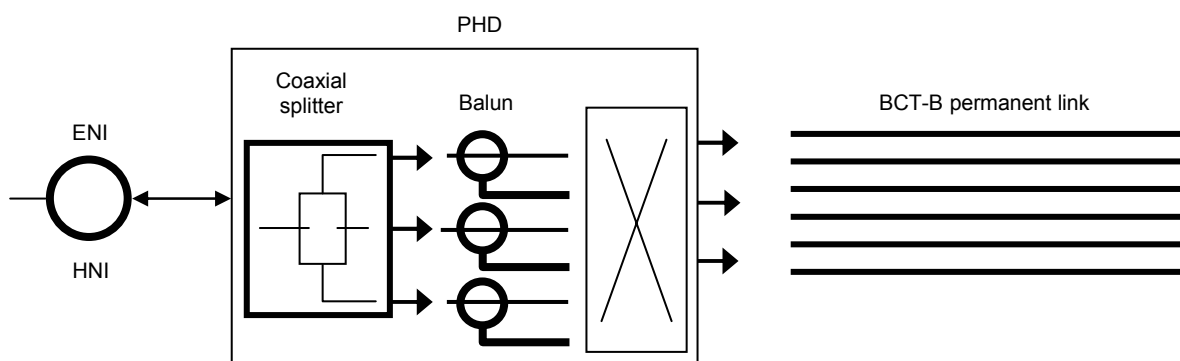


**Figure E.1 – Balun at the ENI (External Network Interface)**

Figure E.1 illustrates a configuration where the home is fed with a coaxial system. A balun is used to connect this coaxial system to balanced cabling including the Primary Home Distributor (PHD).

It is assumed that in this case the balun belongs to the application dependent equipment and therefore meets the application specific requirements to provide the home with signals complying with IEC 60728 (see Figure E.5 below).

If the balun cannot cover the frequency range of forward (47 MHz to 862 MHz) and return path (5 MHz to 65 MHz), two types of baluns should be used, each one in the appropriate path.



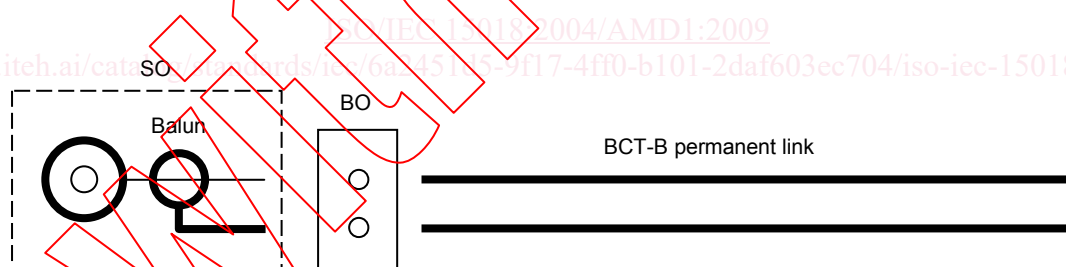
**Figure E.2 – Baluns in the PHD (Primary Home Distributor)**

Figure E.2 illustrates a configuration where the home is fed with a coaxial system. A balun is used to connect the coaxial system to the balanced Primary Home Distributor or directly to a balanced permanent link.

It is assumed that in this case the balun belongs to the application dependent equipment and therefore meets the application specific requirement to provide the balanced permanent link with signals complying with IEC 60728-1 (see Figure E.5 below).

If the balun cannot cover the frequency range of forward (47 MHz to 862 MHz) and return path (5 MHz to 65 MHz), two types of baluns should be used, each one in the appropriate path.

**E.1.3 Baluns near or in the BO**



**Figure E.3 – Balun built-in the system outlet (SO)**

Figure E.3 illustrates the case where a balun is built into the wall outlet of the BO (only as an insert). In this case the unbalanced connector at the BO no longer exists though the permanent link shall meet the performance specified in Clause 9.

- When the input impedance is measured from the coaxial port of the balun it shall be  $75 \Omega \pm 3 \Omega$ .
- When RL test is performed from the coaxial port of the balun it shall meet 14 dB in the range 5 MHz to 42 MHz or 5 MHz to 65 MHz (return path), 12 dB in the range of VHF and UHF TV up to 470 MHz, 10 dB from 470 MHz to 862 MHz.
- The insertion of the balun shall not degrade the coupling attenuation as given in Table 3 (Minimum performance of BCT-B channels).
- The insertion of the balun shall not affect carrier to noise, and carrier to composite beat shall comply with IEC 60728-1.
- The insertion of the balun shall not induce a total sectional longitudinal slope (from the HNI to the coaxial port of the balun larger than the value given in Table E.1.