



**SLOVENSKI STANDARD
SIST EN 3475-409:2004**

01-maj-2004

Aerospace series - Cables, electrical, aircraft use - Test methods - Part 409: Air-excluded ageing

Aerospace series - Cables, electrical, aircraft use - Test methods - Part 409: Air-excluded ageing

Luft- und Raumfahrt - Elektrische Leitungen für Luftfahrt, Verwendung - Prüfverfahren - Teil 409: Alterung in einem verschlossenen, luftdichten Raum

Série aérospatiale - Câbles électriques a usage aéronautique - Méthodes d'essai - Partie 409: Vieillessement a l'abri de l'air

<https://standards.iteh.ai/catalog/standards/sist/1cfb1389-7c23-4c8e-97cb-ec59eacdbb7d/sist-en-3475-409-2004>

Ta slovenski standard je istoveten z: EN 3475-409:2002

ICS:

49.060 Štejni sistemi za letalstvo in zrakoplovstvo
Aerospace electric equipment and systems

SIST EN 3475-409:2004

en

iTeh STANDARD PREVIEW
(standards.iteh.ai)

SIST EN 3475-409:2004

<https://standards.iteh.ai/catalog/standards/sist/1cfb1389-7c23-4c8e-97cb-ec59eacdbb7d/sist-en-3475-409-2004>

EUROPEAN STANDARD
NORME EUROPÉENNE
EUROPÄISCHE NORM

EN 3475-409

January 2002

ICS 49.060

English version

**Aerospace series - Cables, electrical, aircraft use - Test
methods - Part 409: Air-excluded ageing**

Série aérospatiale - Câbles électriques à usage
aéronautique - Méthodes d'essai - Partie 409:
Vieillessement à l'abri de l'air

Luft- und Raumfahrt - Elektrische Leitungen für Luftfahrt,
Verwendung - Prüfverfahren - Teil 409: Alterung in einem
verschlossenen, luftdichten Raum

This European Standard was approved by CEN on 6 August 2001.

CEN members are bound to comply with the CEN/CENELEC Internal Regulations which stipulate the conditions for giving this European Standard the status of a national standard without any alteration. Up-to-date lists and bibliographical references concerning such national standards may be obtained on application to the Management Centre or to any CEN member.

This European Standard exists in three official versions (English, French, German). A version in any other language made by translation under the responsibility of a CEN member into its own language and notified to the Management Centre has the same status as the official versions.

CEN members are the national standards bodies of Austria, Belgium, Czech Republic, Denmark, Finland, France, Germany, Greece, Iceland, Ireland, Italy, Luxembourg, Malta, Netherlands, Norway, Portugal, Spain, Sweden, Switzerland and United Kingdom.

[SIST EN 3475-409:2004](https://standards.iteh.ai/catalog/standards/sist/1cfb1389-7c23-4c8e-97cb-ec59eacdbb7d/sist-en-3475-409-2004)

<https://standards.iteh.ai/catalog/standards/sist/1cfb1389-7c23-4c8e-97cb-ec59eacdbb7d/sist-en-3475-409-2004>



EUROPEAN COMMITTEE FOR STANDARDIZATION
COMITÉ EUROPÉEN DE NORMALISATION
EUROPÄISCHES KOMITEE FÜR NORMUNG

Management Centre: rue de Stassart, 36 B-1050 Brussels

Foreword

This document (EN 3475-409:2002) has been prepared by the European Association of Aerospace Manufacturers (AECMA).

After enquiries and votes carried out in accordance with the rules of this Association, this Standard has received the approval of the National Associations and the Official Services of the member countries of AECMA, prior to its presentation to CEN

This European Standard shall be given the status of a national standard, either by publication of an identical text or by endorsement, at the latest by July 2002, and conflicting national standards shall be withdrawn at the latest by July 2002.

According to the CEN/CENELEC Internal Regulations, the national standards organizations of the following countries are bound to implement this European Standard : Austria, Belgium, Czech Republic, Denmark, Finland, France, Germany, Greece, Iceland, Ireland, Italy, Luxembourg, Malta, Netherlands, Norway, Portugal, Spain, Sweden, Switzerland and the United Kingdom.

1 Scope

This standard specifies a method of determining the behaviour of a finished cable after ageing in the absence of air.

It shall be used together with EN 3475-100.

2 Normative references

This European Standard incorporates by dated or undated reference provisions from other publications. These normative references are cited at the appropriate places in the text and the publications are listed hereafter. For dated references, subsequent amendments to or revisions of any of these publications apply to this European Standard only when incorporated in it by amendment or revision. For undated references the latest edition of the publication referred to applies.

EN 3475-100 Aerospace series – Cables, electrical, aircraft use – Test methods – Part 100: General

3 Preparation of a specimen

Take a specimen of 100 mm length.

iTeh STANDARD PREVIEW
(standards.iteh.ai)

4 Apparatus

A metal tube and an oven shall be required for this test. The tube shall have a useful internal length of 120 mm and an inside diameter of 30 mm. The ends of the tube shall be sealed (see figure 1).

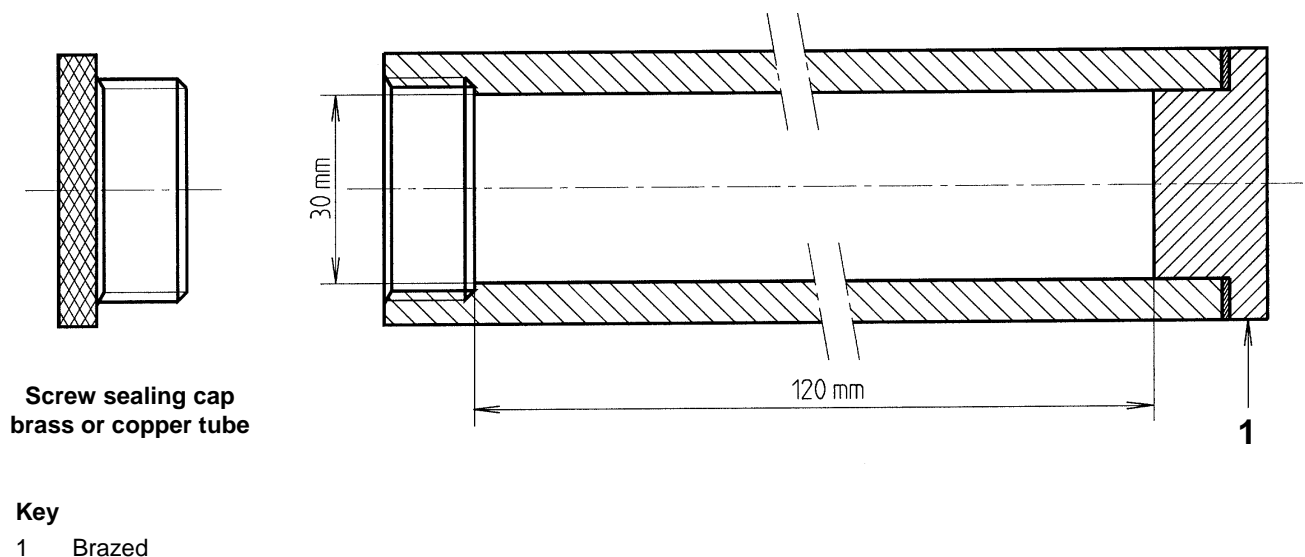


Figure 1

EN 3475-409:2002 (E)

5 Method

5.1 Procedure

The specimen shall be sealed in the tube which shall then be placed in the oven at the temperature and for the time specified in the product standard. At the end of this time the tube shall be removed from the oven and cooled to ambient temperature.

The specimen shall then be removed from the tube and bent into a U shape with a curvature six times the specified maximum external diameter of the cable or core.

5.2 Requirements

The cable covering shall not show any sign of cracking, splitting or reversion.

iTeh STANDARD PREVIEW
(standards.iteh.ai)

[SIST EN 3475-409:2004](https://standards.iteh.ai/catalog/standards/sist/1cfb1389-7c23-4c8e-97cb-ec59eacdbb7d/sist-en-3475-409-2004)

<https://standards.iteh.ai/catalog/standards/sist/1cfb1389-7c23-4c8e-97cb-ec59eacdbb7d/sist-en-3475-409-2004>