



SLOVENSKI STANDARD
SIST EN 2591-216:2001
01-januar-2001

Aerospace series - Elements of electrical and optical connection - Test methods - Part 216: Engagement depth of contacts

Aerospace series - Elements of electrical and optical connection - Test methods - Part 216: Engagement depth of contacts

Luft- und Raumfahrt - Elektrische und optische Verbindungselemente - Prüfverfahren - Teil 216: Eindringtiefe der Kontakte

Série aérospatiale - Organes de connexion électrique et optique - Méthodes d'essais - Partie 216: Profondeur d'enfichage des contacts

<https://standards.iteh.ai/catalog/standards/sist/c0112240-6fa9-450c-83b1-4f58a30df545/sist-en-2591-216-2001>

Ta slovenski standard je istoveten z: EN 2591-216:1997

ICS:

49.060 Štejni inženjerski sistemi in oprema za letalstvo in vesolje
 Aerospace electric equipment and systems

SIST EN 2591-216:2001

en

iTeh STANDARD PREVIEW
(standards.iteh.ai)

SIST EN 2591-216:2001

<https://standards.iteh.ai/catalog/standards/sist/c0112240-6fa9-450c-83b1-4f58a30df545/sist-en-2591-216-2001>

EUROPEAN STANDARD

EN 2591-216

NORME EUROPÉENNE

EUROPÄISCHE NORM

October 1997

ICS 49.060

Descriptors: aircraft industry, aircraft equipment, connecting equipment, test

English version

Aerospace series - Elements of electrical and optical connection - Test methods - Part 216: Engagement depth of contacts

Série aérospatiale - Organes de connexion électrique et
optique - Méthodes d'essais - Partie 216: Profondeur
d'enfichage des contacts

Luft- und Raumfahrt - Elektrische und optische
Verbindungselemente - Prüfverfahren - Teil 216:
Eindringtiefe der Kontakte

This European Standard was approved by CEN on 22 June 1997.

CEN members are bound to comply with the CEN/CENELEC Internal Regulations which stipulate the conditions for giving this European Standard the status of a national standard without any alteration. Up-to-date lists and bibliographical references concerning such national standards may be obtained on application to the Central Secretariat or to any CEN member.

This European Standard exists in three official versions (English, French, German). A version in any other language made by translation under the responsibility of a CEN member into its own language and notified to the Central Secretariat has the same status as the official versions.

CEN members are the national standards bodies of Austria, Belgium, Czech Republic, Denmark, Finland, France, Germany, Greece, Iceland, Ireland, Italy, Luxembourg, Netherlands, Norway, Portugal, Spain, Sweden, Switzerland and United Kingdom.

<https://standards.iteh.ai/catalog/standards/sist/c0112240-6fa9-450c-83b1-4f58a30df545/sist-en-2591-216-2001>



EUROPEAN COMMITTEE FOR STANDARDIZATION
COMITÉ EUROPÉEN DE NORMALISATION
EUROPÄISCHES KOMITEE FÜR NORMUNG

Central Secretariat: rue de Stassart, 36 B-1050 Brussels

Foreword

This European Standard has been prepared by the European Association of Aerospace Manufacturers (AECMA).

After inquiries and votes carried out in accordance with the rules of this Association, this Standard has received the approval of the National Associations and the Official Services of the member countries of AECMA, prior to its presentation to CEN.

This European Standard shall be given the status of a national standard, either by publication of an identical text or by endorsement, at the latest by April 1998, and conflicting national standards shall be withdrawn at the latest by April 1998.

According to the CEN/CENELEC Internal Regulations, the national standards organizations of the following countries are bound to implement this European Standard: Austria, Belgium, Czech Republic, Denmark, Finland, France, Germany, Greece, Iceland, Ireland, Italy, Luxembourg, Netherlands, Norway, Portugal, Spain, Sweden, Switzerland and the United Kingdom.

iTeh STANDARD PREVIEW
(standards.iteh.ai)

SIST EN 2591-216:2001

<https://standards.iteh.ai/catalog/standards/sist/c0112240-6fa9-450c-83b1-4f58a30df745/sist-en-2591-216-2001>

ALINE VOIS AMICU'ER
WOC IN TRAMIS OVIGLO AS OVITPAMM
opinion ni oioanibwrate ex 27 hntU
ANALIGULJ
.....TOLC
BVTICALOSM LOYER OF THYV 27

1 Scope

This standard specifies a method of checking the depth of engagement of the male contact into the female contact.

It shall be used together with EN 2591.

2 Normative references

This European Standard incorporates by dated or undated reference provisions from other publications. These normative references are cited at the appropriate places in the text and the publications are listed hereafter. For dated references, subsequent amendments to or revisions of any of these publications apply to this European Standard only when incorporated in it by amendment or revision. For undated references the latest edition of the publication referred to applies.

EN 2591 Aerospace series - Elements of electrical and optical connection - Test methods - General

3 Preparation of specimens

3.1 Specimens shall be wired and connected in series in accordance with figure 1.

3.2 Unless specified in the technical specification, the following details shall be stated:

– minimum depth of engagement of contacts;

– type of cable;

– requirement.

[SIST EN 2591-216:2001
https://standards.itech.ai/catalog/standards/sist/c0112240-6fa9-450c-83b1-4f58a30df545/sist-en-2591-216-2001](https://standards.itech.ai/catalog/standards/sist/c0112240-6fa9-450c-83b1-4f58a30df545/sist-en-2591-216-2001)

4 Method

4.1 Procedure

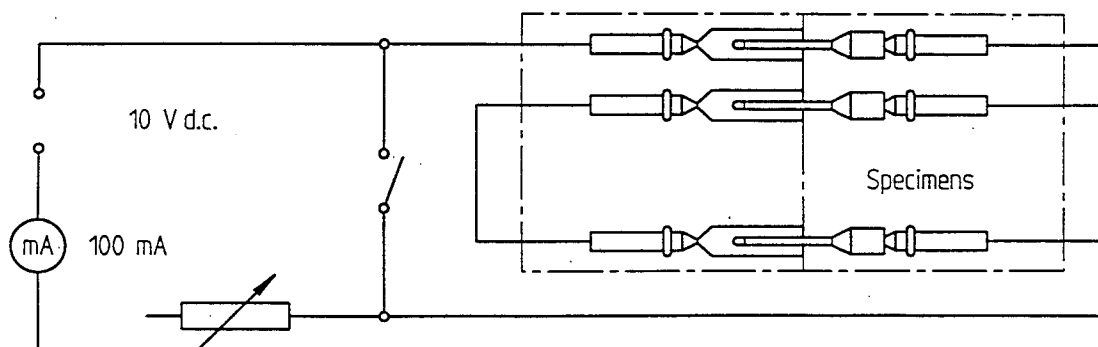


Figure 1 - Test setup

Close the switch before coupling the specimens.

Adjust the current to 100 mA.

Open the switch. The specimens shall be slowly coupled using standard procedures.

The zero point of travel is defined when the circuit closes.

Continue with the coupling. The difference measured between the zero point and total coupling defines the depth of engagement of the male contact into the female contact.

4.2 Requirement

The measured engagement depth shall not be less than the specified value.

iTeh STANDARD PREVIEW
(standards.iteh.ai)

[SIST EN 2591-216:2001](https://standards.iteh.ai/catalog/standards/sist/c0112240-6fa9-450c-83b1-4f58a30df545/sist-en-2591-216-2001)

<https://standards.iteh.ai/catalog/standards/sist/c0112240-6fa9-450c-83b1-4f58a30df545/sist-en-2591-216-2001>