

INTERNATIONAL
STANDARD

ISO
9701

First edition
1994-09-15

**Wrist and pocket watches — Fitting
diameters for hour, minute and second
hands**

iTeh STANDARD PREVIEW

*(Montres-bracelets et montres de poche — Diamètres d'ajustement des
aiguilles d'heures, de minutes et de secondes*

[ISO 9701:1994](https://standards.iso.org/iso-9701-1994)

[https://standards.iteh.ai/catalog/standards/sist/3b96a2c5-012e-4b69-a60e-
ffd95902ae5d/iso-9701-1994](https://standards.iteh.ai/catalog/standards/sist/3b96a2c5-012e-4b69-a60e-ffd95902ae5d/iso-9701-1994)



Reference number
ISO 9701:1994(E)

Foreword

ISO (the International Organization for Standardization) is a worldwide federation of national standards bodies (ISO member bodies). The work of preparing International Standards is normally carried out through ISO technical committees. Each member body interested in a subject for which a technical committee has been established has the right to be represented on that committee. International organizations, governmental and non-governmental, in liaison with ISO, also take part in the work. ISO collaborates closely with the International Electrotechnical Commission (IEC) on all matters of electrotechnical standardization.

Draft International Standards adopted by the technical committees are circulated to the member bodies for voting. Publication as an International Standard requires approval by at least 75 % of the member bodies casting a vote.

International Standard ISO 9701 was prepared by Technical Committee ISO/TC 114, *Horology*, Subcommittee SC 7, *Overall dimensions*.

[ISO 9701:1994](https://standards.iteh.ai/catalog/standards/sist/3b96a2c5-012e-4b69-a60e-ffd95902ae5d/iso-9701-1994)

<https://standards.iteh.ai/catalog/standards/sist/3b96a2c5-012e-4b69-a60e-ffd95902ae5d/iso-9701-1994>

© ISO 1994

All rights reserved. Unless otherwise specified, no part of this publication may be reproduced or utilized in any form or by any means, electronic or mechanical, including photocopying and microfilm, without permission in writing from the publisher.

International Organization for Standardization

Case Postale 56 • CH-1211 Genève 20 • Switzerland

Printed in Switzerland

Wrist and pocket watches — Fitting diameters for hour, minute and second hands

1 Scope

This International Standard specifies the fitting diameters of hour, minute and second hands for wrist and pocket watches.

iTeh STANDARD PREVIEW
(standards.iteh.ai)

2 Definitions

For the purposes of this International Standard, the following definitions apply.

2.1 fitting diameters of hour wheel, cannon pinion and second wheel: External diameters of hour wheel, cannon pinion and second wheel.

2.2 fitting diameters of hour, minute and second hands: Internal diameters of mountings for hour, minute and second hands.

3 Dimensions

The dimensions shall be as given in table 1 (see figures 1 to 3).

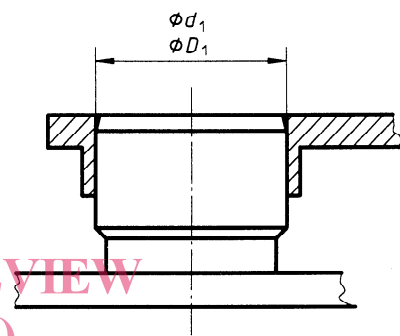


Figure 1 — Fitting diameters of hour wheel, ϕd_1 , and hour hand, ϕD_1

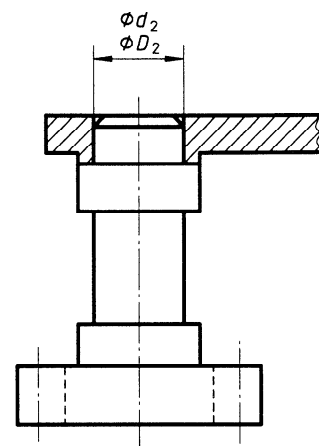


Figure 2 — Fitting diameters of cannon pinion, ϕd_2 , and minute hand, ϕD_2

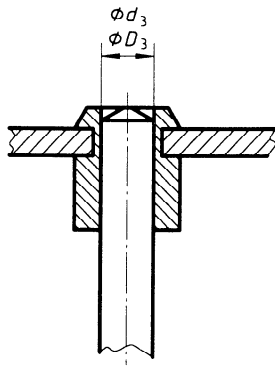


Figure 3 — Fitting diameters of second wheel, ϕd_3 , and second hand, ϕD_3

Table 1 — Fitting diameters of hour, minute and second hands

Dimensions in millimetres

ϕd_1 and ϕD_1		ϕd_2 and ϕD_2		ϕd_3 and ϕD_3		
Basic	Auxiliary	Basic	Auxiliary	Basic	Auxiliary	
1,00	0,70	0,50	0,30	0,20	0,14	
	0,80		0,40		0,16	
	0,90		0,45		0,17	
	1,05		0,55		0,18	
	1,10		0,60		0,22	
1,20	1,30	0,70	0,65	0,25	0,35	
	1,40		0,80			0,30
	1,50		0,85			0,40
1,50	1,60	0,90	1,00	0,30	0,40	
	1,70		1,10			
	1,80		1,20			
	1,90		1,30			
	2,00		1,40			
2,50	2,20	1,20	1,30	0,30	0,40	
			1,40			
			1,50			

iTeh STANDARD PREVIEW
This page intentionally left blank
(standards.iteh.ai)

[ISO 9701:1994](https://standards.iteh.ai/catalog/standards/sist/3b96a2c5-012e-4b69-a60e-ffd95902ae5d/iso-9701-1994)

<https://standards.iteh.ai/catalog/standards/sist/3b96a2c5-012e-4b69-a60e-ffd95902ae5d/iso-9701-1994>

iTeh STANDARD PREVIEW
This page intentionally left blank
(standards.iteh.ai)

[ISO 9701:1994](#)

<https://standards.iteh.ai/catalog/standards/sist/3b96a2c5-012e-4b69-a60e-ffd95902ae5d/iso-9701-1994>

iTeh STANDARD PREVIEW
This page intentionally left blank
(standards.iteh.ai)

[ISO 9701:1994](#)

<https://standards.iteh.ai/catalog/standards/sist/3b96a2c5-012e-4b69-a60e-ffd95902ae5d/iso-9701-1994>

iTeh STANDARD PREVIEW
(standards.iteh.ai)

[ISO 9701:1994](#)

<https://standards.iteh.ai/catalog/standards/sist/3b96a2c5-012e-4b69-a60e-ffd95902ae5d/iso-9701-1994>

ICS 39.040.10

Descriptors: horological industry, time measuring instruments, watches, wrist watches, horological components, clock hands, diameters, fitting.

Price based on 2 pages
