

INTERNATIONAL STANDARD

NORME INTERNATIONALE

Radio data system (RDS) – Receiver products and characteristics – Methods of measurement

Système de radiodiffusion de données – Caractéristiques et méthodes de mesure des récepteurs RDS

<https://standards.iteh.ai/catalog/standards/sist/5c41e309-5cdf-44f4-ba06-79e4803d39b0/iec-62634-2011>



THIS PUBLICATION IS COPYRIGHT PROTECTED

Copyright © 2011 IEC, Geneva, Switzerland

All rights reserved. Unless otherwise specified, no part of this publication may be reproduced or utilized in any form or by any means, electronic or mechanical, including photocopying and microfilm, without permission in writing from either IEC or IEC's member National Committee in the country of the requester.

If you have any questions about IEC copyright or have an enquiry about obtaining additional rights to this publication, please contact the address below or your local IEC member National Committee for further information.

Droits de reproduction réservés. Sauf indication contraire, aucune partie de cette publication ne peut être reproduite ni utilisée sous quelque forme que ce soit et par aucun procédé, électronique ou mécanique, y compris la photocopie et les microfilms, sans l'accord écrit de la CEI ou du Comité national de la CEI du pays du demandeur.

Si vous avez des questions sur le copyright de la CEI ou si vous désirez obtenir des droits supplémentaires sur cette publication, utilisez les coordonnées ci-après ou contactez le Comité national de la CEI de votre pays de résidence.

IEC Central Office
3, rue de Varembe
CH-1211 Geneva 20
Switzerland
Email: inmail@iec.ch
Web: www.iec.ch

About the IEC

The International Electrotechnical Commission (IEC) is the leading global organization that prepares and publishes International Standards for all electrical, electronic and related technologies.

About IEC publications

The technical content of IEC publications is kept under constant review by the IEC. Please make sure that you have the latest edition, a corrigenda or an amendment might have been published.

- Catalogue of IEC publications: www.iec.ch/searchpub

The IEC on-line Catalogue enables you to search by a variety of criteria (reference number, text, technical committee,...). It also gives information on projects, withdrawn and replaced publications.

- IEC Just Published: www.iec.ch/online_news/justpub

Stay up to date on all new IEC publications. Just Published details twice a month all new publications released. Available on-line and also by email.

- Electropedia: www.electropedia.org

The world's leading online dictionary of electronic and electrical terms containing more than 20 000 terms and definitions in English and French, with equivalent terms in additional languages. Also known as the International Electrotechnical Vocabulary online.

- Customer Service Centre: www.iec.ch/webstore/custserv

If you wish to give us your feedback on this publication or need further assistance, please visit the Customer Service Centre FAQ or contact us:

Email: csc@iec.ch
Tel.: +41 22 919 02 11
Fax: +41 22 919 03 00

A propos de la CEI

La Commission Electrotechnique internationale (CEI) est la première organisation mondiale qui élabore et publie des normes internationales pour tout ce qui a trait à l'électricité, à l'électronique et aux technologies apparentées.

A propos des publications CEI

Le contenu technique des publications de la CEI est constamment revu. Veuillez vous assurer que vous possédez l'édition la plus récente, un corrigendum ou amendement peut avoir été publié.

- Catalogue des publications de la CEI: www.iec.ch/searchpub/cur_fut-f.htm

Le Catalogue en-ligne de la CEI vous permet d'effectuer des recherches en utilisant différents critères (numéro de référence, texte, comité d'études,...). Il donne aussi des informations sur les projets et les publications retirées ou remplacées.

- Just Published CEI: www.iec.ch/online_news/justpub

Restez informé sur les nouvelles publications de la CEI. Just Published détaille deux fois par mois les nouvelles publications parues. Disponible en-ligne et aussi par email.

- Electropedia: www.electropedia.org

Le premier dictionnaire en ligne au monde de termes électroniques et électriques. Il contient plus de 20 000 termes et définitions en anglais et en français, ainsi que les termes équivalents dans les langues additionnelles. Egalement appelé Vocabulaire Electrotechnique International en ligne.

- Service Clients: www.iec.ch/webstore/custserv/custserv_entry-f.htm

Si vous désirez nous donner des commentaires sur cette publication ou si vous avez des questions, visitez le FAQ du Service clients ou contactez-nous:

Email: csc@iec.ch
Tél.: +41 22 919 02 11
Fax: +41 22 919 03 00

INTERNATIONAL STANDARD

NORME INTERNATIONALE

Radio data system (RDS) – Receiver products and characteristics – Methods of measurement

Système de radiodiffusion de données – Caractéristiques et méthodes de mesure des récepteurs RDS

INTERNATIONAL
ELECTROTECHNICAL
COMMISSION

COMMISSION
ELECTROTECHNIQUE
INTERNATIONALE

PRICE CODE
CODE PRIX



ICS 33.060.20

ISBN 978-2-88912-503-6

CONTENTS

FOREWORD.....	4
INTRODUCTION.....	6
1 Scope.....	7
2 Normative references.....	7
3 Terms, definitions and abbreviations.....	7
3.1 Terms and definitions.....	7
3.2 Abbreviations.....	8
4 Measuring method.....	8
4.1 Standard measuring signal.....	8
4.2 RDS data conditions.....	9
4.2.1 General.....	9
4.2.2 Matching circuit.....	9
5 Measurement of the RDS sensitivity.....	10
5.1 General.....	10
5.2 Method of measurement.....	10
5.3 Presentation of the results.....	10
6 Measurement of the RDS data acquisition.....	10
6.1 General.....	10
6.2 Time to synchronise.....	10
6.3 Time to detect a first PI.....	11
6.4 Method of measurement.....	11
7 Measurement of the large signal capabilities.....	11
7.1 General.....	11
7.2 Resistance to high wanted signal levels.....	11
7.2.1 Method of measurement.....	11
7.2.2 Large wanted signal requirement.....	11
7.3 RDS performance at large unwanted signal.....	11
7.3.1 Method of measurement.....	11
7.3.2 Large unwanted signal requirements.....	12
8 Measurement of the RDS selectivity.....	12
8.1 General.....	12
8.2 Method of measurement.....	12
9 Considerations and guidelines for evaluation of the dynamic RDS performance.....	13
9.1 General.....	13
9.2 RDS dynamic behaviour.....	13
9.3 Traffic announcements TA/TP.....	14
9.3.1 TA message.....	14
9.3.2 End of TA message.....	14
9.3.3 TP search.....	14
9.3.4 TA announcement skip.....	14
9.4 Regionalisation.....	15
9.4.1 Implementations.....	15
9.4.2 Requirement.....	15
Bibliography.....	16

Figure 1 – Coupling circuit	9
Figure 2 – Matching circuits for RDS product devices with three different input impedances	9
Table 1 – Presentation of the measurement result	12
Table 2 – AF example	15

iTeh STANDARD PREVIEW
(standards.iteh.ai)

IEC 62634-1:2011

<https://standards.iteh.ai/catalog/standards/sist/9c41e309-5cdf-44f4-ba06-79e4803d39b0/iec-62634-1-2011>

Withhold

INTERNATIONAL ELECTROTECHNICAL COMMISSION

**RADIO DATA SYSTEM (RDS) –
RECEIVER PRODUCTS AND CHARACTERISTICS –
METHODS OF MEASUREMENT**

FOREWORD

- 1) The International Electrotechnical Commission (IEC) is a worldwide organization for standardization comprising all national electrotechnical committees (IEC National Committees). The object of IEC is to promote international co-operation on all questions concerning standardization in the electrical and electronic fields. To this end and in addition to other activities, IEC publishes International Standards, Technical Specifications, Technical Reports, Publicly Available Specifications (PAS) and Guides (hereafter referred to as "IEC Publication(s)"). Their preparation is entrusted to technical committees; any IEC National Committee interested in the subject dealt with may participate in this preparatory work. International, governmental and non-governmental organizations liaising with the IEC also participate in this preparation. IEC collaborates closely with the International Organization for Standardization (ISO) in accordance with conditions determined by agreement between the two organizations.
- 2) The formal decisions or agreements of IEC on technical matters express, as nearly as possible, an international consensus of opinion on the relevant subjects since each technical committee has representation from all interested IEC National Committees.
- 3) IEC Publications have the form of recommendations for international use and are accepted by IEC National Committees in that sense. While all reasonable efforts are made to ensure that the technical content of IEC Publications is accurate, IEC cannot be held responsible for the way in which they are used or for any misinterpretation by any end user.
- 4) In order to promote international uniformity, IEC National Committees undertake to apply IEC Publications transparently to the maximum extent possible in their national and regional publications. Any divergence between any IEC Publication and the corresponding national or regional publication shall be clearly indicated in the latter.
- 5) IEC itself does not provide any attestation of conformity. Independent certification bodies provide conformity assessment services and, in some areas, access to IEC marks of conformity. IEC is not responsible for any services carried out by independent certification bodies.
- 6) All users should ensure that they have the latest edition of this publication.
- 7) No liability shall attach to IEC or its directors, employees, servants or agents including individual experts and members of its technical committees and IEC National Committees for any personal injury, property damage or other damage of any nature whatsoever, whether direct or indirect, or for costs (including legal fees) and expenses arising out of the publication, use of, or reliance upon, this IEC Publication or any other IEC Publications.
- 8) Attention is drawn to the Normative references cited in this publication. Use of the referenced publications is indispensable for the correct application of this publication.
- 9) Attention is drawn to the possibility that some of the elements of this IEC Publication may be the subject of patent rights. IEC shall not be held responsible for identifying any or all such patent rights.

International Standard IEC 62634 has been prepared by technical area 1: Terminals for audio, video and data services and content, of IEC technical committee 100: Audio, video and multimedia systems and equipment.

International Standard IEC 62634 cancels and replaces IEC 60315-9, published in 1996, and constitutes a technical revision.

This edition includes the following significant technical changes with respect to IEC 60315-9:

- use of state-of-the-art measuring methods based on today's RDS products,
- provision of realistic performance targets,
- is complementary to RDS standard IEC 62106 (2009),
- it covers the challenging RDS receiving conditions "weak signal", "adjacent channel" and "strong signal" to verify the required RDS sensitivity and selectivity for three different RDS product categories.

The text of this standard is based on the following documents:

FDIS	Report on voting
100/1813/FDIS	100/1850/RVD

Full information on the voting for the approval of this standard can be found in the report on voting indicated in the above table.

This publication has been drafted in accordance with the ISO/IEC Directives, Part 2.

The committee has decided that the contents of this publication will remain unchanged until the stability date indicated on the IEC web site under "<http://webstore.iec.ch>" in the data related to the specific publication. At this date, the publication will be

- reconfirmed,
- withdrawn,
- replaced by a revised edition, or
- amended.

iTeh STANDARD PREVIEW
(standards.iteh.ai)

IEC 62634-1:2011

<https://standards.iteh.ai/catalog/standards/sist/5c1e309-5cdf-44f4-ba06-79e4803d39b0/iec-62634-1-2011>

Withhold

INTRODUCTION

This International Standard gives commonly agreed measuring methods to complement the RDS standard IEC 62106 (2009) and the RBDS standard (NRSC-4-A) in the USA.

The RDS measuring methods presented here are directed at all manufacturers of RDS receiver products, and in particular tuner modules with embedded RDS functionality, including TMC (see ISO 14819 series of standards).

Withhold

iTeh STANDARD PREVIEW
(standards.iteh.ai)

<https://standards.iteh.ai/catalog/standards/sist/5c1e309-5cdf-44f4-ba06-79e4803d39b0/iec-62634-2011>

RADIO DATA SYSTEM (RDS) – RECEIVER PRODUCTS AND CHARACTERISTICS – METHODS OF MEASUREMENT

1 Scope

This International Standard describes how to measure minimum RDS receiver performance requirements which concern three RDS receiver product categories. However, it should be noted that there are also RDS receiver products on the market that significantly out-perform the minimum RDS receiver performance requirements quoted.

Methods and algorithms to achieve automatic programme service-following by means of AF lists are, however, very customer- and manufacturer-specific, and are therefore not covered in this standard.

2 Normative references

The following referenced documents are indispensable for the application of this document. For dated references, only the edition cited applies. For undated references, the latest edition of the referenced document (including any amendments) applies.

IEC 62106:2009, *Specification of the radio data system (RDS) for VHF/FM sound broadcasting in the frequency range from 87,5 MHz to 108,0 MHz*

3 Terms, definitions and abbreviations

3.1 Terms and definitions

For the purpose of this document, the following terms and definitions apply.

3.1.1

RDS product category 1

RDS receiver product with high-ohmic input impedance (e.g. for portable devices)

3.1.2

RDS product category 2

RDS receiver product with 50 Ω input impedance (e.g. car radio optimized for active antenna)

3.1.3

RDS product category 3

RDS receiver product with 75 Ω input impedance (e.g. car radio optimized for rod antenna or home receiver)

3.1.4

RDS reception

the signal at which the RDS signal is received with 50 % non-corrected error-free blocks; in practice, the level at which the TP bit is immediately detected

3.1.5

large signal behaviour

capability of the RDS receiver to fulfil its function at or in the neighbourhood of strong FM signals

3.1.6**RDS selectivity**

capability of the RDS receiver to cope with adjacent signals at both sides of the tuning frequency: ± 100 kHz, ± 200 kHz

3.2 Abbreviations

For the purpose of this document, the following abbreviations apply.

AF	Alternative Frequency
dB μ V	Signal level in μ V; 0 dB μ V = 1 μ V, 6 dB μ V = 2 μ V, 20 dB μ V = 10 μ V
EON	Enhanced Other Networks information
FM	Frequency Modulation
GUI	Graphic User Interface
IPR	Intellectual Property Rights
PI	Programme Identification
PND	Personal Navigation Device
PS	Programme Service name
PTY	Programme TYPe
RDS	Radio Data System
RBDS	USA Radio Data System ¹
S+100	Unwanted signal, +100 kHz offset from the wanted signal
S-100	Unwanted signal, -100 kHz offset from the wanted signal
TA/TP	Traffic Announcement/Traffic Programme
TMC	Traffic Message Channel

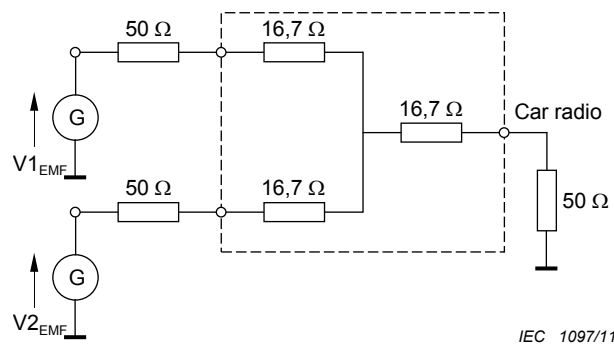
4 Measuring method**4.1 Standard measuring signal**

Unless otherwise stated, the following measuring signal shall be applied.

- Tuning Frequency 97,1 MHz
- Signal input level V_i 60 dB μ V
- Deviation Δf 22,5 kHz
- Modulation frequency F_{mod} 1 kHz
- Pilot 19 kHz deviation 6,75 kHz
- Modulation method $L = R$
- Deviation RDS carrier Δf_{RDS} 2 kHz
- De-emphasis 50 μ s (USA: 75 μ s)

Where an unwanted signal will be added, for RDS car radio selectivity measurements, this will be done with the coupling circuit shown in Figure 1. The circuit shows how to couple two generators with 50 Ω output so that the total output impedance remains 50 Ω . Depending on the input impedance, one of the matching circuits shown in Figure 2 should be applied in addition.

¹ See NRSC-4-A, RBDS standard cited in the Bibliography.



IEC 1097/11

Coupling circuit to be used to add the unwanted signal $V2_{EMF}$ for two signal measurements of an RDS product.

Figure 1 – Coupling circuit

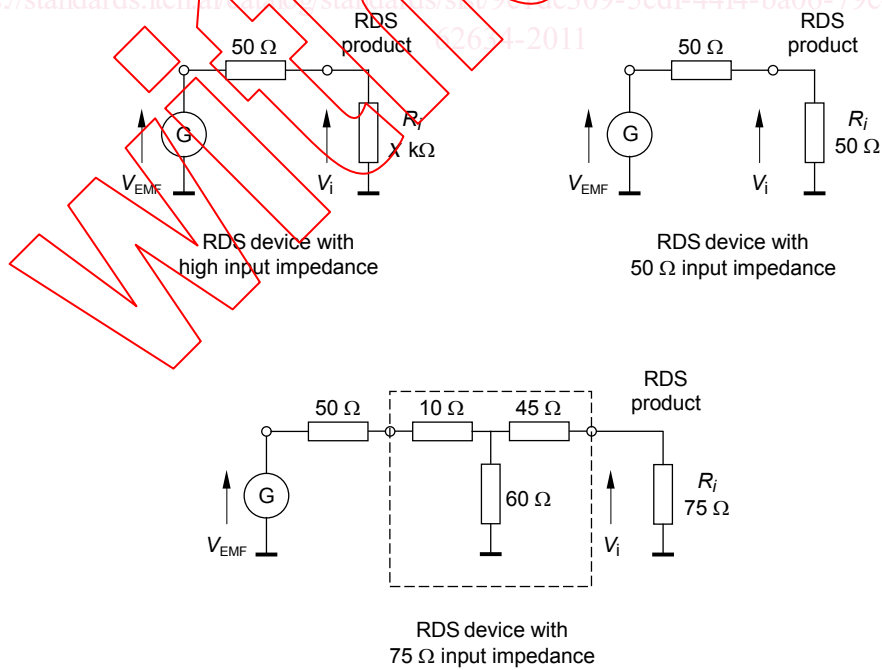
4.2 RDS data conditions

4.2.1 General

The RDS data shall consist of an appropriate PI code, a PS name, one or more AFs and chosen values for, e.g. TP (=1), DI (=0000), TA (=0), PTY (=00001) and M/S (=1), with a maximum repetition rate for group type 0A of four groups per second. Use group type A only.

4.2.2 Matching circuit

For the three types of RDS product devices (modules for portable devices, car radio and home receiver), the matching circuit is given in Figure 2.



IEC 1098/11

Figure 2 – Matching circuits for RDS product devices with three different input impedances

RF generators have a characteristic impedance of 50 Ω. For a device with an input impedance of 50 Ω, no additional matching circuit is needed. The antenna input signal V_i is then $V_{EMF} - 6$ dB. In case of a category 1 device like a PND, which generally has a high input impedance, V_i is then almost equal to the generator voltage V_{EMF} . When the input impedance cannot be ignored in relation to the 50 Ω generator impedance, the correction shall be calculated separately.

Example: For a device with 2 kΩ input impedance this will give $V_i = V_{EMF} \times 2\,000 / (2\,000 + 50)$ and in dBμV this yields $V_i \text{ dB}\mu\text{V} = V_{EMF} \text{ dB}\mu\text{V} - 0,2 \text{ dB}\mu\text{V}$.

5 Measurement of the RDS sensitivity

5.1 General

The lowest FM input signal is determined for which RDS reception is obtained.

5.2 Method of measurement

The receiver and the signal source are operated under standard measuring conditions, according to 4.1.

- a) When a GUI is available, which is capable of measuring good and bad blocks, then a reading of 50 % good blocks is an accurate result for the sensitivity measurement. The ratio should be calculated over at least 2 000 receivable blocks.
- b) A good alternative in the case, where a GUI and statistical read-out is not available to measure the level of correctly received RDS blocks, is the TP flag.

Turn the signal level up until 50 % error free RDS blocks are received. Alternatively, turn the signal level up until the TP flag lights up. Repeat this three times and take the average value of these three observations.

NOTE If the TP flag cannot be displayed, then the complete PS can be used instead. However, care should be taken that a new programme service name is entered into the RDS encoder each time a new measurement is done. The new programme service name shall differ from the previous one in all eight characters.

5.3 Presentation of the results

The result is presented in dBμV

Minimum receiver sensitivity requirement:	RDS product category 1	21 dBμV
	RDS product category 2	18 dBμV
	RDS product category 3	18 dBμV

6 Measurement of the RDS data acquisition

6.1 General

Particularly for tuner modules or circuits with RDS fully integrated for mobile use, it is important to know the time to synchronize after a re-tune. Strongly related to this is the time to receive the PI code for the first time.

6.2 Time to synchronise

When tuned to an FM-RDS station, it is important to have RDS synchronisation immediately.