

**SLOVENSKI STANDARD**  
**SIST EN 3760:2001****01-januar-2001**

---

**Aerospace series - Screws, 100- countersunk normal head, offset cruciform recess, threaded to head, in heat and corrosion resisting steel, passivated - Classification: 1 100 MPa (at ambient temperature)/425 °C**

Aerospace series - Screws, 100° countersunk normal head, offset cruciform recess, threaded to head, in heat and corrosion resisting steel, passivated - Classification: 1 100 MPa (at ambient temperature)/425 °C

Luft- und Raumfahrt - 100° Senkschrauben mit Flügelkreuzschlitz, Gewinde annähernd bis Kopf, aus korrosionsbeständigem und hochwärmfestem Stahl, passiviert - Klasse: 1 100 MPa (bei Raumtemperatur)/425 °C

**iTeh STANDARD PREVIEW**  
(standards.iteh.ai)

[SIST EN 3760:2001](https://standards.iteh.ai/catalog/standards/sist/0181957c-4907-4e29-9f18-32ced0-0ab000000000/0181957c-4907-4e29-9f18-32ced0-0ab000000000)

[https://standards.iteh.ai/catalog/standards/sist/0181957c-4907-4e29-9f18-](https://standards.iteh.ai/catalog/standards/sist/0181957c-4907-4e29-9f18-32ced0-0ab000000000/0181957c-4907-4e29-9f18-32ced0-0ab000000000)

Série aérospatiale - Vis à tête fraisée 100° normale, à empreinte cruciforme déportée, filetées jusqu'à proximité de la tête, en acier résistant à chaud et à la corrosion, passivées - Classification: 1 100 MPa (à température ambiante)/425 °C

**Ta slovenski standard je istoveten z: EN 3760:1996**

---

**ICS:**

49.030.20 Sorniki, vijaki, stebelni vijaki Bolts, screws, studs

**SIST EN 3760:2001****en**

**iTeh STANDARD PREVIEW**  
**(standards.iteh.ai)**

SIST EN 3760:2001

<https://standards.iteh.ai/catalog/standards/sist/0181957c-4907-4e29-9f18-d240ed8100a3/sist-en-3760-2001>

EUROPEAN STANDARD

EN 3760

NORME EUROPÉENNE

EUROPÄISCHE NORM

September 1996

ICS 49.040.20

Descriptors: aircraft industry, screw, countersunk head screw, cross recessed screw, heat resistant steel, corrosion resistant steel, specification, dimension, dimensional tolerance, surface treatment, designation, marking

English version

**Aerospace series - Screws, 100° countersunk normal head, offset cruciform recess, threaded to head, in heat and corrosion resisting steel, passivated - Classification: 1 100 MPa (at ambient temperature)/425 °C**

iTech STANDARD PREVIEW

Série aéronautique - Vis à tête fraisée 100° normale, à empreinte cruciforme déportée, filetées jusqu'à proximité de la tête, en acier résistant à chaud et à la corrosion, passivées - Classification: 1 100 MPa (à température ambiante)/425 °C

Luft- und Raumfahrt - 100° Senkschrauben mit Flügelkreuzschlitz, Gewinde annähernd bis Kopf, aus korrosionsbeständigem und hochwarmfestem Stahl, passiviert - Klasse: 1 100 MPa (bei Raumtemperatur)/425 °C

SIST EN 3760:2001

<https://standards.iteh.ai/catalog/standards/sist/0181957c-4907-4e29-9f18-d240ed8100a3/sist-en-3760-2001>

This European Standard was approved by CEN on 1996-06-29. CEN members are bound to comply with the CEN/CENELEC Internal Regulations which stipulate the conditions for giving this European Standard the status of a national standard without any alteration.

Up-to-date lists and bibliographical references concerning such national standards may be obtained on application to the Central Secretariat or to any CEN member.

The European Standards exist in three official versions (English, French, German). A version in any other language made by translation under the responsibility of a CEN member into its own language and notified to the Central Secretariat has the same status as the official versions.

CEN members are the national standards bodies of Austria, Belgium, Denmark, Finland, France, Germany, Greece, Iceland, Ireland, Italy, Luxembourg, Netherlands, Norway, Portugal, Spain, Sweden, Switzerland and United Kingdom.

# CEN

European Committee for Standardization  
Comité Européen de Normalisation  
Europäisches Komitee für Normung

Central Secretariat: rue de Stassart, 36 B-1050 Brussels

Page 2  
EN 3760:1996

## Foreword

This European Standard has been prepared by the European Association of Aerospace Manufacturers (AECMA).

After inquiries and votes carried out in accordance with the rules of this Association, this Standard has received the approval of the National Associations and the Official Services of the member countries of AECMA, prior to its presentation to CEN.

This European Standard shall be given the status of a national standard, either by publication of an identical text or by endorsement, at the latest by March 1997, and conflicting national standards shall be withdrawn at the latest by March 1997.

According to the CEN/CENELEC Internal Regulations, the national standards organizations of the following countries are bound to implement this European Standard: Austria, Belgium, Denmark, Finland, France, Germany, Greece, Iceland, Ireland, Italy, Luxembourg, Netherlands, Norway, Portugal, Spain, Sweden, Switzerland and the United Kingdom.

SIST-EN 3760:2001

<https://standards.iteh.ai/catalog/standards/sist/0181957c-4907-4e29-9f18->

AL IDENCIO EAZI JIJU ER  
MORIS IN TEGMUS OVTBICE AS OVTGTEHIM  
epolozom ni djendibabrio as ER botU  
ANALJBUJ

1985 -18- .....T810  
ENTICALDSAN IGOTEM O4 TRSVERB

## 1 Scope

This standard specifies the characteristics of screws, 100° countersunk normal head, offset cruciform recess, threaded to head, in heat and corrosion resisting steel, passivated.

Classification : 1 100 MPa <sup>1)</sup> / 425 °C <sup>2)</sup>

## 2 Normative references

This European Standard incorporates by dated or undated reference provisions from other publications. These normative references are cited at the appropriate places in the text and the publications are listed hereafter. For dated references, subsequent amendments to or revisions of any of these publications apply to this European Standard only when incorporated in it by amendment or revision. For undated references the latest edition of the publication referred to applies.

ISO 3353	Aerospace - Rolled threads for bolts - Lead and runout requirements
ISO 5855-2	Aerospace - MJ threads - Part 2 : Limit dimensions for bolts and nuts
ISO 7913	Aerospace - Bolts and screws, metric - Tolerances of form and position
ISO 7994	Aerospace - Internal drive, offset cruciform recess (Torq-Set®) for rotary fastening devices - Metric series
ISO 8168	Aerospace - Corrosion and heat resisting steel bolts with strength classification 1 100 MPa and MJ threads - Procurement specification
EN 2000	Aerospace series - Quality assurance - EN aerospace products - Approval of the quality system of manufacturers
EN 2424	Aerospace series - Marking of aerospace products
EN 2516	Aerospace series - Passivation of corrosion resistant steels and decontamination of nickel base alloys <sup>3)</sup>
TR 3775	Aerospace series - Bolts and pins - National materials <sup>4)</sup>

---

1) Minimum tensile strength of the material at ambient temperature

2) Maximum temperature that the screw can withstand without continuous change in its original characteristics, after return to ambient temperature. The maximum temperature is determined by the material.

3) Published as AECMA Standard at the date of publication of this standard

4) Published as AECMA Technical Report at the date of publication of this standard

### **3 Required characteristics**

#### **3.1 Configuration - Dimensions - Masses**

See figure 1 and table 1.

Dimensions and tolerances are expressed in millimetres and apply after surface treatment.

#### **3.2 Tolerances of form and position**

ISO 7913

#### **3.3 Materials**

TR 3775 (heat and corrosion resisting steel, strength class 1 100 MPa)

#### **3.4 Surface treatment**

EN 2516

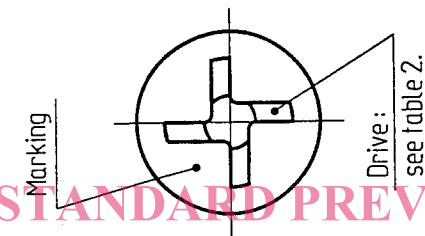
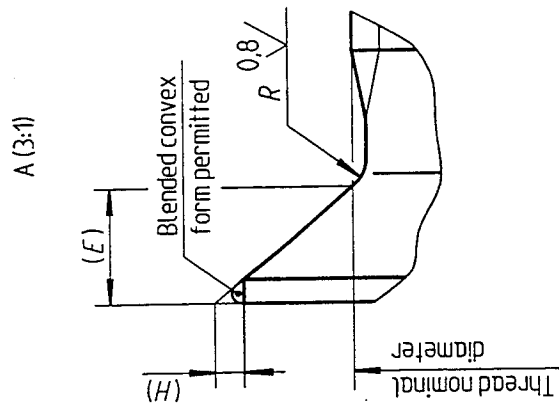
**iTeh STANDARD PREVIEW**  
**(standards.iteh.ai)**

SIST EN 3760:2001

<https://standards.iteh.ai/catalog/standards/sist/0181957c-4907-4e29-9f18-d240ed8100a3/sist-en-3760-2001>

$3,2 \sqrt{0,8}$  Values in micrometres apply prior to surface treatment.

Break sharp edges 0,1 to 0,4.



iTeh STANDARD PREVIEW  
(standards.iteh.ai)

<https://standards.iteh.ai/catalog/standards/sist/0181957c-4907-4e29-9f18-d240ed818a3/sist-en-3760-2001>

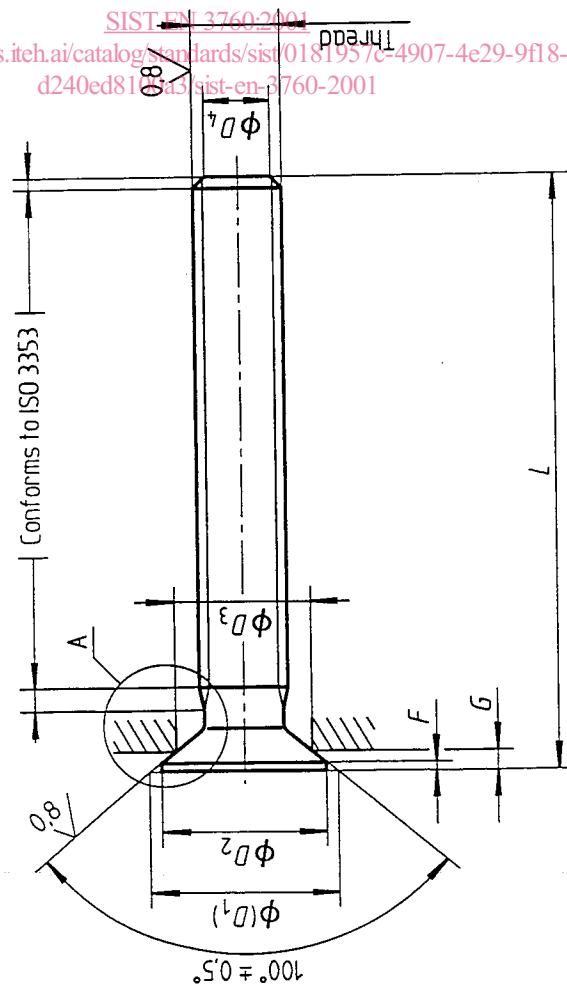


Figure 1

Table 1

Diameter code	Thread <sup>1)</sup>	D <sub>1</sub> max.	D <sub>2</sub> min.	D <sub>3</sub>	D <sub>4</sub>		E	F min.	G 0 - 0,08	H	L + 0,3 <sup>2) 3)</sup>		R		Mass <sup>4)</sup>	
					nom.	Tol.					Code	nom.	nom.	Tol.	5)	6)
030	MJ3x0,5 - 4h6h	6	5,4	4,5	2,3	0	1,27	0,06	0,63	0,3	006 to 042	6 to 42	0,4	0,39	0,11	
040	MJ4x0,7 - 4h6h	8	7,2	5,78	3	- 0,5	1,69	0,08	0,93	0,4	008 to 056	8 to 56		0,94	0,20	
050	MJ5x0,8 - 4h6h	10	9	7,71	3,4		2,12		0,96	0,5	010 to 070	10 to 70	0,5	1,8	0,31	
060	MJ6x1 - 4h6h	12	10,8	9	4,2		2,54		1,26		012 to 084	12 to 84		3,15	0,44	
070	MJ7x1 - 4h6h	14	12,8	10,28	5,2		2,96		1,57		012 to 098	12 to 98	0,7	4,48	0,60	
080	MJ8x1 - 4h6h	16	14,8	12,21	6,2	± 0,5	3,39	0,1	1,6	0,6	014 to 112	14 to 112		6,81	0,78	
100	MJ10x1,25 - 4h6h	20	18,8	15,43	7,9		4,23		1,93		018 to 140	18 to 140	0,8	13,72	1,22	
120	MJ12x1,25 - 4h6h	24	22,8	18	9,8		5,08		2,53		020 to 168	20 to 168	0,9	22,45	1,76	

1) In accordance with ISO 5855-2

2) Increments :

2 for L ≤ 100

4 for L &gt; 100

3) If greater lengths are required, they shall be chosen using the above increments. The length code corresponds to the length L, completed by one or two zeros to the left, where necessary, to obtain a three digit code.

4) Approximate values (kg/1 000 pieces), calculated on the basis of 7,85 kg/dm<sup>3</sup> given for information purposes only

5) Value for first L

6) Increase for each additional 2 mm of L.