



# SLOVENSKI STANDARD SIST EN 3788:2004

01-maj-2004

## Aerospace series - Pipe coupling 8°30' - Protective caps

Aerospace series - Pipe coupling 8°30' - Protective caps

Luft- und Raumfahrt - Rohrverschraubung 8°30' - Schutzkappen

Série aérospatiale - Systeme de raccordement 8°30' - Capuchons de protection

ITEH STANDARD PREVIEW  
(standards.iteh.ai)

Ta slovenski standard je istoveten z: EN 3788:2001

SIST EN 3788:2004

<https://standards.iteh.ai/catalog/standards/sist/0a8703f5-c06b-46f5-ae1b-812594b4b1ee/sist-en-3788-2004>

### ICS:

49.080	Ščepni zbirni sistemi za tekočine in pline v letalski in vesoljski tehniki	Aerospace fluid systems and components
--------	--	--

SIST EN 3788:2004

en

**iTeh STANDARD PREVIEW**  
**(standards.iteh.ai)**

[SIST EN 3788:2004](#)

<https://standards.iteh.ai/catalog/standards/sist/0a8703f5-c06b-46f5-ac1b-812594b4b1ee/sist-en-3788-2004>

ICS 49.080

English version

## Aerospace series - Pipe coupling 8°30' - Protective caps

Série aérospatiale - Système de raccordement 8°30' -  
Capuchons de protectionLuft- und Raumfahrt - Rohrverschraubung 8°30' -  
Schutzkappen

This European Standard was approved by CEN on 29 December 2000.

CEN members are bound to comply with the CEN/CENELEC Internal Regulations which stipulate the conditions for giving this European Standard the status of a national standard without any alteration. Up-to-date lists and bibliographical references concerning such national standards may be obtained on application to the Management Centre or to any CEN member.

This European Standard exists in three official versions (English, French, German). A version in any other language made by translation under the responsibility of a CEN member into its own language and notified to the Management Centre has the same status as the official versions.

CEN members are the national standards bodies of Austria, Belgium, Czech Republic, Denmark, Finland, France, Germany, Greece, Iceland, Ireland, Italy, Luxembourg, Netherlands, Norway, Portugal, Spain, Sweden, Switzerland and United Kingdom.

ITeH STANDARD PREVIEW  
(standards.iteh.ai)

SIST EN 3788:2004

<https://standards.iteh.ai/catalog/standards/sist/0a8703f5-c06b-46f5-ae1b-812594b4b1ee/sist-en-3788-2004>



EUROPEAN COMMITTEE FOR STANDARDIZATION  
COMITÉ EUROPÉEN DE NORMALISATION  
EUROPÄISCHES KOMITEE FÜR NORMUNG

Management Centre: rue de Stassart, 36 B-1050 Brussels

## Foreword

This European Standard has been prepared by the European Association of Aerospace Manufacturers (AECMA).

After inquiries and votes carried out in accordance with the rules of this Association, this Standard has received the approval of the National Associations and the Official Services of the member countries of AECMA, prior to its presentation to CEN.

This European Standard shall be given the status of a national standard, either by publication of an identical text or by endorsement, at the latest by April 2002, and conflicting national standards shall be withdrawn at the latest by April 2002.

According to the CEN/CENELEC Internal Regulations, the national standards organizations of the following countries are bound to implement this European Standard: Austria, Belgium, Czech Republic, Denmark, Finland, France, Germany, Greece, Iceland, Ireland, Italy, Luxembourg, Netherlands, Norway, Portugal, Spain, Sweden, Switzerland and the United Kingdom.

<https://standards.iteh.ai/catalog/standards/sist/0a8703f5-c06b-46f5-ae1b-812594b4b1ee/sist-en-3788-2004>

## 1 Scope

This standard specifies the characteristics for protective caps for pipe couplings 8°30', used to protect metric pipe ends during transportation and storage, for aerospace applications. The caps shall be pushed on/off the tube ends.

## 2 Normative references

This European Standard incorporates by dated or undated reference provisions from other publications. These normative references are cited at the appropriate places in the text and the publications are listed hereafter. For dated references, subsequent amendments to or revisions of any of these publications apply to this European Standard only when incorporated in it by amendment or revision. For undated references, the latest edition of the publication referred to applies (including amendments).

ISO 2768-1      General tolerances – Part 1: Tolerances for linear and angular dimensions without individual tolerance indications

EN 2424        Aerospace series – Marking of aerospace products

## 3 Required characteristics

### 3.1 Configuration – Dimensions

According to figure 1 and table 1

The dimensions not specified are at the manufacturer's option.

SIST EN 3788:2004  
<https://standards.iteh.ai/catalog/standards/sist/0a8703f5-c06b-46f5-ae1b-812594b4b1ee/sist-en-3788-2004>

### 3.2 Characteristics

The caps shall be without any visible contamination. Internal surfaces and end surfaces shall be free from burrs.

The caps shall be firmly attached to the pipe, but be able to be removed by finger force.

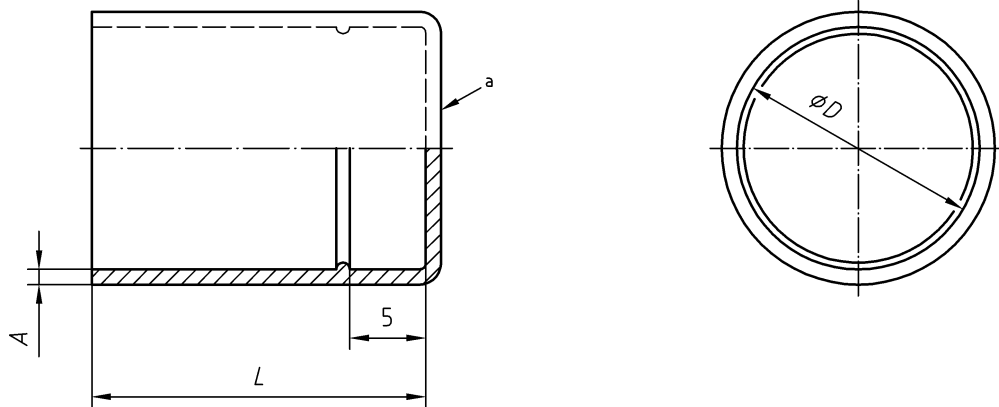
EN 3788:2001 (E)

### 3.3 Material

Polyethylene, grade I, virgin (LDPE)

Colour: white

Dimensions in millimetres



a Area for marking

NOTE General tolerances see ISO 2768-1

**iTeh STANDARD PREVIEW**  
 (standards.iteh.ai)

**Figure 1**  
 SIST EN 3788:2004

<https://standards.iteh.ai/catalog/standards/sist/0a8703f5-c06b-46f5-ae1b-812594b4b1ee/sist-en-3788-2004>

**Table 1**

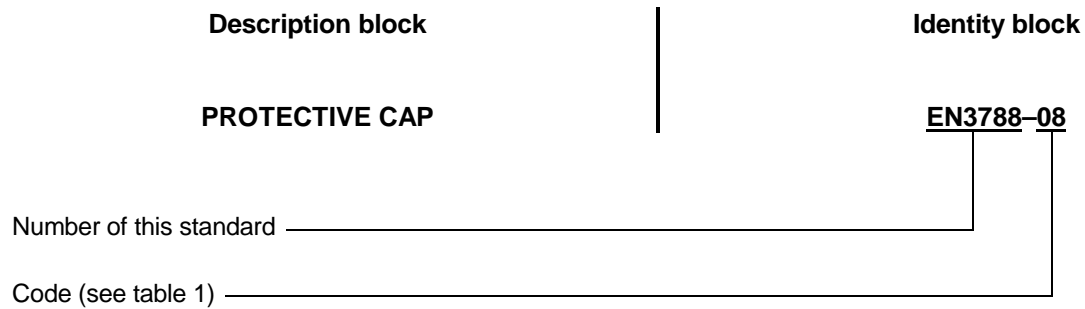
Dimensions in millimetres

Code <sup>a</sup>	A	D	L
<b>05</b>	0,8	5	22
<b>06</b>	0,8	6	22
<b>08</b>	0,8	8	22
<b>10</b>	0,8	10	22
<b>12</b>	1,0	12	22
<b>14</b>	1,0	14	22
<b>16</b>	1,0	16	22
<b>18</b>	1,0	18	22
<b>20</b>	1,0	20	22
<b>22</b>	1,0	22	22
<b>25</b>	1,0	25	22
<b>28</b>	1,0	28	22
<b>32</b>	1,0	32	22

<sup>a</sup> Corresponds to the pipe nominal outside diameter  
 NOTE Parts are supplied with a molding ring for extra gripping power

## 4 Designation

EXAMPLE:



NOTE: If necessary, the code I9005 shall be placed between the description block and the identity block.

## 5 Marking

According to EN 2424, style F plus code of table 1 and figure 1

**iTeh STANDARD PREVIEW**  
**(standards.iteh.ai)**

SIST EN 3788:2004

<https://standards.iteh.ai/catalog/standards/sist/0a8703f5-c06b-46f5-ae1b-812594b4b1ee/sist-en-3788-2004>