



**SLOVENSKI STANDARD**  
**SIST EN 4017:2002**  
**01-januar-2002**

**Aerospace series - Pipe coupling 8°30' in titanium alloy - Elbows 90o**

Aerospace series - Pipe coupling 8°30' in titanium alloy - Elbows 90°

Luft- und Raumfahrt - Rohrverschraubung 8°30' aus Titanlegierung - Winkelverschraubung 90°

Série aérospatiale - Systeme de raccordement 8°30' en alliage de titane - Raccords coudés a 90°

**ITeH STANDARD PREVIEW**  
**(standards.iteh.ai)**

Ta slovenski standard je istoveten z: **EN 4017:2001**  
<https://standards.iteh.ai/catalog/standards/sist/8ebc451c-beb5-4dff-9bc9-d96a89c38ab4/sist-en-4017-2002>

**ICS:**

49.080 Štepanj [b]ã Aerospace fluid systems and components

**SIST EN 4017:2002** **en**

**iTeh STANDARD PREVIEW**  
**(standards.iteh.ai)**

SIST EN 4017:2002

<https://standards.iteh.ai/catalog/standards/sist/8e0c43fc-beb5-4dff-9bc9-d96a89c38ab4/sist-en-4017-2002>

**iTeh STANDARD PREVIEW**  
**(standards.iteh.ai)**

SIST EN 4017:2002

<https://standards.iteh.ai/catalog/standards/sist/8e0c43fc-beb5-4dff-9bc9-d96a89c38ab4/sist-en-4017-2002>

**iTeh STANDARD PREVIEW**  
**(standards.iteh.ai)**

SIST EN 4017:2002

<https://standards.iteh.ai/catalog/standards/sist/8e0c43fc-beb5-4dff-9bc9-d96a89c38ab4/sist-en-4017-2002>

**iTeh STANDARD PREVIEW**  
**(standards.iteh.ai)**

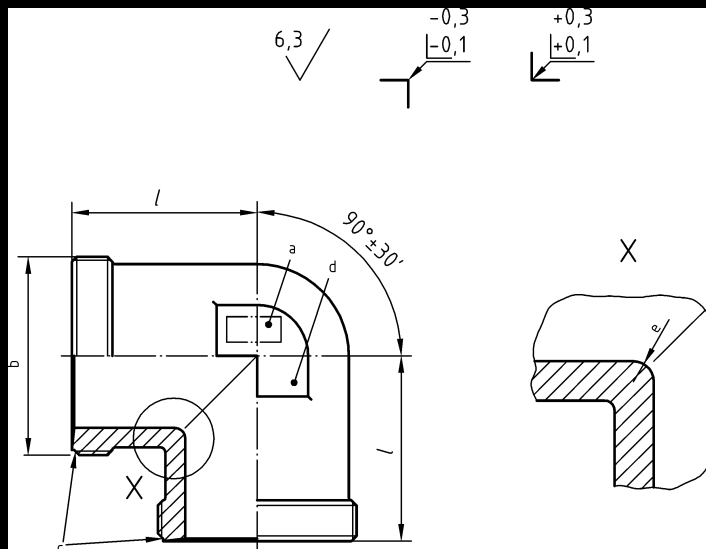
SIST EN 4017:2002

<https://standards.iteh.ai/catalog/standards/sist/8e0c43fc-beb5-4dff-9bc9-d96a89c38ab4/sist-en-4017-2002>

# iTeh STANDARD PREVIEW (standards.iteh.ai)

SIST EN 4017:2002

<https://standards.iteh.ai/catalog/standards/sist/8e0c43fc-beb5-4dff-9bc9-d96a89c38ab4/sist-en-4017-2002>



## iTeh STANDARD PREVIEW (standards.iteh.ai)

SIST EN 4017:2002

<https://standards.iteh.ai/catalog/standards/sist/8e0c43fc-beb5-4dff-9bc9-d96a89c38ab4/sist-en-4017-2002>

Description block	Identity block
ELBOW 90°	EN4017-05
Number of this standard	Code (see table 1)