



**SLOVENSKI STANDARD  
SIST EN 4022:2004**

**01-maj-2004**

**Aerospace series - Pipe coupling 8°30' in titanium alloy - Elbows 90° bulkhead, welded end**

Aerospace series - Pipe coupling 8°30' in titanium alloy - Elbows 90° bulkhead, welded end

Luft- und Raumfahrt - Rohrverschraubung 8°30' aus Titanlegierung - Winkelverschraubungen 90° mit Anschweißende

Série aérospatiale - Systeme de raccordement 8°30' en alliage de titane - Raccords coudés a 90° pour traversée de cloison, a souder

<https://standards.iteh.ai/catalog/standards/sist/cf0dda2e-3f42-4449-802b-e29268657d9a/sist-en-4022-2004>

**Ta slovenski standard je istoveten z: EN 4022:2001**

**ICS:**

49.080

Štandardi za izdelavo in vzdrževanje letalskih sistemov in komponent

Aerospace fluid systems and components

**SIST EN 4022:2004**

**en**

**iTeh STANDARD PREVIEW**  
**(standards.iteh.ai)**

SIST EN 4022:2004

<https://standards.iteh.ai/catalog/standards/sist/cf0dda2e-3f42-4449-802b-e29268657d9a/sist-en-4022-2004>

**iTeh STANDARD PREVIEW**  
**(standards.iteh.ai)**

SIST EN 4022:2004

<https://standards.iteh.ai/catalog/standards/sist/cf0dda2e-3f42-4449-802b-e29268657d9a/sist-en-4022-2004>

**iTeh STANDARD PREVIEW**  
**(standards.iteh.ai)**

SIST EN 4022:2004

<https://standards.iteh.ai/catalog/standards/sist/cf0dda2e-3f42-4449-802b-e29268657d9a/sist-en-4022-2004>

**iTeh STANDARD PREVIEW**  
**(standards.iteh.ai)**

SIST EN 4022:2004

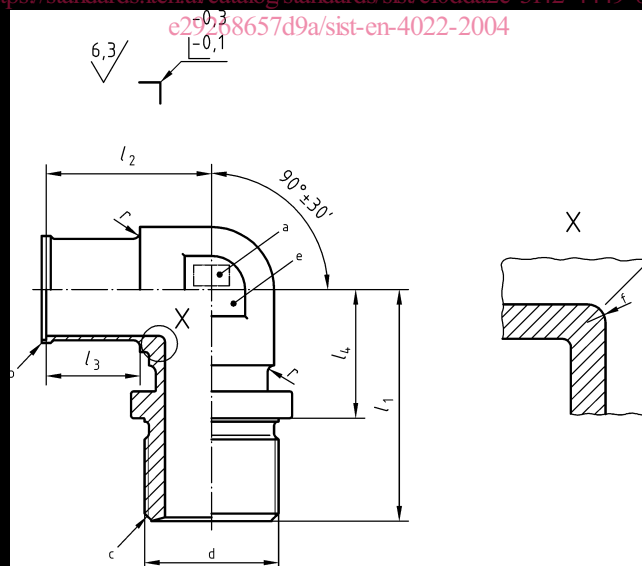
<https://standards.iteh.ai/catalog/standards/sist/cf0dda2e-3f42-4449-802b-e29268657d9a/sist-en-4022-2004>

# iTeh STANDARD PREVIEW (standards.iteh.ai)

SIST EN 4022:2004

[https://standards.iteh.ai/catalog/standards/sist/cf0dda2e-3f42-4449-802b-](https://standards.iteh.ai/catalog/standards/sist/cf0dda2e-3f42-4449-802b-e25238657d9a/sist-en-4022-2004)

[e25238657d9a/sist-en-4022-2004](https://standards.iteh.ai/catalog/standards/sist/cf0dda2e-3f42-4449-802b-e25238657d9a/sist-en-4022-2004)



**iTeh STANDARD PREVIEW**  
**(standards.iteh.ai)**

SIST EN 4022:2004

<https://standards.iteh.ai/catalog/standards/sist/cf0dda2e-3f42-4449-802b-e29268657d9a/sist-en-4022-2004>

Description block	Identity block
ELBOW 90°, BULKHEAD	EN4022-0806
Number of this standard	
Code (see table 1)	

**iTeh STANDARD PREVIEW**  
**(standards.iteh.ai)**

SIST EN 4022:2004

<https://standards.iteh.ai/catalog/standards/sist/cf0dda2e-3f42-4449-802b-e29268657d9a/sist-en-4022-2004>

