



**SLOVENSKI STANDARD**  
**SIST EN 4027:2002**  
**01-januar-2002**

**Aerospace series - Pipe coupling 8-30' in titanium alloy - Tees branch with thrust wire nut**

Aerospace series - Pipe coupling 8°30' in titanium alloy - Tees branch with thrust wire nut

Luft- und Raumfahrt - Rohrverschraubung 8°30' aus Titanlegierung - T-Verschraubungen seitlicher Auslass mit Mutter mit Schubdraht

**iTeh STANDARD PREVIEW**

Série aérospatiale - Systeme de raccordement 8°30' en alliage de titane - Raccords en té avec écrou a jonc en pied

[SIST EN 4027:2002](https://standards.itih.ai/catalog/standards/sist/d898734c-3e1c-4f52-9ec3-11211870791/sist-en-4027-2002)

**Ta slovenski standard je istoveten z: EN 4027:2001**

**ICS:**

49.080	Štandardi za tekočine in pline v letalstvu	Aerospace fluid systems and components
--------	--	--

**SIST EN 4027:2002** **en**

**iTeh STANDARD PREVIEW**  
**(standards.iteh.ai)**

SIST EN 4027:2002

<https://standards.iteh.ai/catalog/standards/sist/d898734c-3e1c-4f52-9ec3-ff121f870791/sist-en-4027-2002>

**iTeh STANDARD PREVIEW**  
**(standards.iteh.ai)**

SIST EN 4027:2002

<https://standards.iteh.ai/catalog/standards/sist/d898734c-3e1c-4f52-9ec3-ff121f870791/sist-en-4027-2002>

**iTeh STANDARD PREVIEW**  
**(standards.iteh.ai)**

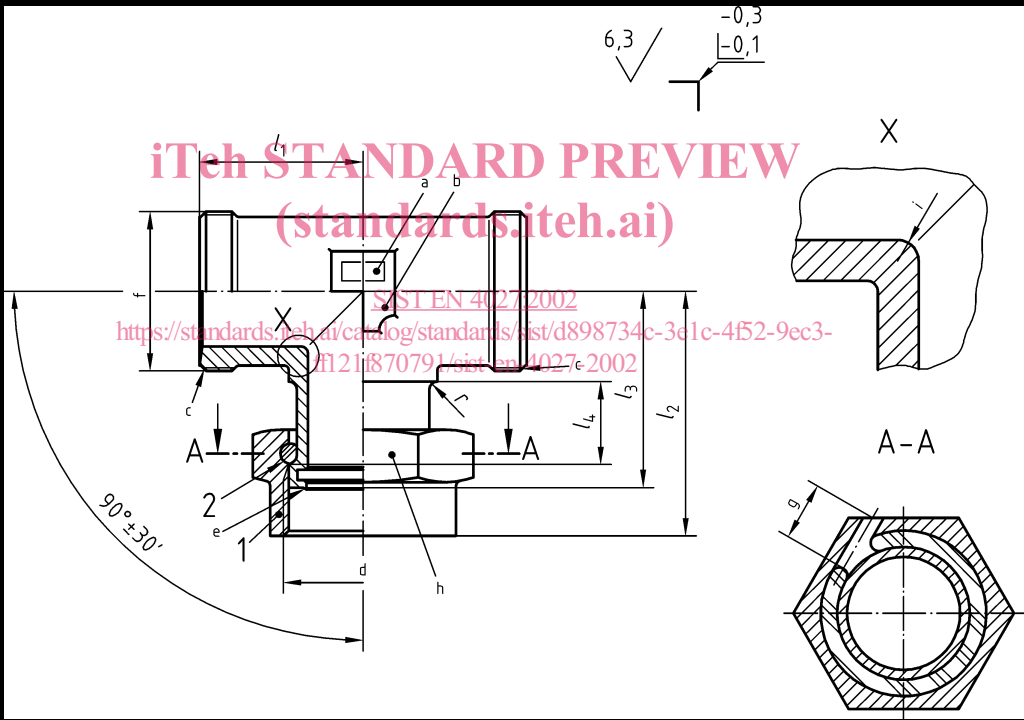
SIST EN 4027:2002

<https://standards.iteh.ai/catalog/standards/sist/d898734c-3e1c-4f52-9ec3-ff121f870791/sist-en-4027-2002>

**iTeh STANDARD PREVIEW**  
**(standards.iteh.ai)**

SIST EN 4027:2002

<https://standards.iteh.ai/catalog/standards/sist/d898734c-3e1c-4f52-9ec3-ff121f870791/sist-en-4027-2002>



**iTeh STANDARD PREVIEW**  
**(standards.iteh.ai)**

SIST EN 4027:2002

<https://standards.iteh.ai/catalog/standards/sist/d898734c-3e1c-4f52-9ec3-ff121f870791/sist-en-4027-2002>