



SLOVENSKI STANDARD
SIST EN 4030:2002
01-januar-2002

Aerospace series - Pipe coupling 8°30' in titanium alloy - Tees bulkhead on run

Aerospace series - Pipe coupling 8°30' in titanium alloy - Tees bulkhead on run

Luft- und Raumfahrt - Rohrverschraubung 8°30' aus Titanlegierung - T-Verschraubungen
 T-Durchgang als Schottanschluss

Série aérospatiale - Systeme de raccordement 8°30' en alliage de titane - Raccords en
 té
 pour traversée de cloison en ligne

STANDARD PREVIEW
(standards.iteh.ai)

[SIST EN 4030:2002](https://standards.iteh.ai/catalog/standards/sist/e2616429-3d3d-4ca4-aeb8-c70307cb869c/sist-en-4030-2002)

Ta slovenski standard je istoveten z: EN 4030:2001

ICS:

49.080 Štejni sistemi in deli za letalstvo in vesolje
 Aerospace fluid systems and components

SIST EN 4030:2002 en

iTeh STANDARD PREVIEW
(standards.iteh.ai)

SIST EN 4030:2002

<https://standards.iteh.ai/catalog/standards/sist/e2616429-3d3d-4ca4-aeb8-e76507eb869c/sist-en-4030-2002>

iTeh STANDARD PREVIEW
(standards.iteh.ai)

SIST EN 4030:2002

<https://standards.iteh.ai/catalog/standards/sist/e2616429-3d3d-4ca4-acb8-e76507eb869c/sist-en-4030-2002>

iTeh STANDARD PREVIEW
(standards.iteh.ai)

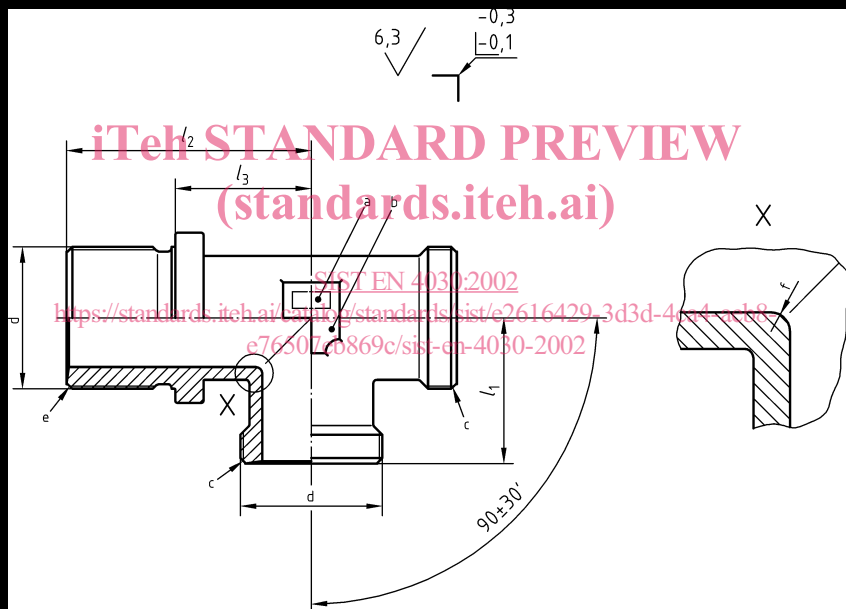
SIST EN 4030:2002

<https://standards.iteh.ai/catalog/standards/sist/e2616429-3d3d-4ca4-acb8-e76507eb869c/sist-en-4030-2002>

iTeh STANDARD PREVIEW
(standards.iteh.ai)

SIST EN 4030:2002

<https://standards.iteh.ai/catalog/standards/sist/e2616429-3d3d-4ca4-acb8-e76507eb869c/sist-en-4030-2002>

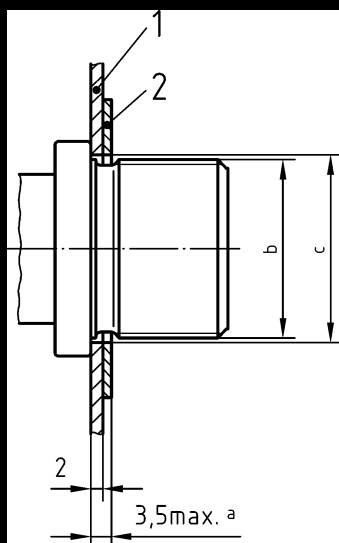


iTeh STANDARD PREVIEW (standards.iteh.ai)

SIST EN 4030:2002

<https://standards.iteh.ai/catalog/standards/sist/e2616429-3d3d-4ca4-acb8-e76507eb869c/sist-en-4030-2002>

Description block	Identity block
TEE, BULKHEAD ON RUN	EN4030-05
Number of this standard	
Code (see table 1)	



iTeh STANDARD PREVIEW
(standards.iteh.ai)

SIST EN 4030:2002

<https://standards.iteh.ai/catalog/standards/sist/e2616429-3d3d-4ca4-acb8-e76507eb869c/sist-en-4030-2002>