



Designation: D 648 – 00a

# Standard Test Method for Deflection Temperature of Plastics Under Flexural Load in the Edgewise Position<sup>1</sup>

This standard is issued under the fixed designation D 648; the number immediately following the designation indicates the year of original adoption or, in the case of revision, the year of last revision. A number in parentheses indicates the year of last reapproval. A superscript epsilon ( $\epsilon$ ) indicates an editorial change since the last revision or reapproval.

*This standard has been approved for use by agencies of the Department of Defense.*

## 1. Scope\*

1.1 This test method covers the determination of the temperature at which an arbitrary deformation occurs when specimens are subjected to an arbitrary set of testing conditions.

1.2 This test method applies to molded and sheet materials available in thicknesses of 3 mm ( $\frac{1}{8}$  in.) or greater and which are rigid or semirigid at normal temperature.

NOTE 1—Sheet stock less than 3 mm (0.125 in.) but more than 1 mm (0.040 in.) in thickness may be tested by use of a composite sample having a minimum thickness of 3 mm. The laminae must be of uniform stress distribution. One type of composite specimen has been prepared by cementing the ends of the laminae together and then smoothing the edges with sandpaper. The direction of loading shall be perpendicular to the edges of the individual laminae.

1.3 The values stated in SI units are to be regarded as the standard. The values given in parentheses are for information only.

1.4 *This standard does not purport to address all of the safety concerns, if any, associated with its use. It is the responsibility of the user of this standard to establish appropriate safety and health practices and determine the applicability of regulatory limitations prior to use.*

NOTE 2—The test method described as a Method B of this test method, and test methods Ae and Be of ISO 75-1 and ISO 75-2, 1993, are technically equivalent.

## 2. Referenced Documents

### 2.1 ASTM Standards:

- D 618 Practice for Conditioning Plastics<sup>2</sup>
- D 883 Terminology Relating to Plastics<sup>2</sup>
- D 1898 Practice for Sampling of Plastics<sup>3</sup>
- D 1999 Guide for Selection of Specimens and Test Parameters from ISO/IEC Standards<sup>3</sup>

- D 5947 Test Methods for Physical Dimensions of Solid Plastics Specimens<sup>4</sup>
- E 1 Specification for ASTM Thermometers<sup>5</sup>
- E 77 Test Method for Inspection and Verification of Thermometers<sup>5</sup>
- E 177 Practice for Use of the Terms Precision and Bias in ASTM Test Methods<sup>6</sup>
- E 220 Test Method for Calibration of Thermocouples by Comparison Techniques<sup>5</sup>
- E 608 Specification for Metal-Sheathed Base-Metal Thermocouples<sup>5</sup>
- E 644 Test Methods for Testing Industrial Resistance Thermometers<sup>5</sup>
- E 691 Practice for Conducting an Interlaboratory Study to Determine the Precision of a Test Method<sup>6</sup>
- E 879 Specification for Thermistor Sensors for Clinical Laboratory Temperature Measurement<sup>5</sup>
- E 1137 Specification for Industrial Platinum Resistance Thermometers<sup>5</sup>
- 2.2 ISO Standards:<sup>7</sup>
  - ISO 75-1 Plastics—Determination of Temperature of Deflection Under Load—Part 1: General Test Method
  - ISO 75-2 Plastics—Determination of Temperature of Deflection Under Load—Part 2: Plastics and Ebonite
- 2.3 NIST Document:<sup>8</sup>
  - NBS Special Publication 250-22

## 3. Terminology

3.1 *General*—The definitions of plastics used in this test method are in accordance with Terminology D 883 unless otherwise indicated.

<sup>1</sup> This test method is under the jurisdiction of ASTM Committee D20 on Plastics and is the direct responsibility of Subcommittee D20.30 on Thermal Properties (Section D20.30.07).

Current edition approved Nov. 10, 2000. Published January 2001. Originally published as D 648 – 41 T. Last previous edition D 648 – 00

<sup>2</sup> Annual Book of ASTM Standards, Vol 08.01.

<sup>3</sup> Discontinued; see 1997 Annual Book of ASTM Standards, Vol 08.01.

<sup>4</sup> Annual Book of ASTM Standards, Vol 08.03.

<sup>5</sup> Annual Book of ASTM Standards, Vol 14.03.

<sup>6</sup> Annual Book of ASTM Standards, Vol 14.02.

<sup>7</sup> Available from American National Standards Institute, 11 W. 42nd St., 13th Floor, New York, NY 10036.

<sup>8</sup> Mangum, B. W., "Platinum Resistance Thermometer Calibration," NBS Special Publication 250-22, 1987. Available from National Institute of Standards and Technology, Gaithersburg, MD.

\*A Summary of Changes section appears at the end of this standard.

#### 4. Summary of Test Method

4.1 A bar of rectangular cross section is tested in the edgewise position as a simple beam with the load applied at its center to give maximum fiber stresses of 0.455 MPa (66 psi) or 1.82 MPa (264 psi) (Note 3). The specimen is immersed under load in a heat-transfer medium provided with a means of raising the temperature at  $2 \pm 0.2^\circ\text{C}/\text{min}$ . The temperature of the medium is measured when the test bar has deflected 0.25 mm (0.010 in.). This temperature is recorded as the deflection temperature under flexural load of the test specimen.

NOTE 3—A round robin has been conducted that showed that there is no advantage to using higher loads when measuring deflection temperature of present-day plastics with present-day instruments.

#### 5. Significance and Use

5.1 This test is particularly suited to control and development work. Data obtained by this test method may not be used to predict the behavior of plastic materials at elevated temperatures except in applications in which the factors of time, temperature, method of loading, and fiber stress are similar to those specified in this test method. The data are not intended for use in design or predicting endurance at elevated temperatures.

#### 6. Interferences

6.1 The results of the test may depend on the rate of heat transfer between the fluid and the specimen and the thermal conductivity of the fluid.

6.2 The results of this test may depend on the measured width and depth of the specimen and the final deflection at which the deflection temperature is determined.

6.3 The type of mold and the molding process used to produce test specimens affects the results obtained in this test. Molding conditions shall be in accordance with the standard for that material or shall be agreed upon by the cooperating laboratories.

#### 7. Apparatus

7.1 The apparatus shall be constructed essentially as shown in Fig. 1 and shall consist of the following:

7.1.1 *Specimen Supports*, metal supports, allowing the load to be applied on top of the specimen vertically and midway between the supports, which shall be separated by a distance, defined in 7.1.1.1 or 7.1.1.2. The contact edges of the supports and of the piece by which load is applied shall be rounded to a radius of  $3 \pm 0.2$  mm ( $0.118 \pm 0.008$  in.).

7.1.1.1 Method A— $101.6 \pm 0.5$  mm ( $4.0 \pm 0.02$  in.).

7.1.1.2 Method B— $100.0 \pm 0.5$  mm ( $3.937 \pm 0.020$  in.).

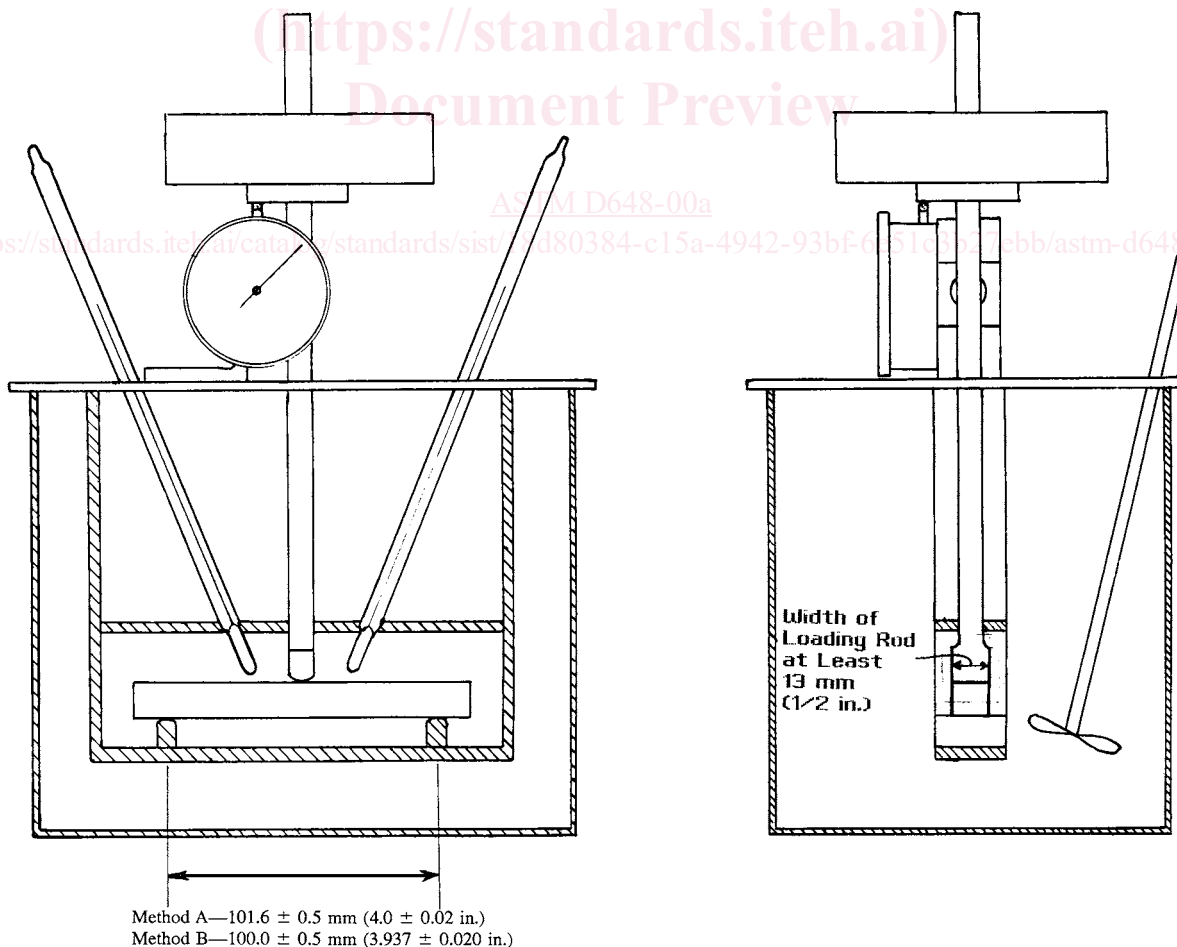


FIG. 1 Apparatus for Deflection Temperature Test

NOTE 4—A test should be made on each apparatus using a test bar made of a material having a low coefficient of expansion.<sup>9</sup> The temperature range to be used should be covered and a correction factor determined for each temperature. If this factor is 0.013 mm (0.0005 in.) or greater, its algebraic sign should be noted and the factor should be applied to each test by adding it algebraically to the reading of apparent deflection of the test specimen.

7.1.2 *Immersion Bath*—A suitable liquid heat-transfer medium (Note 5) in which the specimen shall be immersed. It shall be well-stirred during the test and shall be provided with a means of raising the temperature at a uniform rate of  $2 \pm 0.2^\circ\text{C}/\text{min}$ . This heating rate shall be considered to be met if, over every 5-min interval during the test, the temperature of the bath shall rise  $10 \pm 1^\circ\text{C}$  at each specimen location.

NOTE 5—A liquid heat-transfer medium shall be chosen which will not affect the specimen. Mineral oil is considered safe from ignition to  $115^\circ\text{C}$ . Silicone oils may be heated to about  $260^\circ\text{C}$  for short periods of time. For still higher temperatures, special heat-transfer media should be used. Improved performance with longer oil life may be obtained by the use of  $\text{CO}_2$  or other inert gas to isolate the oil surface from the atmosphere.

NOTE 6—A circulating air oven may be used if it can be shown that equivalent results are obtained.

7.1.3 *Deflection Measurement Device*, suitable for measuring specimen deflection of at least 0.25 mm (0.010 in.). It shall be readable to 0.01 mm (0.0005 in.) or better. The device may be a dial gage or any other indicating or recording device including electric displacement sensing apparatus.

7.1.4 *Weights*—A set of weights of suitable sizes so that the specimen can be loaded to a fiber stress of 0.455 MPa (66 psi)  $\pm 2.5\%$  or 1.82 MPa (264 psi)  $\pm 2.5\%$ . The mass of the rod that applies the testing force shall be determined and included as part of the total load. If a dial gage is used, the force exerted by its spring shall be determined and shall be included as part of the load (Note 8). Calculate the testing force and the mass that must be added to achieve the desired stress as follows:

$$F = 2Sbd^2/3L \quad (1)$$

$$F^l = F/9.80665$$

$$m_w = (F - F_s)/9.80665 - m_r$$

where:

- $F$  = load, N,
- $F^l$  = load, kgf,
- $S$  = fiber stress in the specimen (0.455 MPa or 1.82 MPa),
- $b$  = width of specimen, mm,
- $d$  = depth of specimen, mm,
- $L$  = distance between supports, (101.6 mm—Method A, or 100 mm—Method B), see 7.1.1.1 and 7.1.1.2.
- $m_w$  = added mass, kg,
- $F_s$  = force exerted by any spring-loaded component involved, N; this is a positive value if the thrust of the spring is towards the test specimen (downwards), or a negative value if the thrust of the spring is opposing the descent of the rod, or zero if no such component is involved, and

$m_r$  = mass of the rod that applies the testing force to the specimen, kg.

NOTE 7—In some designs of this apparatus, the spring force of the dial gage is directed upward (opposite the direction of specimen loading,) which reduces the net force applied to the specimen. In other designs, the spring force of the dial gage acts downward (in the direction of specimen loading), which increases the net force applied to the specimen. The mass applied to the loading rod must be adjusted accordingly (increased for upward dial force and decreased for downward dial force) to compensate. Since the force exerted by the spring in certain dial gages varies considerably over the stroke, this force should be measured in that part of the stroke that is to be used. Suggested procedures to determine the total load required to correct for the force of the dial gage spring are given in Appendix X1 and Appendix X2. Other procedures may be used if equivalent results are obtained. Appendix X3 provides a method of determining the spring force, uniformity of the force in the gage's test measurement range, and whether the gage is contaminated and sticking.

7.1.5 *Temperature Measurement System*—Consisting of a thermocouple, thermometer, resistance thermometer, thermistor, etc., as the sensor, together with its associated conditioning and readout instrumentation to cover a suitable range. The thermometer shall be one of the following, or its equivalent, as prescribed in Specification E 1: Thermometer  $1^\circ\text{C}$  or  $2^\circ\text{C}$ , having ranges from  $-20$  to  $150^\circ\text{C}$  or  $-5$  to  $300^\circ\text{C}$  respectively, whichever temperature range is most suitable. Mercury in glass thermometers shall be calibrated for the depth of immersion in accordance with Test Method E 77. Thermocouples shall comply with the requirements of Specification E 608. Thermocouples shall be calibrated in accordance with Test Method E 220. Resistance thermometers shall comply with the requirements of Test Methods E 644 and Specification E 1137. Thermistors shall comply with the requirements of Specification E 879 and be calibrated in accordance with NIST Special Publication 250-22.

7.2 *Micrometers* shall meet the requirements of Test Methods D 5947 and be calibrated in accordance with that test method.

## 8. Sampling

8.1 Unless otherwise specified, sampling shall be in accordance with the sampling procedure prescribed in Practice D 1898. Adequate statistical sampling shall be considered an acceptable alternative.

## 9. Test Specimen

9.1 At least two test specimens shall be used to test each sample at each fiber stress. The specimen shall be 127 mm (5 in.) in length, 13 mm ( $\frac{1}{2}$  in.) in depth by any width from 3 mm ( $\frac{1}{8}$  in.) to 13 mm ( $\frac{1}{2}$  in.). Tolerances on dimensions (for highly reproducible work) should be of the order of  $\pm 0.13$  mm (0.005 in.) over the length of the specimen.

NOTE 8—The test results obtained on specimens approaching 13 mm in width may be  $2$  to  $4^\circ\text{C}$  above those obtained from 4 mm or narrower test specimens because of poor heat transfer through the specimen.

9.2 The specimens shall have smooth flat surfaces free from saw cuts, excessive sink marks, or flash.

9.3 Molding conditions shall be in accordance with the specification for that material or shall be agreed upon by the cooperating laboratories. Discrepancies in test results due to

<sup>9</sup> Invar or borosilicate glass have been found suitable for this purpose.

variations in molding conditions may be minimized by annealing the test specimens before the test. Since different materials require different annealing conditions, annealing procedures shall be employed only if required by the material standard or if agreed upon by the cooperating laboratories.

## 10. Preparation of Apparatus

10.1 The apparatus shall be arranged so that the deflection of the specimen at midspan is measured by the deflection measurement device described in 7.1.3. The apparatus may be arranged to shut off the heat automatically and sound an alarm or record the temperature when the specific deflection has been reached. Sufficient heat transfer liquid shall be used to cover the thermometers to the point specified in their calibration, or 76 mm (3 in.) in the case of the ASTM thermometers referred to in 7.1.5.

NOTE 9—It is desirable to have a means to cool the bath in order to reduce the time required to lower the temperature of the bath after the test has been completed. This may be accomplished by using a cooling coil installed in the bath, or an external heat transfer system that passes the hot oil through it. If the rate of temperature rise of the oil is adversely affected by the presence of residual coolant in the coils, the coolant should be purged prior to starting the next test.

## 11. Conditioning

11.1 *Conditioning*—Condition the test specimens at  $23 \pm 2^\circ\text{C}$  ( $73.4 \pm 3.6^\circ\text{F}$ ) and  $50 \pm 5\%$  relative humidity for not less than 40 h prior to test in accordance with Procedure A of Practice D 618 unless otherwise specified in the material standard or contract between interested parties. In cases of disagreement, the tolerances shall be  $\pm 1^\circ\text{C}$  ( $1.8^\circ\text{F}$ ) and  $\pm 2\%$  relative humidity.

NOTE 10—Shorter conditioning periods may be used when it is shown that they do not affect the results of this test. Longer conditioning times may be required for some materials that continue to change with time.

## 12. Procedure

12.1 Measure the width and depth of each specimen with a suitable micrometer (as described in 7.2) at several points along the span. Average these respective readings to obtain the nominal width and depth value for the specimen. These values are used to determine the amount of applied force necessary to produce the specified fiber stress in each specimen (see 7.1.4).

12.2 Position the test specimens edgewise in the apparatus and ensure that they are properly aligned on the supports so that the direction of the testing force is perpendicular to the direction of the molding flow. If the specimen support unit has metal clips or auxillary supports on it to hold the specimen perpendicular to the load and to prevent the specimen from being displaced by the circulating oil, only one surface of the clip or auxillary support may touch the specimen at any one time. The presence of any clip or auxillary support shall not impede the deflection of the specimen or place additional force on the specimen that will result in more load having to be applied to achieve deflection.

NOTE 11—Holding of the specimens upright on the specimen supports by the use of clips or auxillary supports that apply pressure to the specimen have been shown to alter the deflection temperature when testing at the 0.45 MPa stress level.

12.3 The thermometer bulb or sensitive part of the temperature measuring device shall be positioned as close as possible to the test specimen (within 10 mm) without touching it. The stirring of the liquid-heat transfer medium shall be sufficient to ensure that temperature of the medium is within  $1.0^\circ\text{C}$  at any point within 10 mm of the specimen. If stirring is not sufficient to meet the  $1.0^\circ\text{C}$  requirement, then the temperature measuring device shall be placed at the same level as the specimen and within 10 mm of the point at which the specimen is loaded.

12.4 Ascertain that the temperature of the bath is suitable. The bath temperature shall be at ambient temperature at the start of the test unless previous tests have shown that, for the particular material under test, no error is introduced by starting at a higher temperature.

12.5 Carefully apply the loaded rod to the specimen and lower the assembly into the bath.

12.6 Adjust the load so that the desired stress of 0.455 MPa (66 psi) or 1.82 MPa (264 psi) is obtained.

NOTE 12—Verification of the load should be made on all new equipment, after replacement of dial gages, or following any other change that could affect the loading. Verification of the load should also be performed periodically to ensure that the equipment is within calibration (see Appendix X1, Appendix X2, and Appendix X3). Depending on the type of deflection measurement device used, it may be necessary to adjust the device such that it records the deflection in the displacement range of the device where the test is to be made.

12.7 Five minutes after applying the load, adjust the deflection measurement device to zero or record its starting position. Heat the liquid heat-transfer medium at a rate of  $2.0 \pm 0.2^\circ\text{C}/\text{min}$ .

NOTE 13—The 5-min waiting period is provided to compensate partially for the creep exhibited by some materials at room temperature when subjected to the specified nominal surface stress. That part of the creep that occurs in the initial 5 min is usually a significant fraction of that which occurs in the first 30 min.

12.8 Record the temperature of the liquid heat-transfer medium at which the specimen has deflected the specified amount at the specified fiber stress.

NOTE 14—Continuous reading of the deflection versus temperature even beyond the standard deflection might be useful in special situations.

## 13. Report

13.1 Report the following information:

13.1.1 Full identification of the material tested,

13.1.2 Method of test specimen preparation,

13.1.3 Conditioning procedure,

13.1.4 Test method, reported as D 648 Method A or D 648 Method B,

13.1.5 The width and depth of the specimen, measured to 0.025 mm,

13.1.6 The standard deflection, the deflection temperature, and the resultant maximum fiber stress for each specimen,

13.1.7 The immersion medium, the temperature at the start of the test, and the actual heating rate,

13.1.8 Average deflection temperature,

13.1.9 Any nontypical characteristics of the specimen noted during the test or after removal from the apparatus, (such as twisting, nonuniform bending, discoloration, swelling), and



13.1.10 Type of apparatus: automated or manual.

14. Precision and Bias

14.1 Precision—An interlaboratory test program<sup>10</sup> was carried out with seven laboratories participating and utilizing both manual and automated instruments. Four polymers were included in the program. Statistical information is summarized in Table 1. The critical difference limits are the limits beyond which observed differences should be considered suspect.

14.2 In 1995 a second round-robin<sup>11</sup> study was conducted. Table 2 is based on this round robin conducted in accordance with Practice E 691, involving 3 materials tested by 15 laboratories. For each material, all the samples were prepared at one source, but the individual specimens were prepared at the laboratories that tested them. Each test result was the average of 2 individual determinations. Each laboratory obtained 4 test results for each material.

NOTE 15—**Caution:** The following explanation for *r* and *R* (14.3-14.3.3) are only intended to present a meaningful way of considering the approximate precision of this test method. The data in Table 2 should not be applied to acceptance or rejection of material, as these data apply only to materials tested in the round robin and are unlikely to be rigorously representative of the other lots, formulations, conditions, material, or laboratories. Users of this test method should apply the principles outlined in Practice E 691 to generate data specific to their materials and laboratory

<sup>10</sup> Supporting data are available from ASTM Headquarters. Request RR: D20-1098.

<sup>11</sup> Supporting data are available from ASTM Headquarters. Request RR: D20-1202.

TABLE 1 Statistical Information<sup>A</sup>

Polymer	Average <sup>B</sup> Value	Standard Deviation	Critical <sup>C</sup> Difference, Within Laboratories	Critical Difference, Between Laboratories
Polyethylene, 0.455 MPa	85.3	4.8	6.0	9.4
Polycarbonate, 0.455 MPa	142.0	2.0	2.3	3.9
Methyl methacrylate, 1.82 MPa	97.6	2.9	4.0	5.7
Polysulfone, 1.82 MPa	173.8	2.8	2.3	5.5

<sup>A</sup>All values are given in °C.

<sup>B</sup>Average of pairs.

<sup>C</sup>Between values of a pair.

TABLE 2 Precision, Deflection Temperature

Material	Units Expressed in ° C				
	Average	<i>S<sub>r</sub></i> <sup>A</sup>	<i>S<sub>R</sub></i> <sup>B</sup>	<i>r</i> <sup>C</sup>	<i>R</i> <sup>D</sup>
ABS, 1.8 kPa	81.6	1.15	1.67	3.21	4.68
PP natural, 0.45 kPa	83.8	3.11	4.71	8.70	13.20
PP filled, 0.45 kPa	114.7	2.16	4.62	6.06	12.92

<sup>A</sup>*S<sub>r</sub>* = within-laboratory standard deviation for the indicated material. It is obtained by pooling the within-laboratory standard deviations of the test results from all of the participating laboratories:

$$S_r = [((S_1)^2 + (S_2)^2 + \dots + (S_n)^2)/n]^{1/2}$$

<sup>B</sup>*S<sub>R</sub>* = between-laboratories reproducibility, expressed as standard deviation:

$$S_R = [S_r^2 + S_L^2]^{1/2}, \text{ where } S_L = \text{standard deviation of laboratory means.}$$

<sup>C</sup>*r* = within-laboratory critical interval between two test results = 2.8 × *S<sub>r</sub>*

<sup>D</sup>*R* = between-laboratories critical interval between two test results = 2.8 × *S<sub>R</sub>*

(or between specific laboratories). The principles of 14.3-14.3.3 would then be valid for such data.

14.3 Concept of *r* and *R* in Table 2—If *S<sub>r</sub>* and *S<sub>R</sub>* have been calculated from a large enough body of data, and for test results that were averages from testing two specimens for each test result, then:

14.3.1 Repeatability—*r* is the interval representing the critical difference between two test results for the same material, obtained by the same operator using the same equipment on the same day in the same laboratory. Two test results shall be judged not equivalent if they differ by more than the *r* value for the material.

14.3.2 Reproducibility—*R* is the interval representing the critical difference between two test results for the same material, obtained by different operators using different equipment in different laboratories, not necessarily on the same day. Two test results shall be judged not equivalent if they differ by more than the *R* value for that material.

14.3.3 Any judgment in accordance with 14.3.1 or 14.3.2 would have an approximate 95 % (0.95) probability of being correct.

14.4 There are no recognized standards by which to estimate bias of this test method.

NOTE 16—Based on the round-robin test data,<sup>11</sup> a bias may exist between data obtained on test equipment with a span between supports of 101.6 mm (4.0 in.) (Method A) and 100 mm (3.937 in.) (Method B), with results being of 1.0-4.5°C higher for the equipment with a span width between supports of 100 mm, and the value of the difference is material dependent (see Table 3).

15. Keywords

15.1 deflection temperature; flexural load; flexure



**TABLE 3 Deflection Temperature (Average) Obtained on Test Equipment With Span Values of 100 and 101.6 mm (3.937 and 4.0 in.), °C**

Material	100-mm (3.937-in.) Span	101.6-mm. (4.0-in.) Span
ABS, 1.8 MPa	81.9	81.0
PP natural, 0.45 MPa	85.2	80.9
PP filled, 0.45 MPa	116.6	112.0
Nylon, 1.8 MPa	156.1	153.8

## ANNEX

### (Mandatory Information)

#### A1. CALIBRATION OF SINGLE-(CENTRALIZED) TEMPERATURE PROBE UNITS

A1.1 If the unit in operation is of the type that has only one temperature probe in the bath, and this probe is monitored to record the deflection temperature of the specimen at all the stations in the unit, then the following calibration and checks must be undertaken to ensure comparable results with units that have a temperature probe at each station.

A1.2 This procedure must be performed annually as a minimum to ensure proper temperature distribution and accuracy of probe and display.

A1.3 Calibration will require the use of temperature meter and probe traceable to NIST, with accuracy and display resolution of 0.1°C or better, a stopwatch, and any tools needed to open and adjust the unit.

A1.3.1 Low-temperature calibration of the unit is accomplished by placing the NIST traceable probe within 10 mm of specimen height, in the bath at three different points in the bath. The three points will be at the center and left and right ends of the bath. Start with the station closest to the centralized probe, while the unit is programmed to maintain a constant temperature between 20 and 50°C, with all stirrers operating. Allow the bath to stabilize for a minimum of 5 min. Read and record the readout of the calibrated probe and the unit's internal temperature display to the nearest 0.1°C. Make any necessary adjustments to the unit's temperature controller to bring the bath to  $\pm 0.1^\circ\text{C}$  of the bath set point, allowing a stabilization time of a minimum of 5 min between adjustment(s) and readings. Once the calibrated probe indicates the bath is at the set point, make adjustments to the centralized probe's display as necessary.

A1.3.1.1 Move the NIST traceable probe to the other two points maintaining the probe within 10 mm of specimen height. Read and record the temperatures at these points, after allowing the probe to stabilize a minimum of 5 min.

A1.3.2 High-temperature calibration will be accomplished by programming the unit to maintain an elevated temperature near, but not exceeding the highest temperature allowed by the heat transfer media. All covers and stations must be in place and stirrer motors operating. Place the NIST probe within 10 mm of specimen height at the station closest to the centralized probe, and allow the bath to stabilize for a minimum of 5 min. Read and record the readout of the calibrated probe and the unit

internal temperature display to the nearest 0.1°C. Make any necessary adjustments to the unit's temperature controller to bring the bath to  $\pm 0.1^\circ\text{C}$  of the bath set point, allowing a stabilization time of a minimum of 5 min between adjustment(s) and readings. Once the calibrated probe indicates the bath is at the set point make adjustments to the centralized probe's display as necessary.

A1.3.2.1 Move the NIST traceable probe to the other two points maintaining the probe within 10 mm of specimen height. Read and record the temperatures at these points, after allowing the probe to stabilize a minimum of 5 min.

A1.3.3 Evaluate the data from each of the three points in the bath at both low and high temperature. If any point is greater than  $\pm 0.5^\circ\text{C}$  from the set point, have the unit serviced or repaired to correct this error. If it is not possible to correct the bath uniformity to less than 0.5°C, then a thermal sensing device must be placed at each station and used to record the temperature of the bath at the time of deflection while running tests. The unit may be electronically modified or the use of glass thermometers (as outlined in 7.1.5) may be placed at each station and manually read and recorded at the moment of specimen deflection.

A1.3.4 If the preceding steps have been taken and successfully completed, cool the bath down to a normal start temperature and allow the bath to stabilize. Place the NIST probe at the point in the bath that the preceding gathered data shows the greatest error. Start a test at 120°C/h. Read and record the temperature of both the unit's display and the readout of the NIST probe. An offset of 10 to 15 s between the two readings is acceptable as long as this interval is maintained throughout this test. Start the stopwatch when the first temperature is recorded. Read and record the temperature of the unit's display and the NIST probe, maintaining any delay interval, if used, every 5 min for 1 h.

A1.3.5 Evaluate the data acquired during the preceding test. Ensure that the temperature of the bath is rising at the correct rate as outlined in 7.1.2, at both the centralized probe and the other selected test point. If either is outside the limits for the rate of rise, the unit must be serviced and rechecked before further use. If a unit fails to pass this calibration test the unit must be serviced or replaced. Placing a temperature