

INTERNATIONAL STANDARD

ISO
10154

First edition
1991-12-15

Light gauge metal containers — Three-piece necked-in tinfoil aerosol cans — Dimensions of the top end

iTeh STANDARD PREVIEW

(standard iteh.ai)
*Réipients métalliques légers — Boîtiers trois pièces, à rétreints, en
acier, pour aérosols — Dimensions de la partie supérieure*

ISO 10154:1991

<https://standards.iteh.ai/catalog/standards/sist/3c26d1f0-85b0-40fb-9e92-21a82854503c/iso-10154-1991>



Reference number
ISO 10154:1991(E)

Foreword

ISO (the International Organization for Standardization) is a worldwide federation of national standards bodies (ISO member bodies). The work of preparing International Standards is normally carried out through ISO technical committees. Each member body interested in a subject for which a technical committee has been established has the right to be represented on that committee. International organizations, governmental and non-governmental, in liaison with ISO, also take part in the work. ISO collaborates closely with the International Electrotechnical Commission (IEC) on all matters of electrotechnical standardization.

Draft International Standards adopted by the technical committees are circulated to the member bodies for voting. Publication as an International Standard requires approval by at least 75 % of the member bodies casting a vote.

International Standard ISO 10154 was prepared by Technical Committee ISO/TC 52, *Light gauge metal containers*, Sub-Committee SC 6, *Aerosol containers*.

[ISO 10154:1991](https://standards.iteh.ai/catalog/standards/sist/3c26d1f0-85b0-40fb-9e92-21a82854503c/iso-10154-1991)

<https://standards.iteh.ai/catalog/standards/sist/3c26d1f0-85b0-40fb-9e92-21a82854503c/iso-10154-1991>

© ISO 1991

All rights reserved. No part of this publication may be reproduced or utilized in any form or by any means, electronic or mechanical, including photocopying and microfilm, without permission in writing from the publisher.

International Organization for Standardization
Case Postale 56 • CH-1211 Genève 20 • Switzerland

Printed in Switzerland

Light gauge metal containers — Three-piece necked-in tinplate aerosol cans — Dimensions of the top end

1 Scope

This International Standard specifies dimensions of the top end of three-piece necked-in tinplate aerosol cans.

Members of IEC and ISO maintain registers of currently valid International Standards.

ISO 90-3:1986, *Light gauge metal containers — Definitions and determination methods for dimensions and capacities — Part 3: Aerosol cans.*

2 Normative reference

The following standard contains provisions which, through reference in this text, constitute provisions of this International Standard. At the time of publication, the edition indicated was valid. All standards are subject to revision, and parties to agreements based on this International Standard are encouraged to investigate the possibility of applying the most recent edition of the standard indicated below.

3 Definitions

For the purposes of this International Standard, the definitions given in ISO 90-3 apply.

4 Dimensions

The dimensions of the top end shall be as shown in figure 1 and as specified in table 1.

The dimensions H_1 and H_3 are defined in ISO 90-3.

Table 1

Dimensions in millimetres

Nominal internal body diameter D_i	External diameter of the seam D_1 $\pm 0,3$	Height of the seam C $\pm 0,15$	Height of the top end H_2 $\pm 0,4$	Height of the neck H_4 $\begin{matrix} +0,5 \\ 0 \end{matrix}$
45	43,6	2,9	5,6	5,3
49	47,8	2,9	7	5,5
52	50,7	3,2	8	5,6
57	55,5	3,3	9,5	6
65	63,2	3,3	13,5	6,3

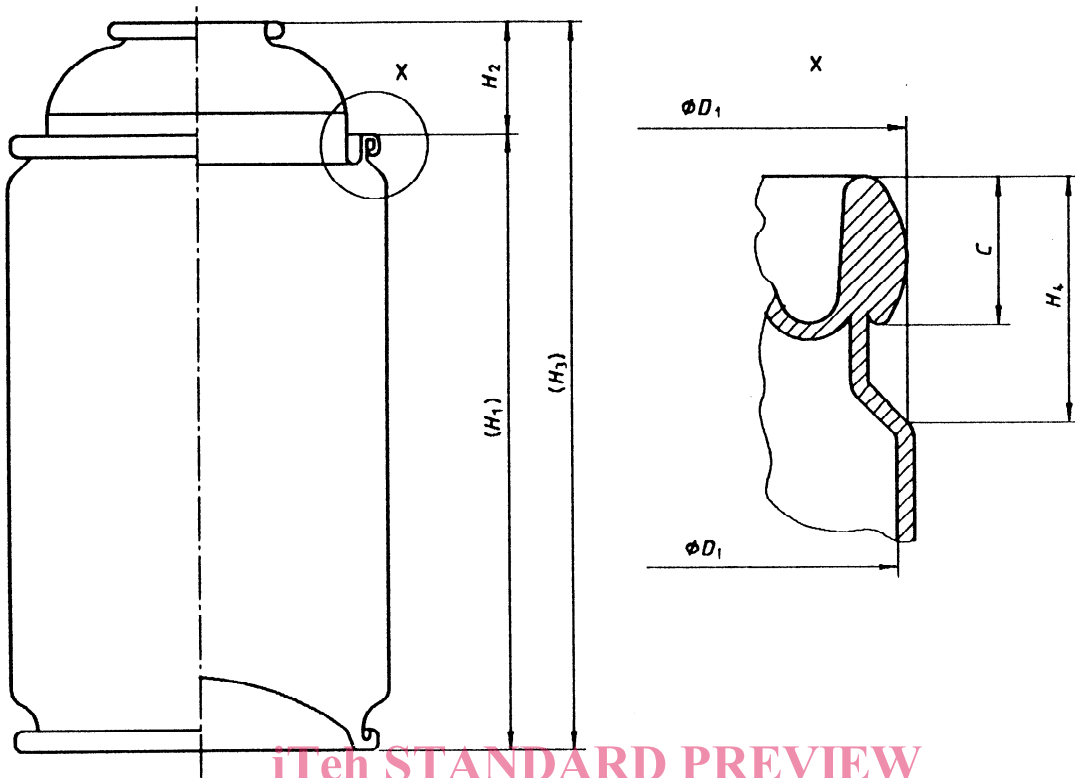


Figure 1
iTeh STANDARD PREVIEW
(standards.iteh.ai)

ISO 10154:1991
<https://standards.iteh.ai/catalog/standards/sist/3c26d1f0-85b0-40fb-9e92-21a82854503c/iso-10154-1991>

iTeh STANDARD PREVIEW
(standards.iteh.ai)

This page intentionally left blank

[ISO 10154:1991](#)

<https://standards.iteh.ai/catalog/standards/sist/3c26d1f0-85b0-40fb-9e92-21a82854503c/iso-10154-1991>

iTeh STANDARD PREVIEW
(standards.iteh.ai)

This page intentionally left blank

[ISO 10154:1991](#)

<https://standards.iteh.ai/catalog/standards/sist/3c26d1f0-85b0-40fb-9e92-21a82854503c/iso-10154-1991>

iTeh STANDARD PREVIEW
(standards.iteh.ai)

This page intentionally left blank

[ISO 10154:1991](#)

<https://standards.iteh.ai/catalog/standards/sist/3c26d1f0-85b0-40fb-9e92-21a82854503c/iso-10154-1991>

iTeh STANDARD PREVIEW
(standards.iteh.ai)

ISO 10154:1991

<https://standards.iteh.ai/catalog/standards/sist/3c26d1f0-85b0-40fb-9e92-21a82854503c/iso-10154-1991>

UDC 621.798.144

Descriptors: containers, metal packaging, spray cans, dimensions.

Price based on 2 pages
