

# INTERNATIONAL STANDARD

# NORME INTERNATIONALE

Management of alarms systems for the process industries

Gestion de systèmes d'alarme dans les industries de transformation

[IEC 62682:2014](#)

<https://standards.iteh.ai/catalog/standards/sist/6c5cb6b6-9fc9-418c-a68c-643c3fac4583/iec-62682-2014>



**THIS PUBLICATION IS COPYRIGHT PROTECTED**  
**Copyright © 2014 IEC, Geneva, Switzerland**

All rights reserved. Unless otherwise specified, no part of this publication may be reproduced or utilized in any form or by any means, electronic or mechanical, including photocopying and microfilm, without permission in writing from either IEC or IEC's member National Committee in the country of the requester. If you have any questions about IEC copyright or have an enquiry about obtaining additional rights to this publication, please contact the address below or your local IEC member National Committee for further information.

Droits de reproduction réservés. Sauf indication contraire, aucune partie de cette publication ne peut être reproduite ni utilisée sous quelque forme que ce soit et par aucun procédé, électronique ou mécanique, y compris la photocopie et les microfilms, sans l'accord écrit de l'IEC ou du Comité national de l'IEC du pays du demandeur. Si vous avez des questions sur le copyright de l'IEC ou si vous désirez obtenir des droits supplémentaires sur cette publication, utilisez les coordonnées ci-après ou contactez le Comité national de l'IEC de votre pays de résidence.

IEC Central Office  
3, rue de Varembe  
CH-1211 Geneva 20  
Switzerland

Tel.: +41 22 919 02 11  
Fax: +41 22 919 03 00  
[info@iec.ch](mailto:info@iec.ch)  
[www.iec.ch](http://www.iec.ch)

#### About the IEC

The International Electrotechnical Commission (IEC) is the leading global organization that prepares and publishes International Standards for all electrical, electronic and related technologies.

#### About IEC publications

The technical content of IEC publications is kept under constant review by the IEC. Please make sure that you have the latest edition, a corrigenda or an amendment might have been published.

#### IEC Catalogue - [webstore.iec.ch/catalogue](http://webstore.iec.ch/catalogue)

The stand-alone application for consulting the entire bibliographical information on IEC International Standards, Technical Specifications, Technical Reports and other documents. Available for PC, Mac OS, Android Tablets and iPad.

#### IEC publications search - [www.iec.ch/searchpub](http://www.iec.ch/searchpub)

The advanced search enables to find IEC publications by a variety of criteria (reference number, text, technical committee,...). It also gives information on projects, replaced and withdrawn publications.

#### IEC Just Published - [webstore.iec.ch/justpublished](http://webstore.iec.ch/justpublished)

Stay up to date on all new IEC publications. Just Published details all new publications released. Available online and also once a month by email.

#### Electropedia - [www.electropedia.org](http://www.electropedia.org)

The world's leading online dictionary of electronic and electrical terms containing more than 30 000 terms and definitions in English and French, with equivalent terms in 14 additional languages. Also known as the International Electrotechnical Vocabulary (IEV) online.

#### IEC Glossary - [std.iec.ch/glossary](http://std.iec.ch/glossary)

More than 55 000 electrotechnical terminology entries in English and French extracted from the Terms and Definitions clause of IEC publications issued since 2002. Some entries have been collected from earlier publications of IEC TC 37, 77, 86 and CISPR.

#### IEC Customer Service Centre - [webstore.iec.ch/csc](http://webstore.iec.ch/csc)

If you wish to give us your feedback on this publication or need further assistance, please contact the Customer Service Centre: [csc@iec.ch](mailto:csc@iec.ch).

#### A propos de l'IEC

La Commission Electrotechnique Internationale (IEC) est la première organisation mondiale qui élabore et publie des Normes internationales pour tout ce qui a trait à l'électricité, à l'électronique et aux technologies apparentées.

#### A propos des publications IEC

Le contenu technique des publications IEC est constamment revu. Veuillez vous assurer que vous possédez l'édition la plus récente, un corrigendum ou amendement peut avoir été publié.

#### Catalogue IEC - [webstore.iec.ch/catalogue](http://webstore.iec.ch/catalogue)

Application autonome pour consulter tous les renseignements bibliographiques sur les Normes internationales, Spécifications techniques, Rapports techniques et autres documents de l'IEC. Disponible pour PC, Mac OS, tablettes Android et iPad.

#### Recherche de publications IEC - [www.iec.ch/searchpub](http://www.iec.ch/searchpub)

La recherche avancée permet de trouver des publications IEC en utilisant différents critères (numéro de référence, texte, comité d'études,...). Elle donne aussi des informations sur les projets et les publications remplacées ou retirées.

#### IEC Just Published - [webstore.iec.ch/justpublished](http://webstore.iec.ch/justpublished)

Restez informé sur les nouvelles publications IEC. Just Published détaille les nouvelles publications parues. Disponible en ligne et aussi une fois par mois par email.

#### Electropedia - [www.electropedia.org](http://www.electropedia.org)

Le premier dictionnaire en ligne de termes électroniques et électriques. Il contient plus de 30 000 termes et définitions en anglais et en français, ainsi que les termes équivalents dans 14 langues additionnelles. Egalement appelé Vocabulaire Electrotechnique International (IEV) en ligne.

#### Glossaire IEC - [std.iec.ch/glossary](http://std.iec.ch/glossary)

Plus de 55 000 entrées terminologiques électrotechniques, en anglais et en français, extraites des articles Termes et Définitions des publications IEC parues depuis 2002. Plus certaines entrées antérieures extraites des publications des CE 37, 77, 86 et CISPR de l'IEC.

#### Service Clients - [webstore.iec.ch/csc](http://webstore.iec.ch/csc)

Si vous désirez nous donner des commentaires sur cette publication ou si vous avez des questions contactez-nous: [csc@iec.ch](mailto:csc@iec.ch).

# INTERNATIONAL STANDARD

# NORME INTERNATIONALE

Management of alarms systems for the process industries

Gestion de systèmes d'alarme dans les industries de transformation

[IEC 62682:2014](#)

<https://standards.iteh.ai/catalog/standards/sist/6c5cb6b6-9fc9-418c-a68c-643c3fac4583/iec-62682-2014>

INTERNATIONAL  
ELECTROTECHNICAL  
COMMISSION

COMMISSION  
ELECTROTECHNIQUE  
INTERNATIONALE

PRICE CODE  
CODE PRIX

**XC**

ICS 13.320; 25.040

ISBN 978-2-8322-1868-6

**Warning! Make sure that you obtained this publication from an authorized distributor.  
Attention! Veuillez vous assurer que vous avez obtenu cette publication via un distributeur agréé.**

## CONTENTS

FOREWORD.....	9
INTRODUCTION.....	11
1 Scope.....	12
1.1 General applicability.....	12
1.2 Exclusions and inclusions.....	13
1.2.1 Operators .....	13
1.2.2 Process sensors and final control elements .....	13
1.2.3 Safety instrumented systems.....	13
1.2.4 Event data .....	13
1.2.5 Alarm identification methods .....	14
1.2.6 Management of change .....	14
2 Normative references.....	14
3 Terms, definitions, and abbreviations .....	14
3.1 Terms and definitions .....	14
3.2 Abbreviations .....	22
4 Conformance to this standard .....	22
4.1 Conformance guidance.....	22
4.2 Existing systems.....	23
4.3 Responsibility .....	23
5 Alarm system models.....	23
5.1 Alarm systems .....	23
5.2 Alarm management lifecycle.....	23
5.2.1 Alarm management lifecycle model.....	23
5.2.2 Alarm management lifecycle stages.....	24
5.2.3 Alarm lifecycle entry points.....	27
5.2.4 Simultaneous and encompassing stages .....	27
5.2.5 Alarm management lifecycle loops.....	27
5.2.6 Alarm management lifecycle stage inputs and outputs .....	28
5.3 Alarm states.....	29
5.3.1 Alarm state transition diagram .....	29
5.3.2 Alarm states.....	30
5.3.3 Alarm state transition paths .....	31
5.4 Alarm response timeline .....	32
5.4.1 General .....	32
5.4.2 Normal (A).....	33
5.4.3 Unacknowledged (B).....	33
5.4.4 Acknowledged (C) and response .....	33
5.4.5 Return-to-normal (D).....	34
5.4.6 Consequence threshold.....	34
5.5 Feedback model of operator-process interaction .....	34
5.5.1 General .....	34
5.5.2 Detect.....	35
5.5.3 Diagnose .....	35
5.5.4 Respond .....	35
5.5.5 Performance shaping factors .....	35
6 Alarm philosophy .....	35

6.1	Purpose .....	35
6.2	Alarm philosophy contents.....	35
6.2.1	General .....	35
6.2.2	Purpose of alarm system .....	36
6.2.3	Definitions .....	37
6.2.4	References .....	37
6.2.5	Roles and responsibilities for alarm management .....	37
6.2.6	Alarm design principles .....	37
6.2.7	Rationalization .....	37
6.2.8	Alarm class definition .....	37
6.2.9	Highly managed alarms .....	38
6.2.10	HMI design principles .....	38
6.2.11	Prioritization method .....	38
6.2.12	Alarm setpoint determination .....	39
6.2.13	Alarm system performance monitoring .....	39
6.2.14	Alarm system maintenance.....	39
6.2.15	Testing of the alarm system .....	39
6.2.16	Approved enhanced and advanced alarming techniques .....	39
6.2.17	Alarm documentation .....	39
6.2.18	Implementation guidance .....	40
6.2.19	Management of change .....	40
6.2.20	Training .....	40
6.2.21	Alarm history preservation.....	40
6.2.22	Related site procedures .....	40
6.2.23	Specific alarm design considerations .....	41
6.2.24	Alarm system audit .....	41
6.3	Alarm philosophy development and maintenance .....	41
7	Alarm system requirements specification.....	41
7.1	Purpose .....	41
7.2	Recommendations.....	42
7.3	Development.....	42
7.4	Systems evaluation .....	42
7.5	Customization .....	43
7.6	Alarm system requirements testing .....	43
8	Identification.....	43
8.1	Purpose .....	43
8.2	Alarm identification methods.....	43
8.3	Identification training .....	43
9	Rationalization.....	43
9.1	Purpose .....	43
9.2	Rationalization documentation .....	44
9.2.1	Rationalization documentation requirements .....	44
9.2.2	Rationalization documentation recommendations .....	44
9.3	Alarm justification.....	44
9.3.1	Alarm justification process.....	44
9.3.2	Justification approach .....	44
9.3.3	Individual alarm justification .....	45
9.3.4	Impact on alarm system .....	45
9.4	Alarm setpoint determination .....	45

9.5	Prioritization.....	45
9.6	Removal .....	45
9.7	Classification .....	46
9.8	Review.....	46
9.9	Use of documentation.....	46
10	Detailed design: Basic alarm design.....	46
10.1	Purpose .....	46
10.2	Usage of alarm states .....	46
10.2.1	Alarm state triggering.....	46
10.2.2	Alarm states and other logic functions .....	46
10.2.3	Alarm suppression and other logic functions .....	47
10.3	Alarm types.....	47
10.4	Alarm attributes.....	47
10.4.1	General .....	47
10.4.2	Alarm description .....	48
10.4.3	Alarm setpoints .....	48
10.4.4	Alarm priority .....	48
10.4.5	Alarm deadbands .....	48
10.4.6	Alarm on-delay and off-delay.....	48
10.5	Programmatic changes to alarm attributes .....	49
10.6	Review basic alarm design.....	49
11	Detailed design: Human-machine interface design for alarm systems.....	49
11.1	Purpose .....	49
11.2	HMI functions.....	49
11.2.1	General.....	49
11.2.2	HMI information requirements.....	49
11.2.3	HMI functional requirements.....	50
11.2.4	HMI display requirements.....	50
11.2.5	Alarm records requirements .....	50
11.2.6	Alarm records recommendations .....	50
11.3	Alarm states indications .....	50
11.3.1	General .....	50
11.3.2	Required alarm state indications.....	51
11.3.3	Recommended alarm state indications.....	51
11.3.4	Audible alarm state indications .....	52
11.4	Alarm priority indications .....	52
11.4.1	General .....	52
11.4.2	Alarm priority indication requirements.....	52
11.4.3	Colour alarm priority indications requirements .....	52
11.4.4	Recommended alarm priority indications.....	53
11.5	Alarm message indications .....	53
11.5.1	General .....	53
11.5.2	Recommended alarm message indications .....	53
11.6	Alarm displays .....	53
11.6.1	General .....	53
11.6.2	Alarm summary display .....	54
11.6.3	Alarm summary status.....	55
11.6.4	Alarm log displays.....	55
11.6.5	Process displays .....	56

11.6.6	Tag detail displays .....	56
11.6.7	Other display elements.....	56
11.7	Alarm shelving .....	56
11.7.1	General .....	56
11.7.2	Alarm shelving functional requirements.....	56
11.7.3	Alarm shelving functional recommendations.....	57
11.7.4	Shelved alarm displays .....	57
11.8	Out-of-service alarms .....	57
11.8.1	General .....	57
11.8.2	Out-of-service alarm functional requirements .....	58
11.8.3	Out-of-service alarm displays .....	58
11.9	Alarms suppressed by design .....	58
11.9.1	General .....	58
11.9.2	Designed suppression functional requirements .....	58
11.9.3	Design suppression functional recommendations .....	59
11.9.4	Suppressed-by-design displays .....	59
11.10	Alarm annunciator integration .....	59
11.10.1	General .....	59
11.10.2	Alarm annunciator integration recommendations .....	59
11.10.3	Alarm annunciator display integration recommendations .....	60
11.11	Safety alarm HMI .....	60
11.11.1	General .....	60
11.11.2	Independent safety alarm HMI .....	60
12	Detailed design: Enhanced and advanced alarm methods.....	60
12.1	Purpose .....	60
12.2	Basis of enhanced and advanced alarming .....	60
12.2.1	General .....	60
12.2.2	Effort, manpower requirements and complexity .....	60
12.3	Information linking.....	61
12.4	Logic-based alarming .....	61
12.4.1	General .....	61
12.4.2	Alarm attribute modification .....	61
12.4.3	Externally enabled systems .....	61
12.4.4	Logical alarm suppression and attribute modification .....	61
12.4.5	State-based alarming .....	61
12.5	Model-based alarming .....	61
12.6	Additional alarming considerations .....	62
12.6.1	General .....	62
12.6.2	Non-control room considerations .....	62
12.6.3	Remote alarm systems.....	62
12.6.4	Supplementary alarm systems.....	62
12.6.5	Batch process considerations.....	62
12.7	Training, testing, and auditing systems .....	63
12.8	Alarm attribute enforcement .....	63
13	Implementation .....	63
13.1	Purpose .....	63
13.2	Implementation planning .....	63
13.3	Implementation training .....	63
13.3.1	General .....	63

13.3.2	Implementation training .....	63
13.3.3	Implementation training requirements .....	64
13.3.4	Training documentation requirements for highly managed alarms .....	64
13.3.5	Training documentation recommendations .....	64
13.3.6	Implementation training requirements for new or modified alarm systems .....	64
13.3.7	Implementation training recommendations for new or modified alarm systems .....	64
13.4	Implementation testing and validation .....	64
13.4.1	General .....	64
13.4.2	Implementation testing requirements for highly managed alarms .....	64
13.4.3	Implementation testing recommendations for new or modified alarms .....	65
13.4.4	Implementation testing requirements for new or modified alarm systems .....	65
13.5	Implementation documentation .....	65
13.5.1	General .....	65
13.5.2	Documentation requirements .....	65
13.5.3	Implementation documentation recommendations .....	65
14	Operation .....	66
14.1	Purpose .....	66
14.2	Alarm response procedures .....	66
14.2.1	Alarm response requirements .....	66
14.2.2	Alarm response procedure recommendations .....	66
14.3	Alarm shelving .....	66
14.3.1	Alarm shelving requirements .....	66
14.3.2	Alarm shelving for highly managed alarms .....	67
14.3.3	Alarm shelving recommendations .....	67
14.3.4	Alarm shelving record requirements .....	67
14.4	Refresher training for operators .....	67
14.4.1	Refresher training requirements for operators .....	67
14.4.2	Refresher training documentation for highly managed alarms .....	67
14.4.3	Refresher training content for highly managed alarms .....	67
14.4.4	Refresher training recommendations for alarms .....	67
15	Maintenance .....	68
15.1	Purpose .....	68
15.2	Periodic alarm testing .....	68
15.2.1	General .....	68
15.2.2	Periodic alarm testing requirements .....	68
15.2.3	Periodic alarm testing for highly managed alarms .....	68
15.2.4	Periodic alarm test procedure requirements .....	68
15.2.5	Periodic alarm test procedure recommendations .....	68
15.2.6	Periodic alarm testing recommendations .....	69
15.3	Out-of-service alarms .....	69
15.3.1	General .....	69
15.3.2	Out-of-service process requirements .....	69
15.3.3	Out-of-service highly managed alarms .....	69
15.3.4	Out-of-service process recommendations .....	69
15.3.5	Requirements for returning alarms to service .....	69
15.4	Equipment repair .....	69
15.5	Equipment replacement .....	70

ITEH STANDARD REVIEW  
(standards.iteh.ai)

IEC 62682:2014  
<https://standards.iteh.ai/catalog/standards/sist/6c5cb6b6-9fc9-418c-a68c-643c51ac4583/iec-62682-2014>



15.6	Refresher training for maintenance .....	70
15.6.1	General requirements.....	70
15.6.2	Refresher training requirements for highly managed alarms .....	70
15.6.3	Refresher training recommendations for alarms .....	70
16	Monitoring and assessment .....	70
16.1	Purpose .....	70
16.2	Requirements.....	70
16.3	Monitoring, assessment, audit, and benchmark.....	70
16.4	Alarm system monitoring .....	71
16.5	Alarm system performance metrics .....	71
16.5.1	General .....	71
16.5.2	Average alarm rate per operator console .....	71
16.5.3	Peak alarm rate per operator console .....	72
16.5.4	Alarm floods.....	72
16.5.5	Frequently occurring alarms .....	73
16.5.6	Chattering and fleeting alarms.....	73
16.5.7	Stale alarms.....	73
16.5.8	Annunciated alarm priority distribution .....	73
16.5.9	Alarm priority distribution .....	74
16.6	Unauthorized alarm suppression.....	74
16.7	Alarm attribute monitoring .....	74
16.8	Reporting of alarm system analyses .....	74
16.9	Alarm performance metric summary.....	74
17	Management of change.....	75
17.1	Purpose <a href="https://standards.iteh.ai/catalog/standards/sist/6c5cb6b6-9fc9-418c-a68c-642736745876/iec-62682-2014">https://standards.iteh.ai/catalog/standards/sist/6c5cb6b6-9fc9-418c-a68c-642736745876/iec-62682-2014</a> .....	75
17.2	Changes subject to management of change.....	75
17.3	Change documentation requirements.....	76
17.4	Change documentation recommendations.....	76
17.5	Alarm removal recommendations .....	76
17.6	Alarm attribute modification recommendations .....	76
18	Audit .....	77
18.1	Purpose .....	77
18.2	Benchmark.....	77
18.2.1	General .....	77
18.2.2	Initial audit or benchmark requirements .....	77
18.3	Audit interviews.....	77
18.4	Audit recommendations .....	77
18.5	Action plans .....	78
	Bibliography .....	79
	Figure 1 – Alarm system dataflow.....	13
	Figure 2 – Alarm management lifecycle .....	24
	Figure 3 – Alarm state transition diagram .....	29
	Figure 4 – Alarm response timeline .....	33
	Figure 5 – Feedback model of operator-process interaction .....	35
	Table 1 – Alarm management lifecycle stage inputs and outputs .....	28

Table 2 – Alarm states .....	31
Table 3 – Required and recommended alarm philosophy content .....	36
Table 4 – Recommended alarm state indications .....	52
Table 5 – Average alarm rates .....	72
Table 6 – Annunciated alarm priority distribution .....	73
Table 7 – Recommended alarm performance metrics summary .....	75

**iTeh STANDARD PREVIEW**  
**(standards.iteh.ai)**

[IEC 62682:2014](#)

<https://standards.iteh.ai/catalog/standards/sist/6c5cb6b6-9fc9-418c-a68c-643c3fac4583/iec-62682-2014>

## INTERNATIONAL ELECTROTECHNICAL COMMISSION

**MANAGEMENT OF ALARMS SYSTEMS FOR THE PROCESS INDUSTRIES**

## FOREWORD

- 1) The International Electrotechnical Commission (IEC) is a worldwide organization for standardization comprising all national electrotechnical committees (IEC National Committees). The object of IEC is to promote international co-operation on all questions concerning standardization in the electrical and electronic fields. To this end and in addition to other activities, IEC publishes International Standards, Technical Specifications, Technical Reports, Publicly Available Specifications (PAS) and Guides (hereafter referred to as "IEC Publication(s)"). Their preparation is entrusted to technical committees; any IEC National Committee interested in the subject dealt with may participate in this preparatory work. International, governmental and non-governmental organizations liaising with the IEC also participate in this preparation. IEC collaborates closely with the International Organization for Standardization (ISO) in accordance with conditions determined by agreement between the two organizations.
- 2) The formal decisions or agreements of IEC on technical matters express, as nearly as possible, an international consensus of opinion on the relevant subjects since each technical committee has representation from all interested IEC National Committees.
- 3) IEC Publications have the form of recommendations for international use and are accepted by IEC National Committees in that sense. While all reasonable efforts are made to ensure that the technical content of IEC Publications is accurate, IEC cannot be held responsible for the way in which they are used or for any misinterpretation by any end user.
- 4) In order to promote international uniformity, IEC National Committees undertake to apply IEC Publications transparently to the maximum extent possible in their national and regional publications. Any divergence between any IEC Publication and the corresponding national or regional publication shall be clearly indicated in the latter.
- 5) IEC itself does not provide any attestation of conformity. Independent certification bodies provide conformity assessment services and, in some areas, access to IEC marks of conformity. IEC is not responsible for any services carried out by independent certification bodies.
- 6) All users should ensure that they have the latest edition of this publication.
- 7) No liability shall attach to IEC or its directors, employees, servants or agents including individual experts and members of its technical committees and IEC National Committees for any personal injury, property damage or other damage of any nature whatsoever, whether direct or indirect, or for costs (including legal fees) and expenses arising out of the publication, use of, or reliance upon, this IEC Publication or any other IEC Publications.
- 8) Attention is drawn to the Normative references cited in this publication. Use of the referenced publications is indispensable for the correct application of this publication.
- 9) Attention is drawn to the possibility that some of the elements of this IEC Publication may be the subject of patent rights. IEC shall not be held responsible for identifying any or all such patent rights.

International Standard IEC 62682 has been prepared by subcommittee 65A: System aspects, of IEC technical committee 65: Industrial-process measurement, control and automation.

The text of this standard is based on the following documents:

FDIS	Report on voting
65A/704/FDIS	65A/706/RVD

Full information on the voting for the approval of this standard can be found in the report on voting indicated in the above table.

This publication has been drafted in accordance with the ISO/IEC Directives, Part 2.

The committee has decided that the contents of this publication will remain unchanged until the stability date indicated on the IEC web site under "<http://webstore.iec.ch>" in the data related to the specific publication. At this date, the publication will be

- reconfirmed,
- withdrawn,
- replaced by a revised edition, or
- amended.

## **iTeh STANDARD PREVIEW (standards.iteh.ai)**

[IEC 62682:2014](#)

<https://standards.iteh.ai/catalog/standards/sist/6c5cb6b6-9fc9-418c-a68c-643c3fac4583/iec-62682-2014>

## INTRODUCTION

### Purpose

This International Standard addresses the development, design, installation, and management of alarm systems in the process industries. Alarm management includes multiple work processes throughout the alarm system lifecycle. This standard defines the terminology and models to develop an alarm system, and it defines the work processes recommended to effectively maintain the alarm system throughout the lifecycle.

This standard was adapted from ANSI/ISA-18.2-2009, *Management of Alarm Systems for the Process Industries*, an International Society of Automation (ISA) standard, and with due consideration of other guidance documents that have been developed throughout industry. Ineffective alarm systems have often been cited as contributing factors in the investigation reports following major process incidents. This standard is intended to provide a methodology that will result in the improved safety of the process industries.

This standard is not the first effort to define terminology and practices for effective alarm systems. In 1999 the Engineering Equipment and Materials Users' Association (EEMUA) issued Publication 191, *Alarm Systems: A Guide to Design, Management and Procurement*. In 2003 the User Association of Process Control Technology in Chemical and Pharmaceutical Industries (NAMUR) issued worksheet NA 102, *Alarm Management*.

During the development of this standard every effort was made to keep terminology and practices consistent with the previous work of these respected organizations and committees.

This document provides requirements for alarm management and alarm systems. It is intended for those individuals and organizations that

- a) manufacture or implement embedded alarm systems,
- b) manufacture or implement third-party alarm system software,
- c) design or install alarm systems,
- d) operate and/or maintain alarm systems, and
- e) audit or assess alarm system performance.

### Organization

This standard is organized in two parts. The first part is introductory in nature, (Clauses 1 to 5). The main body of the standard follows (Clauses 6 to 18).

# MANAGEMENT OF ALARMS SYSTEMS FOR THE PROCESS INDUSTRIES

## 1 Scope

### 1.1 General applicability

This International Standard specifies general principles and processes for the lifecycle management of alarm systems based on programmable electronic controller and computer-based human-machine interface (HMI) technology for facilities in the process industries. It covers all alarms presented to the operator, which includes alarms from basic process control systems, annunciator panels, safety instrumented systems, fire and gas systems, and emergency response systems.

The practices in this standard are applicable to continuous, batch, and discrete processes. There can be differences in implementation to meet the specific needs based on process type.

In jurisdictions where the governing authorities (e.g., national, federal, state, province, county, city) have established process safety design, process safety management, or other requirements, in addition to the requirements of this standard, these should be taken into consideration.

**iTeh STANDARD PREVIEW**

The primary function within the alarm system is to notify operators of abnormal process conditions or equipment malfunctions and support the response. The alarm systems can include both the basic process control system (BPCS) and the safety instrumented system (SIS), each of which uses measurements of process conditions and logic to generate alarms. Figure 1 illustrates the concepts of alarm and response dataflow through the alarm system. The alarm system also includes a mechanism for communicating the alarm information to the operator via an HMI, usually a computer screen or an annunciator panel. Additional functions of the alarm system are an alarm and event log, an alarm historian, and the generation of performance metrics for the alarm system. There are external systems that can use the data from the alarm system.

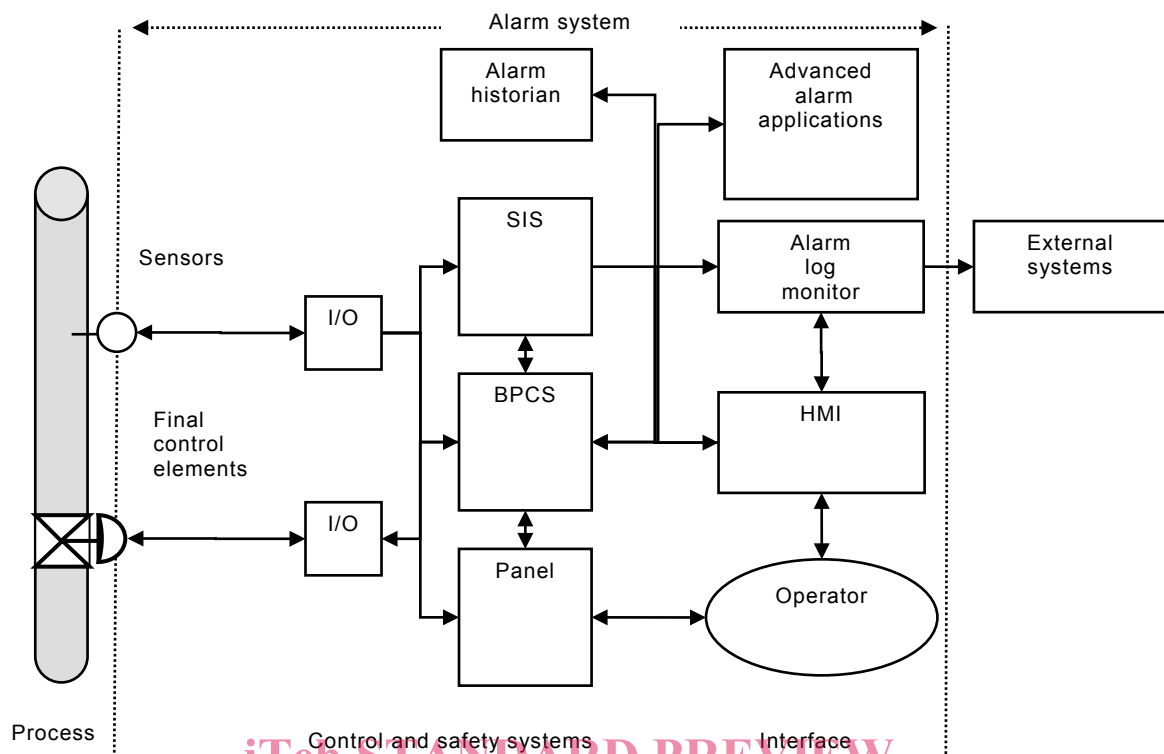


Figure 1 – Alarm system dataflow

IEC

## 1.2 Exclusions and inclusions [IEC 62682:2014](https://standards.iteh.ai/catalog/standards/sist/6c5cb6b6-9fc9-418c-a68c-643c3fac4583/iec-62682-2014)

### 1.2.1 Operators

The functions of the operator receiving and responding to alarms are included in the scope of this standard. Management of operators is excluded from the scope of this standard.

### 1.2.2 Process sensors and final control elements

The alarms from sensors and final control elements are included in the scope of this standard. Process sensors and final control elements are shown in Figure 1 to indicate alarms can be implemented in these devices. The design and management of process sensors and final control elements are excluded from the scope of this standard.

### 1.2.3 Safety instrumented systems

The alarms from safety instrumented systems are included in the scope of this standard. The safety instrumented system (SIS) is shown in Figure 1 to indicate alarms can be implemented in these devices. The design and management of safety instrumented systems are excluded from this standard. Refer to IEC 61511.

The alarms and diagnostics from fire detection and protective systems or security systems that are presented to the operator through the control system are included in the scope of this standard. Fire detection and protective systems and security systems are excluded from the scope of this standard.

### 1.2.4 Event data

The indication and processing of analog, discrete, and event data other than alarm indications are excluded from the scope of this standard. The analysis techniques using both alarm and event data are excluded from the scope of this standard.