



SLOVENSKI STANDARD

SIST ISO/TR 10391:1995

01-september-1995

Stroji za spravilo krme - Postopki določanja velikosti delcev zrezane krme na podlagi sejanja

Forage harvesters -- Method of determining by screening and expressing particle size of chopped forage materials

iTeh STANDARD PREVIEW

Récolteuses de fourrage -- Méthode pour déterminer par tamisage et exprimer la dimension particulière des matériaux de fourrage haché

[SIST ISO/TR 10391:1995](https://standards.iteh.ai/catalog/standards/sist/cd775f0-0adf-4b3e-a864-cdd1a516927/sist-iso-tr-10391-1995)

Ta slovenski standard je istoveten z: ISO/TR 10391:1992

ICS:

65.060.50 Oprema za spravilo pridelkov Harvesting equipment

SIST ISO/TR 10391:1995

en

iTeh STANDARD PREVIEW
(standards.iteh.ai)

[SIST ISO/TR 10391:1995](https://standards.iteh.ai/catalog/standards/sist/cd775fc0-0adf-4b3e-a864-cdfdfa5f8927/sist-iso-tr-10391-1995)

<https://standards.iteh.ai/catalog/standards/sist/cd775fc0-0adf-4b3e-a864-cdfdfa5f8927/sist-iso-tr-10391-1995>

TECHNICAL REPORT

ISO
TR 10391

First edition
1992-04-01

Forage harvesters — Method of determining by screening and expressing particle size of chopped forage materials

iTeh STANDARD PREVIEW

*Récolteuses de fourrage — Méthode pour déterminer par tamisage et
exprimer la dimension particulaire des matériaux de fourrage haché*

[SIST ISO/TR 10391:1995](https://standards.iteh.ai/catalog/standards/sist/cd775fc0-0adf-4b3e-a864-cdf1fa5f8927/sist-iso-tr-10391-1995)

<https://standards.iteh.ai/catalog/standards/sist/cd775fc0-0adf-4b3e-a864-cdf1fa5f8927/sist-iso-tr-10391-1995>



Reference number
ISO/TR 10391:1992(E)

Foreword

ISO (the International Organization for Standardization) is a worldwide federation of national standards bodies (ISO member bodies). The work of preparing International Standards is normally carried out through ISO technical committees. Each member body interested in a subject for which a technical committee has been established has the right to be represented on that committee. International organizations, governmental and non-governmental, in liaison with ISO, also take part in the work. ISO collaborates closely with the International Electrotechnical Commission (IEC) on all matters of electrotechnical standardization.

The main task of technical committees is to prepare International Standards, but in exceptional circumstances a technical committee may propose the publication of a Technical Report of one of the following types:

- type 1, when the required support cannot be obtained for the publication of an International Standard, despite repeated efforts;
- type 2, when the subject is still under technical development, or where for any other reason there is the future, but not immediate possibility of an agreement on an International Standard;
- type 3, when a technical committee has collected data of a different kind from that which is normally published as an International Standard ("state of the art", for example).

Technical Reports of types 1 and 2 are subject to review within three years of publication, to decide whether they can be transformed into International Standards. Technical Reports of type 3 do not necessarily have to be reviewed until the data they provide are considered to be no longer valid or useful.

ISO/TR 10391, which is a Technical Report of type 2, was prepared by Technical Committee ISO/TC 23, *Tractors and machinery for agriculture and forestry*, Sub-Committee SC 7, *Equipment for harvesting and conservation*.

The reasons which led to the decision to publish this document in the form of a Technical Report of Type 2 are the following.

- The different organizations which deal with this problem already have their test methods.

© ISO 1992

All rights reserved. No part of this publication may be reproduced or utilized in any form or by any means, electronic or mechanical, including photocopying and microfilm, without permission in writing from the publisher.

International Organization for Standardization
Case Postale 56 • CH-1211 Genève 20 • Switzerland

Printed in Switzerland

- Alignment of their methods with the one proposed will thus facilitate exchange and comparison.

This document is being issued in the type 2 Technical Report series of publications (according to subclause G.6.2.2 of part 1 of the IEC/ISO Directives) as a “prospective standard for provisional application” in the field of harvesting because there is an urgent need for guidance on how standards in this field should be used to meet an identified need.

This document is not to be regarded as an “International Standard”. It is proposed for provisional application so that information and experience of its use in practice may be gathered. Comments on the content of this document should be sent to the ISO Central Secretariat.

A review of this type 2 Technical Report will be carried out not later than two years after its publication with the options of: extension for another two years; conversion into an International Standard; or withdrawal.

Annex A of this Technical Report is for information only.

iTeh STANDARD PREVIEW (standards.iteh.ai)

[SIST ISO/TR 10391:1995](https://standards.iteh.ai/catalog/standards/sist/cd775fc0-0adf-4b3e-a864-cdfdfa5f8927/sist-iso-tr-10391-1995)

<https://standards.iteh.ai/catalog/standards/sist/cd775fc0-0adf-4b3e-a864-cdfdfa5f8927/sist-iso-tr-10391-1995>

iTeh STANDARD PREVIEW
(standards.iteh.ai)

This page intentionally left blank

[SIST ISO/TR 10391:1995](#)

<https://standards.iteh.ai/catalog/standards/sist/cd775fc0-0adf-4b3e-a864-cdfdfa5f8927/sist-iso-tr-10391-1995>

Forage harvesters — Method of determining by screening and expressing particle size of chopped forage materials

1 Scope

1.1 This Technical Report gives a test method to determine the particle size distribution of chopped forage materials and a method of expressing the particle length of the material. The determined particle size distribution can be used to evaluate forage harvesting machine and handling equipment variables, and to define forage physical length in animal feeding trials.

1.2 This Technical Report may be used to determine the particle size of chopped forage materials where the reduction process yields particles such as that material produced by shear-bar type forage harvesters. It is not intended for use on material produced by flail-type harvesters where substantial fractions of the material may be extremely long.

1.3 This Technical Report is intended for use in the field as well as in the laboratory. It is intended to separate chopped forage samples without drying them first.

NOTE 1 Other methods of determining and expressing particle size of chopped forage materials exist; annex A gives a list of these methods.

2 Test equipment

2.1 For particle-measuring purposes, a set of square-hole screens having widths of 406 mm, lengths of 565 mm and specifications as shown in table 1 shall be used. The screens shall be supported in frames with depths of 63,5 mm and arranged horizontally in a stack such that the screen with the largest opening size is at the top. Those with smaller openings shall be arranged with progressively smaller hole sizes below each other. If screens with different size openings from those listed in table 1 are used, the actual dimensions for the openings shall be used in the data analysis and shall be reported.

2.2 A suitable screen shaker is required. The shaker shall oscillate the screen stack in a horizontal plane. The centre of one side of the screen stack shall have a pivot and shall oscillate in a straight horizontal line on a slider block. The opposite side of the screen stack shall be supported on and moved by a horizontal crank arm, the crank-end centre of which is located 765,2 mm from the centre of the slider block pivot located on the other side of the screen stack. The centre of the arm shall travel in a horizontal circle with a diameter of 117 mm (see figures 1 and 2).

NOTE 2 Information on plans for constructing such a screen shaker may be obtained from the American Society of Agricultural Engineers.

Table 1 — Dimensions of square-hole screens for test purposes

Screen No. ¹⁾	Nominal size opening mm	Square hole diagonal mm	Screen thickness mm	Open area %
1	19	26,9	12,7	45
2	12,7	18	9,6	33
3	6,3	8,98	4,8	33
4	3,96	5,61	3,1	39
5	1,17	1,65	0,64	41,5
Pan	—	—	—	—

1) All screens are aluminium sheets or plates, except screen No. 5 which has 14 mesh woven wire cloth with 0,64 mm diameter wires.

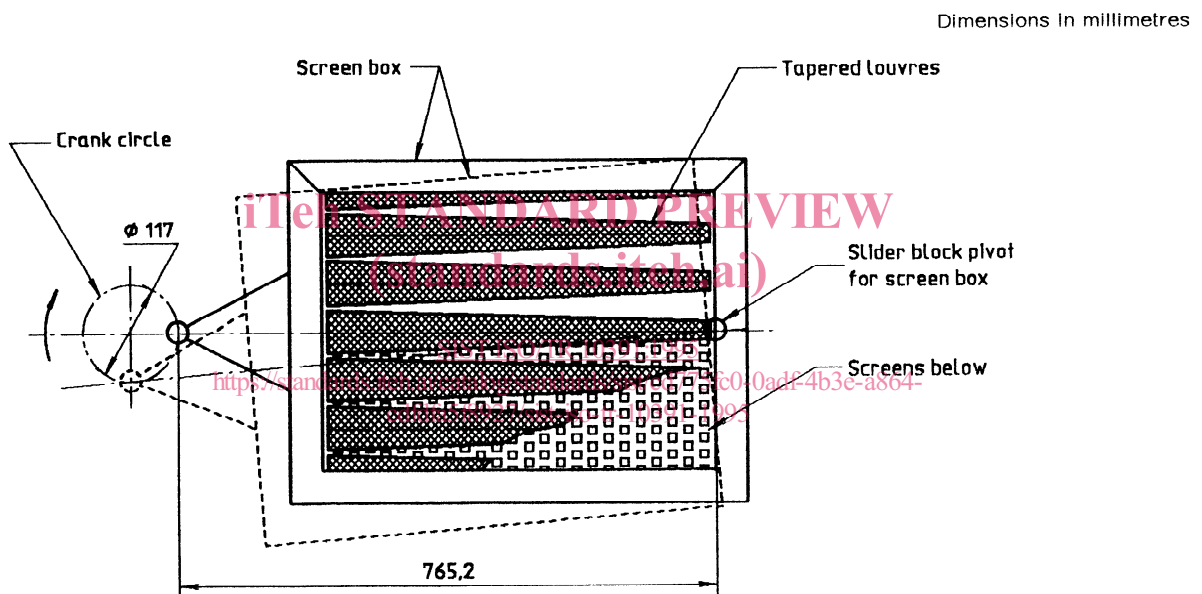


Figure 1 — Top view of forage particle separator showing screen motion and feeder position

Dimensions in millimetres

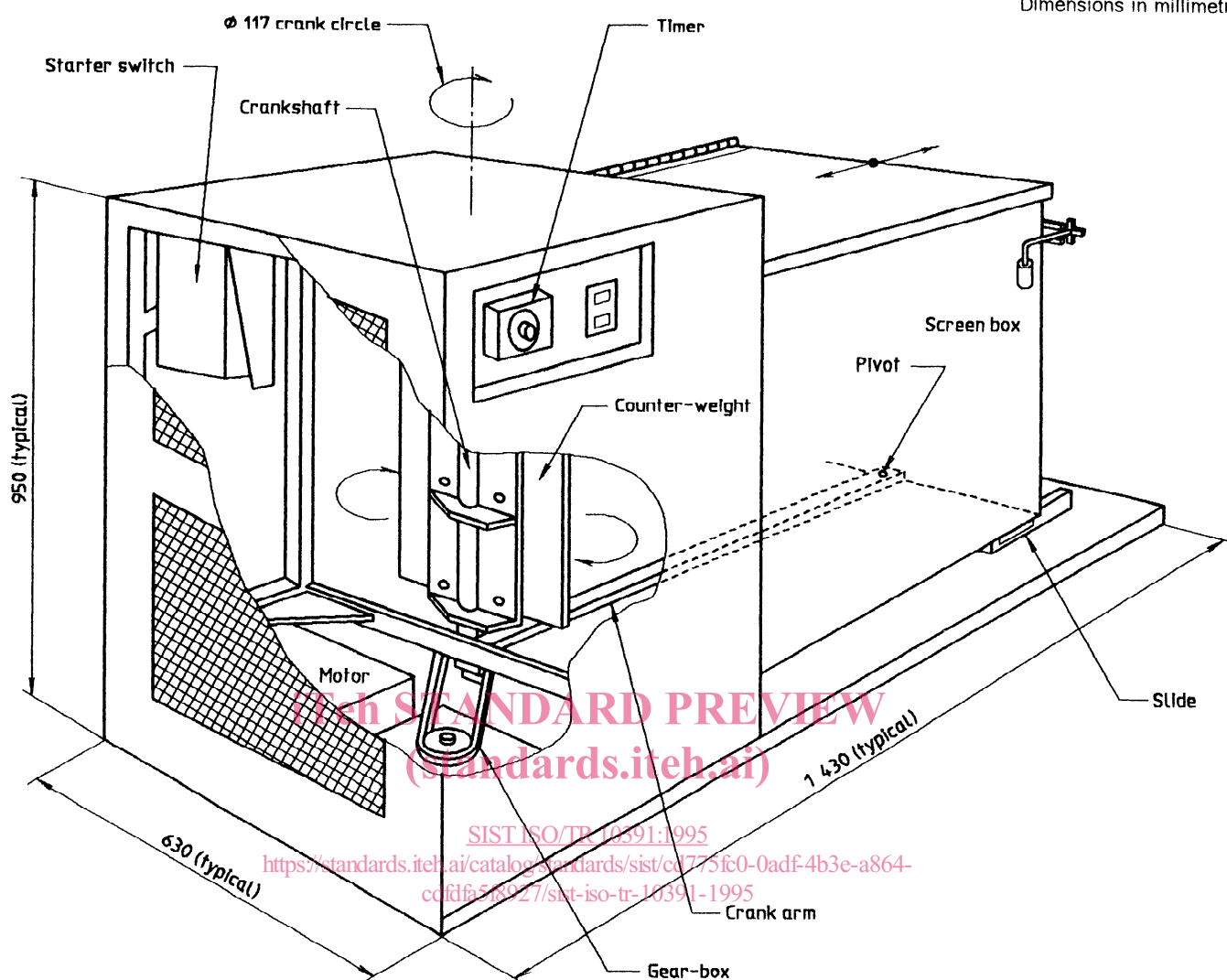


Figure 2 — Schematic diagram of forage particle separator

- 2.3 The screen shaker shall drive the screen stack at a frequency of $2,4 \text{ Hz} \pm 0,08 \text{ Hz}$.
- 2.4 The shaker should be operated with the screens level.
- 2.5 A weighing balance having an accuracy of at least $\pm 0,5 \text{ g}$ shall be used for weighing the product.

3 Method of screening

- 3.1 Uncompressed samples of 9 dm^3 to 10 dm^3 of forage should be used. Samples of 2 dm^3 to 3 dm^3 of material may be used if extra care is taken to recover the material from each screen. For field work, the larger samples are usually preferred. The sample volume size should be reported with the data.
- 3.2 Place the sample on the top of the sample feeder (near the closed end) above the top screen of the screen set and operate the shaker for 120 s.
- 3.3 The tapered louvres on the feeder should be preset to feed the sample to the top screen in 20 s to 30 s. The louvres may be inclined to change the feeding time. This adjustment is made using successive trials with practice samples similar to the crop material to be evaluated for particle size distribution.