

INTERNATIONAL STANDARD



Industrial communication networks – Profiles –
Part 5-10: Installation of fieldbuses – Installation profiles for CPF 10

(<https://standards.iteh.ai>)
Document Preview

[IEC 61784-5-10:2010](https://standards.iteh.ai/catalog/standards/iec/ac67552c-52a7-4252-8871-7a42589f2ff8/iec-61784-5-10-2010)

<https://standards.iteh.ai/catalog/standards/iec/ac67552c-52a7-4252-8871-7a42589f2ff8/iec-61784-5-10-2010>



THIS PUBLICATION IS COPYRIGHT PROTECTED

Copyright © 2010 IEC, Geneva, Switzerland

All rights reserved. Unless otherwise specified, no part of this publication may be reproduced or utilized in any form or by any means, electronic or mechanical, including photocopying and microfilm, without permission in writing from either IEC or IEC's member National Committee in the country of the requester.

If you have any questions about IEC copyright or have an enquiry about obtaining additional rights to this publication, please contact the address below or your local IEC member National Committee for further information.

IEC Central Office
3, rue de Varembe
CH-1211 Geneva 20
Switzerland
Email: inmail@iec.ch
Web: www.iec.ch

About the IEC

The International Electrotechnical Commission (IEC) is the leading global organization that prepares and publishes International Standards for all electrical, electronic and related technologies.

About IEC publications

The technical content of IEC publications is kept under constant review by the IEC. Please make sure that you have the latest edition, a corrigenda or an amendment might have been published.

- Catalogue of IEC publications: www.iec.ch/searchpub

The IEC on-line Catalogue enables you to search by a variety of criteria (reference number, text, technical committee,...). It also gives information on projects, withdrawn and replaced publications.

- IEC Just Published: www.iec.ch/online_news/justpub

Stay up to date on all new IEC publications. Just Published details twice a month all new publications released. Available on-line and also by email.

- Electropedia: www.electropedia.org

The world's leading online dictionary of electronic and electrical terms containing more than 20 000 terms and definitions in English and French, with equivalent terms in additional languages. Also known as the International Electrotechnical Vocabulary online.

- Customer Service Centre: www.iec.ch/webstore/custserv

If you wish to give us your feedback on this publication or need further assistance, please visit the Customer Service Centre FAQ or contact us:

Email: csc@iec.ch

Tel.: +41 22 919 02 11
Fax: +41 22 919 03 00

http://www.iec.ch/online_news/justpub

<https://standards.iteh.ai/> <https://standards.iteh.ai/catalog/standards/iec/ac67552c-52a7-4252-8871-7a42589f2ff8/iec-61784-5-10-2010>



IEC 61784-5-10

Edition 2.0 2010-07

INTERNATIONAL STANDARD



**Industrial communication networks – Profiles –
Part 5-10: Installation of fieldbuses – Installation profiles for CPF 10**

*iteh Standards
(<https://standards.iteh.ai>)
Document Preview*

IEC 61784-5-10:2010

<https://standards.iteh.ai/catalog/standards/iec/ac67552c-52a7-4252-8871-7a42589f2ff8/iec-61784-5-10-2010>

INTERNATIONAL
ELECTROTECHNICAL
COMMISSION

PRICE CODE

R

ICS 25.040.40; 35.100.40

ISBN 978-2-88912-057-4

CONTENTS

FOREWORD.....	3
INTRODUCTION.....	5
1 Scope.....	6
2 Normative references	6
3 Terms, definitions and abbreviated terms	6
4 CPF 10: Overview of installation profiles	6
5 Installation profile conventions	6
6 Conformance to installation profiles.....	7
Annex A (normative) CP 10/1 (Vnet/IP™) specific installation profile	8
Bibliography.....	19
Figure 1 – Standards relationships.....	5
Table A.1 – Network characteristics for balanced cabling based on Ethernet	10
Table A.2 – Network characteristics for optical fibre cabling.....	10
Table A.3 – Information relevant to copper cable: fixed cables.....	11
Table A.4 – Information relevant to copper cable: cords.....	12
Table A.5 – Information relevant to optical fibre cables	12
Table A.6 – Connectors for balanced cabling CPs based on Ethernet	13
Table A.7 – Optical fibre connecting hardware.....	14

[IEC 61784-5-10:2010](https://standards.iteh.ai/catalog/standards/iec/ac67552c-52a7-4252-8871-7a42589f2ff8/iec-61784-5-10-2010)

<https://standards.iteh.ai/catalog/standards/iec/ac67552c-52a7-4252-8871-7a42589f2ff8/iec-61784-5-10-2010>

INTERNATIONAL ELECTROTECHNICAL COMMISSION

**INDUSTRIAL COMMUNICATION NETWORKS –
PROFILES –****Part 5-10: Installation of fieldbuses –
Installation profiles for CPF 10**

FOREWORD

- 1) The International Electrotechnical Commission (IEC) is a worldwide organization for standardization comprising all national electrotechnical committees (IEC National Committees). The object of IEC is to promote international co-operation on all questions concerning standardization in the electrical and electronic fields. To this end and in addition to other activities, IEC publishes International Standards, Technical Specifications, Technical Reports, Publicly Available Specifications (PAS) and Guides (hereafter referred to as “IEC Publication(s)”). Their preparation is entrusted to technical committees; any IEC National Committee interested in the subject dealt with may participate in this preparatory work. International, governmental and non-governmental organizations liaising with the IEC also participate in this preparation. IEC collaborates closely with the International Organization for Standardization (ISO) in accordance with conditions determined by agreement between the two organizations.
- 2) The formal decisions or agreements of IEC on technical matters express, as nearly as possible, an international consensus of opinion on the relevant subjects since each technical committee has representation from all interested IEC National Committees.
- 3) IEC Publications have the form of recommendations for international use and are accepted by IEC National Committees in that sense. While all reasonable efforts are made to ensure that the technical content of IEC Publications is accurate, IEC cannot be held responsible for the way in which they are used or for any misinterpretation by any end user.
- 4) In order to promote international uniformity, IEC National Committees undertake to apply IEC Publications transparently to the maximum extent possible in their national and regional publications. Any divergence between any IEC Publication and the corresponding national or regional publication shall be clearly indicated in the latter.
- 5) IEC itself does not provide any attestation of conformity. Independent certification bodies provide conformity assessment services and, in some areas, access to IEC marks of conformity. IEC is not responsible for any services carried out by independent certification bodies.
- 6) All users should ensure that they have the latest edition of this publication.
- 7) No liability shall attach to IEC or its directors, employees, servants or agents including individual experts and members of its technical committees and IEC National Committees for any personal injury, property damage or other damage of any nature whatsoever, whether direct or indirect, or for costs (including legal fees) and expenses arising out of the publication, use of, or reliance upon, this IEC Publication or any other IEC Publications.
- 8) Attention is drawn to the Normative references cited in this publication. Use of the referenced publications is indispensable for the correct application of this publication.
- 9) Attention is drawn to the possibility that some of the elements of this IEC Publication may be the subject of patent rights. IEC shall not be held responsible for identifying any or all such patent rights.

International Standard IEC 61784-5-10 has been prepared by subcommittee 65C: Industrial networks, of IEC technical committee 65: Industrial-process measurement, control and automation.

This second edition cancels and replaces the first edition published in 2007. This edition constitutes an editorial revision.

This edition does not include technical changes with respect to the previous edition.

This standard is to be used in conjunction with IEC 61918:2010.

The text of this standard is based on the following documents:

FDIS	Report on voting
65C/602/FDIS	65C/616/RVD

Full information on the voting for the approval of this standard can be found in the report on voting indicated in the above table.

This publication has been drafted in accordance with the ISO/IEC Directives, Part 2.

A list of all parts of the IEC 61784-5 series, published under the general title *Industrial communication networks – Profiles – Installation of fieldbuses*, can be found on the IEC website.

The committee has decided that the contents of this publication will remain unchanged until the stability date indicated on the IEC web site under "<http://webstore.iec.ch>" in the data related to the specific publication. At this date, the publication will be

- reconfirmed,
- withdrawn,
- replaced by a revised edition, or
- amended.

A bilingual version of this publication may be issued at a later date.

IMPORTANT – The 'colour inside' logo on the cover page of this publication indicates that it contains colours which are considered to be useful for the correct understanding of its contents. Users should therefore print this document using a colour printer.

<https://standards.iten.ai/>
<https://catalog/standards/iec/ac67552c-52a7-4252-8871-7a42589f2ff8/iec-61784-5-10-2010>

INTRODUCTION

This International Standard is one of a series produced to facilitate the use of communication networks in industrial control systems.

IEC 61918:2010 provides the common requirements for the installation of communication networks in industrial control systems. This installation profile standard provides the installation profiles of the communication profiles (CP) of a specific communication profile family (CPF) by stating which requirements of IEC 61918 fully apply and, where necessary, by supplementing, modifying, or replacing the other requirements (see Figure 1).

For general background on fieldbuses, their profiles, and relationship between the installation profiles specified in this standard, see IEC/TR 61158-1.

Each CP installation profile is specified in a separate annex of this standard. Each annex is structured exactly as the reference standard IEC 61918 for the benefit of the persons representing the roles in the fieldbus installation process as defined in IEC 61918 (planner, installer, verification personnel, validation personnel, maintenance personnel, administration personnel). By reading the installation profile in conjunction with IEC 61918, these persons immediately know which requirements are common for the installation of all CPs and which are modified or replaced. The conventions used to draft this standard are defined in Clause 5.

The provision of the installation profiles in one standard for each CPF (for example IEC 61784-5-10 for CPF 10), allows readers to work with standards of a convenient size.

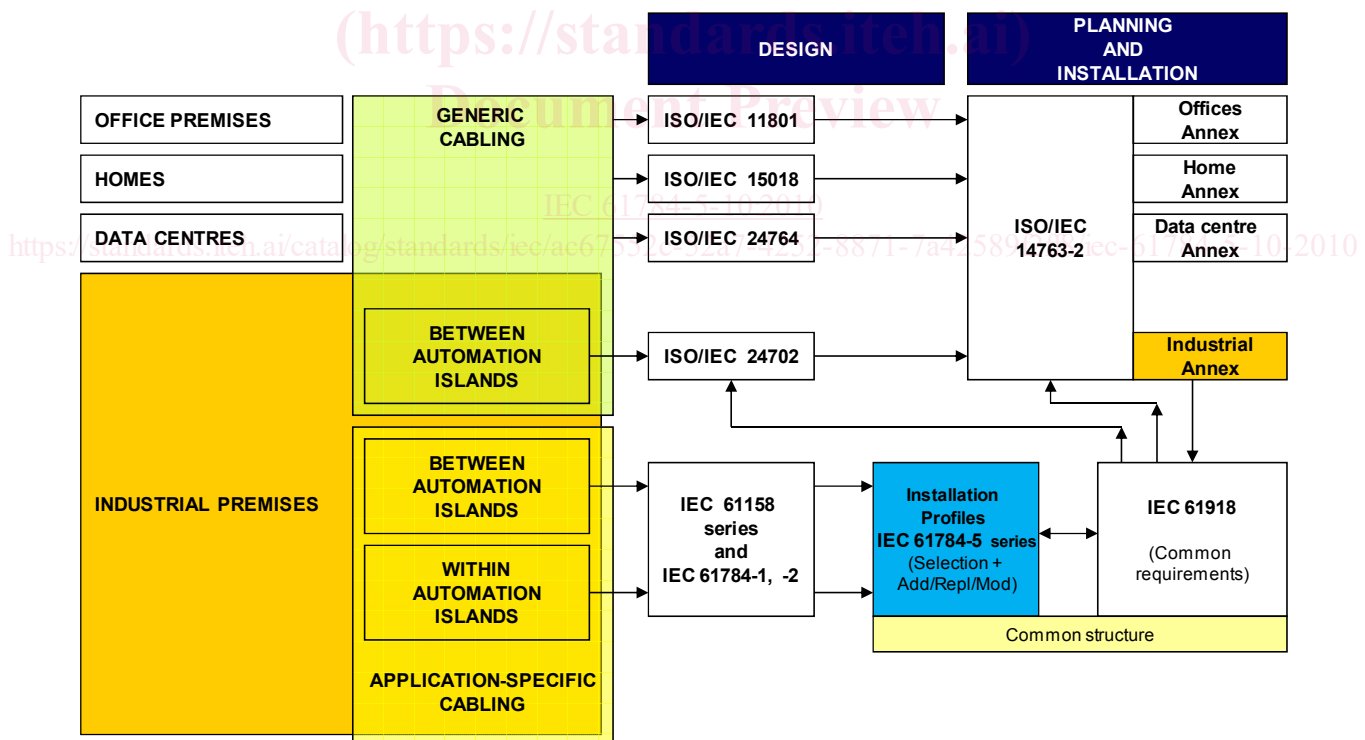


Figure 1 – Standards relationships

INDUSTRIAL COMMUNICATION NETWORKS – PROFILES –

Part 5-10: Installation of fieldbuses – Installation profiles for CPF 10

1 Scope

This part of IEC 61784 specifies the installation profile for CPF 10 (Vnet/IP™)¹.

The installation profile is specified in the annex. This annex is read in conjunction with IEC 61918:2010.

2 Normative references

The following referenced documents are indispensable for the application of this document. For dated references, only the edition cited applies. For undated references, the latest edition of the referenced document (including any amendments) applies.

IEC 61918:2010, *Industrial communication networks – Installation of communication networks in industrial premises*

The normative references of IEC 61918:2010, Clause 2, apply.

3 Terms, definitions and abbreviated terms

For the purposes of this document, the terms, definitions and abbreviated terms of IEC 61918:2010, Clause 3, apply. For profile specific terms, definitions and abbreviated terms see Clause A.3.

4 CPF 10: Overview of installation profiles

CPF 10 consists of one communication profile as specified in IEC 61784-2.

The installation requirements for CP 10/1 (Vnet/IP™) are specified in Annex A.

5 Installation profile conventions

The numbering of the clauses and subclauses in the annexes of this standard corresponds to the numbering of IEC 61918 main clauses and subclauses.

The annex clauses and subclauses of this standard supplement, modify, or replace the respective clauses and subclauses in IEC 61918.

¹ Vnet/IP™ is a trade name of Yokogawa Electric Corporation. This information is given for the convenience of users of this International Standard and does not constitute an endorsement by IEC of the trademark holder or any of its products. Compliance to this standard does not require use of the trade name Vnet/IP™. Use of the trade name Vnet/IP™ requires permission of Yokogawa Electric Corporation.

Where there is no corresponding subclause of IEC 61918 in the normative annexes in this standard, the subclause of IEC 61918 applies without modification.

The annex heading letter represents the installation profile assigned in Clause 4. The annex (sub)clause numbering following the annex letter shall represent the corresponding (sub)clause numbering of IEC 61918..

EXAMPLE “Annex B.4.4” in IEC 61784-5-3 means that CP 3/2 specifies the Subclause 4.4 of IEC 61918.

All main clauses of IEC 61918 are cited and apply in full unless otherwise stated in each normative installation profile annex.

If all subclauses of a (sub)clause are omitted, then the corresponding IEC 61918 (sub)clause applies.

If in a (sub)clause it is written “Not applicable”, then the corresponding IEC 61918 (sub)clause does not apply.

If in a (sub)clause it is written “*Addition*”, then the corresponding IEC 61918 (sub)clause applies with the additions written in the profile.

If in a (sub)clause it is written “*Replacement*”, then the text provided in the profile replaces the text of the corresponding IEC 61918 (sub)clause.

NOTE A replacement can also comprise additions.

If in a (sub)clause it is written “*Modification*”, then the corresponding IEC 61918 (sub)clause applies with the modifications written in the profile.

If all (sub)clauses of a (sub)clause are omitted but in this (sub)clause it is written “(sub)clause x has *addition*” (or “*replacement*”) or is “(Sub)clause x is not applicable.”, then (sub)clause x becomes valid as declared and all the other corresponding IEC 61918 (sub)clauses apply.

<https://standards.iteh.ai/catalog/standards/iec/ac67552c-52a7-4252-8871-7a42589f2ff8/iec-61784-5-10-2010>

6 Conformance to installation profiles

Each installation profile within this standard includes part of IEC 61918:2010. It may also include defined additional specifications.

A statement of compliance to an installation profile of this standard shall be stated² as either

Compliance to IEC 61784-5-10:2010³ for CP 10/1 <name> or

Compliance to IEC 61784-5-10 (Ed.2.0) for CP 10/1 <name>

where the name within the angle brackets < > is optional and the angle brackets are not to be included.

NOTE The name may be the name of the profile, for example Vnet/IP.

If the name is a trade name then the permission of the trade name holder shall be required.

Product standards shall not include any conformity assessment aspects (including quality management provisions), neither normative nor informative, other than provisions for product testing (evaluation and examination).

² In accordance with ISO/IEC Directives

³ The date should not be used when the edition number is used.

Annex A (normative)

CP 10/1 (Vnet/IP™) specific installation profile

A.1 Installation profile scope

Addition:

This standard specifies the installation profile for for Communication Profile CP 10/1 (Vnet/IP). The CP 10/1 is specified in IEC 61784-2.

A.2 Normative references

A.3 Installation profile terms, definitions, and abbreviated terms

A.3.1 Terms and definitions

Addition:

A.3.1.1

Repeater HUB

concentrator device such as 1000BASE-T common type HUB.

A.3.2 Abbreviated terms

A.3.3 Conventions for installation profiles

<https://standards.iteh.ai/catalog/standards/iec/ac67552c-52a7-4252-8871-7a42589f2ff8/iec-61784-5-10-2010>
Not applicable.

A.4 Installation planning

A.4.1 Introduction

A.4.1.1 Objective

A.4.1.2 Cabling in industrial premises

A.4.1.3 The planning process

A.4.1.4 Specific requirements for CPs

Not applicable.