

INTERNATIONAL STANDARD

ISO
10599-1

First edition
1992-11-01

Car radios — Coaxial aerial connectors —

Part 1: Dimensions

iTeh STANDARD PREVIEW

(standards.iteh.ai)

Autoradios — Raccords coaxiaux d'antenne —

Partie 1: Dimensions

ISO 10599-1:1992

<https://standards.iteh.ai/catalog/standards/sist/b0d47d07-05da-45ee-99a5-a7a85d0f2f93/iso-10599-1-1992>



Reference number
ISO 10599-1:1992(E)

Foreword

ISO (the International Organization for Standardization) is a worldwide federation of national standards bodies (ISO member bodies). The work of preparing International Standards is normally carried out through ISO technical committees. Each member body interested in a subject for which a technical committee has been established has the right to be represented on that committee. International organizations, governmental and non-governmental, in liaison with ISO, also take part in the work. ISO collaborates closely with the International Electrotechnical Commission (IEC) on all matters of electrotechnical standardization.

Draft International Standards adopted by the technical committees are circulated to the member bodies for voting. Publication as an International Standard requires approval by at least 75 % of the member bodies casting a vote.

International Standard ISO 10599-1 was prepared by Technical Committee ISO/TC 22, *Road vehicles*.

ISO 10599 consists of the following parts, under the general title *Car radios — Coaxial aerial connectors*:

- Part 1: *Dimensions*
- Part 2: *Characteristic values, performance requirements and tests*

Car radios — Coaxial aerial connectors —

Part 1: Dimensions

1 Scope

This part of ISO 10599 lays down dimensional specifications of the plug and socket for the coaxial aerial connector of car radios for mounting in road vehicles.

2 Normative reference

The following standard contains provisions which, through reference in this text, constitute provisions of this part of ISO 10599. At the time of publication, the edition indicated was valid. All standards are subject to revision, and parties to agreements based on this part of ISO 10599 are encouraged to investigate the possibility of applying the most recent edition of the standard indicated below. Members of IEC and ISO maintain registers of currently valid International Standards.

ISO 10599-2:—¹⁾, *Car radios — Coaxial aerial connectors — Part 2: Characteristic values, performance requirements and tests.*

3 Dimensions

3.1 General

The aerial connector shall meet the dimensional specifications shown in figures 1 and 2 to ensure interchangeability.

Details of the aerial connector not specified are left to the manufacturer.

The design of the plug shall ensure that, when making the connection, the outer contacts and the plug housing are centred before the pin comes into contact with the tube of the socket.

The connector shall meet the performance requirements in ISO 10599-2.

3.2 Plug

Requirements for the aerial connector plug shall be as shown in figure 1.

3.3 Socket

Requirements for the aerial connector socket shall be as shown in figure 2.

4 Designation

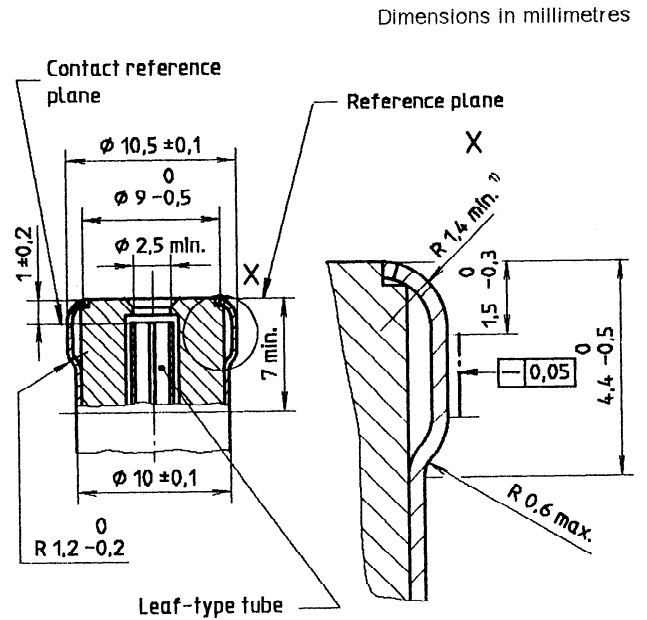
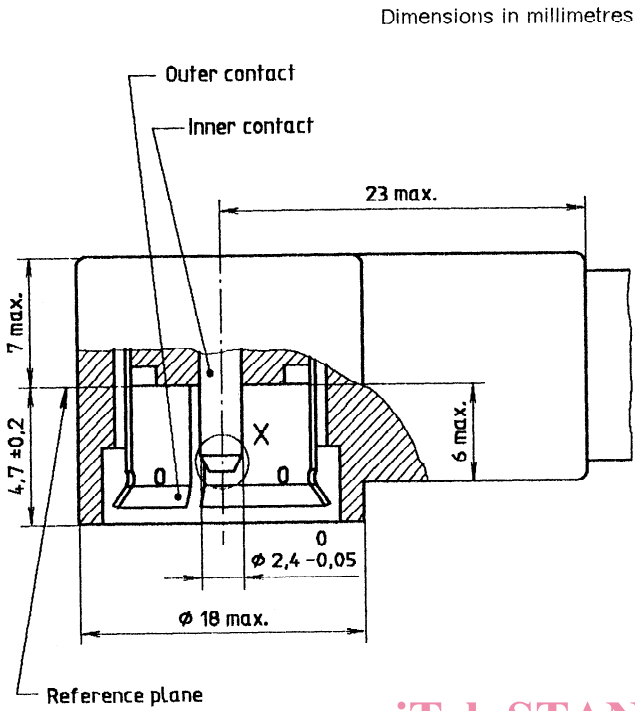
An aerial connector plug which meets the requirements of this International Standard shall be designated:

Plug ISO 10599

An aerial connector socket which meets the requirements of this International Standard shall be designated:

Socket ISO 10599

1) To be published.



1) Other forms, such as conical, are allowed.



Figure 1 — Aerial connector plug

iTeh STANDARD PREVIEW
(standards.iteh.ai)

This page intentionally left blank

ISO 10599-1:1992

<https://standards.iteh.ai/catalog/standards/sist/b0d47d07-05da-45ee-99a5-a7a85d0f2f93/iso-10599-1-1992>

iTeh STANDARD PREVIEW
(standards.iteh.ai)

This page intentionally left blank

[ISO 10599-1:1992](#)

<https://standards.iteh.ai/catalog/standards/sist/b0d47d07-05da-45ee-99a5-a7a85d0f2f93/iso-10599-1-1992>

iTeh STANDARD PREVIEW
(standards.iteh.ai)

This page intentionally left blank

[ISO 10599-1:1992](#)

<https://standards.iteh.ai/catalog/standards/sist/b0d47d07-05da-45ee-99a5-a7a85d0f2f93/iso-10599-1-1992>

iTeh STANDARD PREVIEW
(standards.iteh.ai)

ISO 10599-1:1992

<https://standards.iteh.ai/catalog/standards/sist/b0d47d07-05da-45ee-99a5-a7a85d0f2f93/iso-10599-1-1992>

UDC 629.1.018.7:621.396.676:621.315.687

Descriptors: road vehicles, radio equipment, antenna conductors, connectors, dimensions.

Price based on 2 pages
