

# INTERNATIONAL STANDARD

**ISO**  
**10626**

First edition  
1991-11-15

---

---

## **Equipment for crop protection — Sprayers — Connecting dimensions for nozzles with bayonet fixing**

### **iTeh STANDARD PREVIEW**

*Matériel de traitement agropharmaceutique — Pulvérisateurs —  
Dimensions de raccordement pour buses avec fixation par baïonnette*

ISO 10626:1991

[https://standards.itih.ai/catalog/standards/sist/614fab33-e57f-432f-a942-  
fe1575905846/iso-10626-1991](https://standards.itih.ai/catalog/standards/sist/614fab33-e57f-432f-a942-fe1575905846/iso-10626-1991)



Reference number  
ISO 10626:1991(E)

## Foreword

ISO (the International Organization for Standardization) is a worldwide federation of national standards bodies (ISO member bodies). The work of preparing International Standards is normally carried out through ISO technical committees. Each member body interested in a subject for which a technical committee has been established has the right to be represented on that committee. International organizations, governmental and non-governmental, in liaison with ISO, also take part in the work. ISO collaborates closely with the International Electrotechnical Commission (IEC) on all matters of electrotechnical standardization.

Draft International Standards adopted by the technical committees are circulated to the member bodies for voting. Publication as an International Standard requires approval by at least 75% of the member bodies casting a vote.

International Standard ISO 10626 was prepared by Technical Committee ISO/TC 23, *Tractors and machinery for agriculture and forestry*, Subcommittee SC 6, *Equipment for crop protection*. [ISO 10626:1991](https://standards.iteh.ai/)

<https://standards.iteh.ai/catalog/standards/sist/614fab33-e57f-432f-a942-fe1575905846/iso-10626-1991>

© ISO 1991

All rights reserved. No part of this publication may be reproduced or utilized in any form or by any means, electronic or mechanical, including photocopying and microfilm, without permission in writing from the publisher.

International Organization for Standardization  
Case Postale 56 • CH-1211 Genève 20 • Switzerland

Printed in Switzerland

# Equipment for crop protection — Sprayers — Connecting dimensions for nozzles with bayonet fixing

## 1 Scope

This International Standard specifies the connecting dimensions for nozzles with bayonet fixing to allow interchangeability.

It applies to flat spraying nozzles with bayonet fixing for agricultural sprayers.

are subject to revision, and parties to agreements based on this International Standard are encouraged to investigate the possibility of applying the most recent edition of the standard indicated below. Members of IEC and ISO maintain registers of currently valid International Standards.

ISO 8169:1984, *Equipment for crop protection — Sprayers — Connecting dimensions for nozzles and manometers*

## 2 Normative reference

The following standard contains provisions which, through reference in this text, constitute provisions of this International Standard. At the time of publication, the edition indicated was valid. All standards

## 3 Dimensions

Connecting dimensions for flat spraying nozzles with bayonet fixing shall be those given in figure 1. For dimensions of nozzle body, see ISO 8169.

Dimensions in millimetres

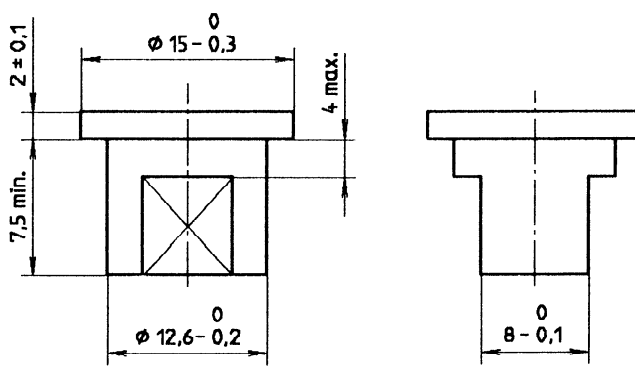


Figure 1

**iTeh STANDARD PREVIEW**  
**(standards.iteh.ai)**

ISO 10626:1991

<https://standards.iteh.ai/catalog/standards/sist/614fab33-e57f-432f-a942-fe1575905846/iso-10626-1991>

---

---

**UDC 631.348.45:632.98**

**Descriptors:** agricultural machinery, agricultural sprayers, nozzles, connecting dimensions.

Price based on 1 page

---

---