



SLOVENSKI STANDARD
SIST ISO 10626:1999

01-marec-1999

Oprema za zaščito pridelavne rasti -- Razpne naprave -- Dimenzije za priključevanje nosilcev s priključevanjem

Equipment for crop protection -- Sprayers -- Connecting dimensions for nozzles with bayonet fixing

Standardna predogled

Matériel de traitement agropharmaceutique -- Pulvérisateurs -- Dimensions de raccordement pour buses avec fixation par baïonnette

[SIST ISO 10626:1999](https://standards.iteh.ai/catalog/standards/sist/12313501-4a24-4a4c-b8ce-7915ac60f5b4/sist-iso-10626-1999)

Ta slovenski standard je istoveten z: ISO 10626:1991

ICS:

65.060.40 Oprema za nego rastlin Plant care equipment

SIST ISO 10626:1999 en

iTeh STANDARD PREVIEW
(standards.iteh.ai)

SIST ISO 10626:1999

<https://standards.iteh.ai/catalog/standards/sist/12313501-4a24-4a4c-b8ee-7913ac80f5b4/sist-iso-10626-1999>

INTERNATIONAL STANDARD

ISO
10626

First edition
1991-11-15

Equipment for crop protection — Sprayers — Connecting dimensions for nozzles with bayonet fixing

iTeh STANDARD PREVIEW

*Matériel de traitement agropharmaceutique — Pulvérisateurs —
Dimensions de raccordement pour buses avec fixation par baïonnette*

[SIST ISO 10626:1999](https://standards.iteh.ai/catalog/standards/sist/12313501-4a24-4a4c-b8ee-7913ac80f5b4/sist-iso-10626-1999)

<https://standards.iteh.ai/catalog/standards/sist/12313501-4a24-4a4c-b8ee-7913ac80f5b4/sist-iso-10626-1999>



Reference number
ISO 10626:1991(E)

ISO 10626:1991(E)

Foreword

ISO (the International Organization for Standardization) is a worldwide federation of national standards bodies (ISO member bodies). The work of preparing International Standards is normally carried out through ISO technical committees. Each member body interested in a subject for which a technical committee has been established has the right to be represented on that committee. International organizations, governmental and non-governmental, in liaison with ISO, also take part in the work. ISO collaborates closely with the International Electrotechnical Commission (IEC) on all matters of electrotechnical standardization.

Draft International Standards adopted by the technical committees are circulated to the member bodies for voting. Publication as an International Standard requires approval by at least 75% of the member bodies casting a vote.

International Standard ISO 10626 was prepared by Technical Committee ISO/TC 23, *Tractors and machinery for agriculture and forestry*, Subcommittee SC 6, *Equipment for crop protection*. [SIST ISO 10626:1999](https://standards.iteh.ai/catalog/standards/sist/12313501-4a24-4a4c-b8ee-7913ac80f5b4/sist-iso-10626-1999)

<https://standards.iteh.ai/catalog/standards/sist/12313501-4a24-4a4c-b8ee-7913ac80f5b4/sist-iso-10626-1999>

© ISO 1991

All rights reserved. No part of this publication may be reproduced or utilized in any form or by any means, electronic or mechanical, including photocopying and microfilm, without permission in writing from the publisher.

International Organization for Standardization
Case Postale 56 • CH-1211 Genève 20 • Switzerland

Printed in Switzerland

Equipment for crop protection — Sprayers — Connecting dimensions for nozzles with bayonet fixing

1 Scope

This International Standard specifies the connecting dimensions for nozzles with bayonet fixing to allow interchangeability.

It applies to flat spraying nozzles with bayonet fixing for agricultural sprayers.

are subject to revision, and parties to agreements based on this International Standard are encouraged to investigate the possibility of applying the most recent edition of the standard indicated below. Members of IEC and ISO maintain registers of currently valid International Standards.

ISO 8169:1984, *Equipment for crop protection — Sprayers — Connecting dimensions for nozzles and manometers*

2 Normative reference

The following standard contains provisions which, through reference in this text, constitute provisions of this International Standard. At the time of publication, the edition indicated was valid. All standards

3 Dimensions

Connecting dimensions for flat spraying nozzles with bayonet fixing shall be those given in figure 1. For dimensions of nozzle body, see ISO 8169.

Dimensions in millimetres

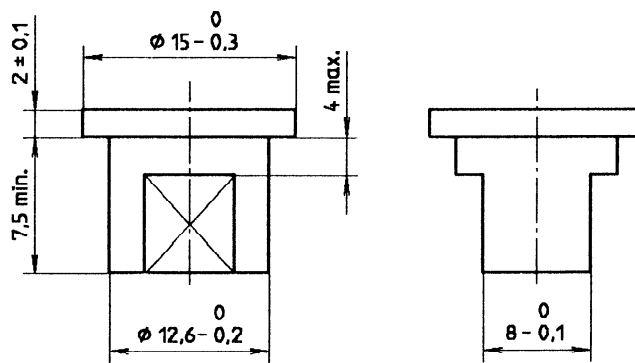


Figure 1