

INTERNATIONAL STANDARD

NORME INTERNATIONALE

AMENDMENT 2
AMENDEMENT 2

**Plugs, socket-outlets and couplers for industrial purposes –
Part 2: Dimensional interchangeability requirements for pin and contact-tube
accessories**

**Prises de courant pour usages industriels –
Partie 2: Règles d'interchangeabilité dimensionnelle pour les appareils à
broches et alvéoles**





THIS PUBLICATION IS COPYRIGHT PROTECTED

Copyright © 2012 IEC, Geneva, Switzerland

All rights reserved. Unless otherwise specified, no part of this publication may be reproduced or utilized in any form or by any means, electronic or mechanical, including photocopying and microfilm, without permission in writing from either IEC or IEC's member National Committee in the country of the requester.

If you have any questions about IEC copyright or have an enquiry about obtaining additional rights to this publication, please contact the address below or your local IEC member National Committee for further information.

Droits de reproduction réservés. Sauf indication contraire, aucune partie de cette publication ne peut être reproduite ni utilisée sous quelque forme que ce soit et par aucun procédé, électronique ou mécanique, y compris la photocopie et les microfilms, sans l'accord écrit de la CEI ou du Comité national de la CEI du pays du demandeur.

Si vous avez des questions sur le copyright de la CEI ou si vous désirez obtenir des droits supplémentaires sur cette publication, utilisez les coordonnées ci-après ou contactez le Comité national de la CEI de votre pays de résidence.

IEC Central Office
3, rue de Varembe
CH-1211 Geneva 20
Switzerland

Tel.: +41 22 919 02 11
Fax: +41 22 919 03 00
info@iec.ch
www.iec.ch

About the IEC

The International Electrotechnical Commission (IEC) is the leading global organization that prepares and publishes International Standards for all electrical, electronic and related technologies.

About IEC publications

The technical content of IEC publications is kept under constant review by the IEC. Please make sure that you have the latest edition, a corrigenda or an amendment might have been published.

Useful links:

IEC publications search - www.iec.ch/searchpub

The advanced search enables you to find IEC publications by a variety of criteria (reference number, text, technical committee,...).

It also gives information on projects, replaced and withdrawn publications.

IEC Just Published - webstore.iec.ch/justpublished

Stay up to date on all new IEC publications. Just Published details all new publications released. Available on-line and also once a month by email.

Electropedia - www.electropedia.org

The world's leading online dictionary of electronic and electrical terms containing more than 30 000 terms and definitions in English and French, with equivalent terms in additional languages. Also known as the International Electrotechnical Vocabulary (IEV) on-line.

Customer Service Centre - webstore.iec.ch/csc

If you wish to give us your feedback on this publication or need further assistance, please contact the Customer Service Centre: csc@iec.ch.

A propos de la CEI

La Commission Electrotechnique Internationale (CEI) est la première organisation mondiale qui élabore et publie des Normes internationales pour tout ce qui a trait à l'électricité, à l'électronique et aux technologies apparentées.

A propos des publications CEI

Le contenu technique des publications de la CEI est constamment revu. Veuillez vous assurer que vous possédez l'édition la plus récente, un corrigendum ou amendement peut avoir été publié.

Liens utiles:

Recherche de publications CEI - www.iec.ch/searchpub

La recherche avancée vous permet de trouver des publications CEI en utilisant différents critères (numéro de référence, texte, comité d'études,...).

Elle donne aussi des informations sur les projets et les publications remplacées ou retirées.

Just Published CEI - webstore.iec.ch/justpublished

Restez informé sur les nouvelles publications de la CEI. Just Published détaille les nouvelles publications parues. Disponible en ligne et aussi une fois par mois par email.

Electropedia - www.electropedia.org

Le premier dictionnaire en ligne au monde de termes électroniques et électriques. Il contient plus de 30 000 termes et définitions en anglais et en français, ainsi que les termes équivalents dans les langues additionnelles. Egalement appelé Vocabulaire Electrotechnique International (VEI) en ligne.

Service Clients - webstore.iec.ch/csc

Si vous désirez nous donner des commentaires sur cette publication ou si vous avez des questions contactez-nous: csc@iec.ch.

INTERNATIONAL STANDARD

NORME INTERNATIONALE

AMENDMENT 2
AMENDEMENT 2

**Plugs, socket-outlets and couplers for industrial purposes –
Part 2: Dimensional interchangeability requirements for pin and contact-tube
accessories**

**Prises de courant pour usages industriels –
Partie 2: Règles d'interchangeabilité dimensionnelle pour les appareils à
broches et alvéoles**

INTERNATIONAL
ELECTROTECHNICAL
COMMISSION

COMMISSION
ELECTROTECHNIQUE
INTERNATIONALE

PRICE CODE
CODE PRIX

G

ICS 29.120.30

ISBN 978-2-8322-0047-6

**Warning! Make sure that you obtained this publication from an authorized distributor.
Attention! Veuillez vous assurer que vous avez obtenu cette publication via un distributeur agréé.**

FOREWORD

This amendment has been prepared by subcommittee 23H: Industrial plugs and socket-outlets, of IEC technical committee 23: Electrical accessories.

The text of this amendment is based on the following documents:

FDIS	Report on voting
23H/275/FDIS	23H/280/RVD

Full information on the voting for the approval of this amendment can be found in the report on voting indicated in the above table.

The committee has decided that the contents of this amendment and the base publication will remain unchanged until the stability date indicated on the IEC web site under "http://webstore.iec.ch" in the data related to the specific publication. At this date, the publication will be

- reconfirmed,
- withdrawn,
- replaced by a revised edition, or
- amended.

iTeh STANDARD PREVIEW
(standards.iteh.ai)

[IEC 60309-2:1999/AMD2:2012](https://standards.iteh.ai/catalog/standards/sist/2edaabb7-ab94-4439-afe3-a51a981a481d/iec-60309-2-1999-amd2-2012)

<https://standards.iteh.ai/catalog/standards/sist/2edaabb7-ab94-4439-afe3-a51a981a481d/iec-60309-2-1999-amd2-2012>

1 Scope

Replace in the first paragraph the value "690 V" by "1 000 V".

Replace the fifth paragraph – text introduced by amendment 1 – by the following:

This standard applies to accessories with screwless type terminals or insulation piercing terminals, with a rated current up to and including 32 A for series I and 30 A for series II.

Delete the note following the fifth paragraph.

3 Normative references

Add the following reference:

IEC 60364-4-41, *Low-voltage electrical installations – Part 4-41: Protection for safety – Protection against electric shock*

Table 104

Replace the table by the following new Table 104:

Number of contacts	Type	Frequency Hz	Rated operating voltage V	Accessories earthing-contact position ^a	
				16/20 A 32/30 A	63/60 A 125/100 A
3 contacts	1P+N+⏚ Series II	50 and 60	100 to 130	4	4
		60	277	5	5
	2P+⏚ Series I and II	50 and 60	100 to 130	4	4
			200 to 250	6	6
		50 and 60	380 to 415	9	9
			480 to 500	7	7
			Supply from an isolating transformer	12	12
		100 up to and including 300	Over 50	10	10
		Over 300 up to and including 500	Over 50	2	2
		Direct current	Over 50 up to and including 250 ^d	3	3
Over 250	8		8		
4 contacts	2P+N+⏚ Series II	50 and 60	125/250 single-phase	12	12
	Series I	50 and 60	Supply from an isolating transformer	12	12
	3P+⏚ Series I and II	50 and 60	100 to 130	4	4
			200 to 250	9	9
		50 and 60	380 to 415	6	6
			440 to 460 ^b	11	11
		50 and 60	480 to 500	7	7
			600 to 690	5	5
		50 60	380 440 ^c	3	3
		50 and 60	1000	-	8
100 up to and including 300	Over 50	10	10		
Over 300 up to and including 500	Over 50	2	2		
5 contacts	3P+N+⏚	50 and 60	57/100 to 75/130	4	4
			120/208 to 144/250	9	9
			200/346 to 240/415	6	6
			277/480 to 288/500	7	7
			347/600 to 400/690	5	5
	60	250/440 to 265/460 ^b	11	11	
	50 60	220/380 250/440 ^c	3	3	

Table 104 (2 of 2)

Number of contacts	Type	Frequency Hz	Rated operating voltage V	Accessories earthing-contact position ^a	
				16/20 A 32/30 A	63/60 A 125/100 A
		50 and 60	Supply from an isolating transformer	12	12
		100 up to and including 300	Over 50	10	10
		Over 300 up to and including 500	Over 50	2	2
	All types	All rated operating voltage and/or frequencies not covered by other configurations. This clock counter position can additionally be used in special applications where a distinction to standardized positions is needed		1	1

NOTE The positions shown by a dash (–) are not standardized.

a The earthing-contact position is indicated by the relevant numeral (see 7.1).
 b Mainly for marine installations.
 c Only for refrigerated containers (standardized ISO).
 d This configuration is required to have an earthing contact because it covers voltages above the upper limits of ELV (d.c.) according to IEC 60364-4-41.

STANDARD PREVIEW

(standards.iteh.ai)

16.101 Additional subclause:

Replace the contents of the subclause by:
<https://standards.iteh.ai/catalog/standards/sist/2edaabb7-ab94-4439-afe3-a51a981a481d/iec-60309-2-1999-amd2-2012>

Pins shall be solid, i.e. made of a single homogenous material without any intentional hole, slot, slit or the like.

This requirement is applicable for the pin parts described by:

- h_2 and h_3 of standard sheet 2-II;
- h_2 of standard sheet 2-IV;
- h_2 and h_5 of standard sheet 2-IVa;
- dimension of the pin 20,5 (0, -1) of standard sheets 2-IX and 2-IXa.

Compliance is checked by inspection.

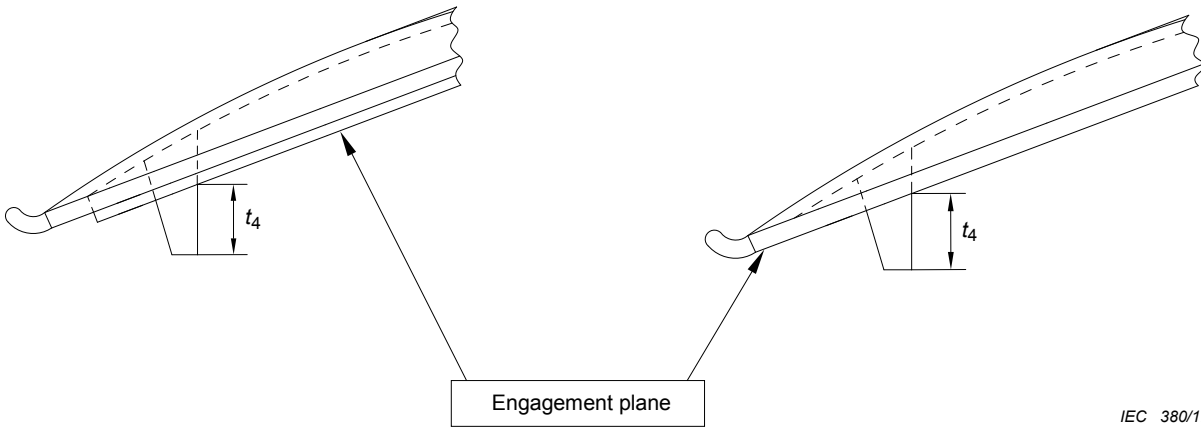
Standard sheet 2-I

(continuation 1)

Add the following after the existing table:

The dimension t_4 of the retaining device is taken from the engagement plane (see following figure).

The dimension referred as "5 max" is taken on the engagement plane (see following figure).



IEC 380/12

Standard sheet 2-II iTeh STANDARD PREVIEW
(standards.iteh.ai)

Modify in the first table "Dimensions for standard sheet 2-II" the heading of column 18 to read h_8 instead of h_7 , as follows:

<https://standards.iteh.ai/catalog/standards/sist/2edaabb7-ab94-4439-afe3-a51a981a481d/iec-60309-2-1999-amd2-2012>

Dimensions for standard sheet 2-II

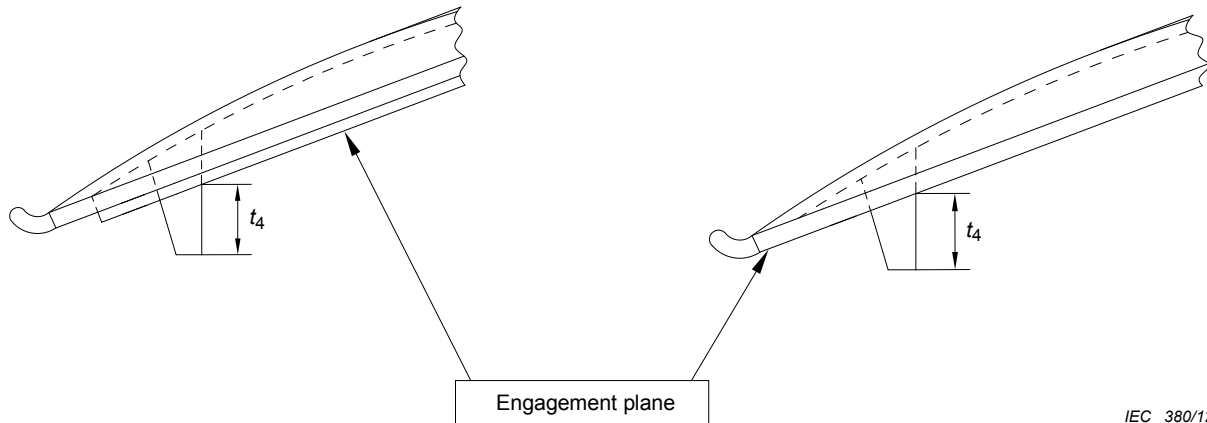
3)	1)	6)		6)		4)		
	h_6	h_7		h_8		l_1		
	max.	max.	min.	max.	min.	4)	5)	Tol.
27.5	3.5	1.7	0.8	1.5	0.75	46.5	47.0	0 ±

Standard sheet 2-III
(continuation 1)

Add the following after the existing drawing:

The dimension t_4 of the retaining device is taken from the engagement plane (see following figure).

The dimension referred as "5 max" is taken on the engagement plane (see following figure).

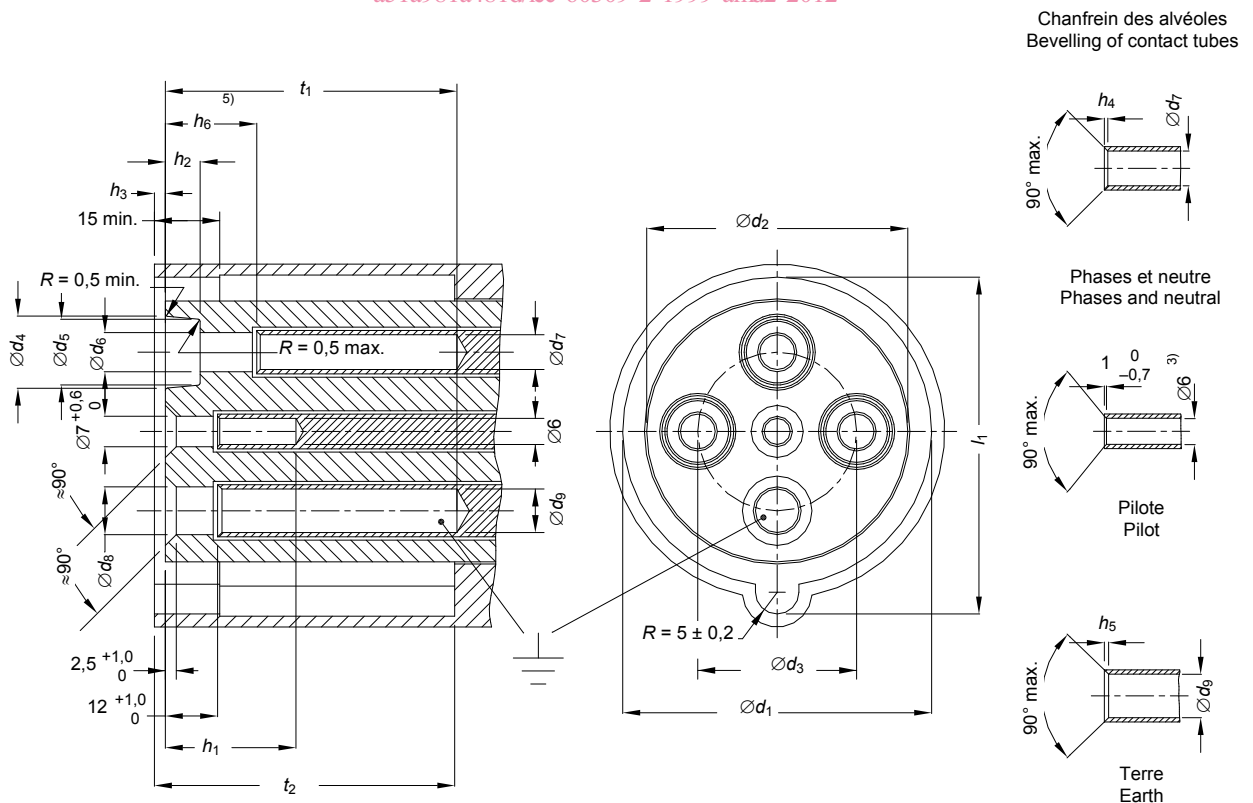


IEC 380/12

iTeh STANDARD PREVIEW
(standards.iteh.ai)

Standard sheet 2-IIIa

Replace the existing drawing – introduced by amendment 1 – by the following:
<https://standards.iteh.ai/catalog/standards/sis/2cdaabb7-ab94-4439-a1c3-a51a981a481d/iec-60309-2-1999-amd2-2012>



Standard sheet 2-IVa

Replace the first two drawings – introduced by amendment 1 – by the following:

