

INTERNATIONAL  
STANDARD

**ISO**  
**11001-3**

First edition  
1993-10-01

---

---

**Agricultural wheeled tractors and  
implements — Three-point hitch  
couplers —**

**Part 3:**  
**Link coupler**

<https://standards.iteh.ai/catalog/standards/iso/5785/41-120-1316891e-150136057/iso-11001-3-1993>

*Tracteurs agricoles à roues et instruments — Coupleurs rapides trois points —*

*Partie 3: Coupleur à rotules*



Reference number  
ISO 11001-3:1993(E)

## Foreword

ISO (the International Organization for Standardization) is a worldwide federation of national standards bodies (ISO member bodies). The work of preparing International Standards is normally carried out through ISO technical committees. Each member body interested in a subject for which a technical committee has been established has the right to be represented on that committee. International organizations, governmental and non-governmental, in liaison with ISO, also take part in the work. ISO collaborates closely with the International Electrotechnical Commission (IEC) on all matters of electrotechnical standardization.

Draft International Standards adopted by the technical committees are circulated to the member bodies for voting. Publication as an International Standard requires approval by at least 75 % of the member bodies casting a vote.

International Standard ISO 11001-3 was prepared by Technical Committee ISO/TC 23, *Tractors and machinery for agriculture and forestry*, Subcommittee SC 4, *Tractors*.

ISO 11001 consists of the following parts, under the general title *Agricultural wheeled tractors and implements — Three-point hitch couplers*:

- Part 1: *U-frame coupler*
- Part 2: *A-frame coupler*
- Part 3: *Link coupler*
- Part 4: *Bar coupler*

© ISO 1993

All rights reserved. No part of this publication may be reproduced or utilized in any form or by any means, electronic or mechanical, including photocopying and microfilm, without permission in writing from the publisher.

International Organization for Standardization  
Case Postale 56 • CH-1211 Genève 20 • Switzerland

Printed in Switzerland

# Agricultural wheeled tractors and implements — Three-point hitch couplers —

## Part 3: Link coupler

### 1 Scope

This part of ISO 11001 specifies the essential dimensions for the attachment of three-point hitch implements to agricultural wheeled tractors equipped with a three-point free link hitch according to ISO 730-1 or ISO 8759-2, and a set of link couplers.

NOTE 1 In general the dimensions associated with the tractor and the implement for use with hitch couplers are the same as those for the three-point linkage specified in ISO 730-1 or ISO 8759-2, and those for the clearance zone specified in ISO 2332.

The three-point hitch coupler systems constitute a special method of implement mounting. The hitch couplers are an additional component located between the three-point linkage and the implement making it possible to hitch and unhitch from the operator's seat.

This part of ISO 11001 applies to categories 1, 2 and 3 of agricultural wheeled tractors as defined in ISO 730-1.

### 2 Normative references

The following standards contain provisions which, through reference in this text, constitute provisions of this part of ISO 11001. At the time of publication, the editions indicated were valid. All standards are subject to revision, and parties to agreements based

on this part of ISO 11001 are encouraged to investigate the possibility of applying the most recent editions of the standards indicated below. Members of IEC and ISO maintain registers of currently valid International Standards.

ISO 286-2:1988, *ISO system of limits and fits — Part 2: Tables of standard tolerance grades and limit deviations for holes and shafts.*

ISO 730-1:1990, *Agricultural wheeled tractors — Rear-mounted three-point linkage — Part 1: Categories 1, 2 and 3.*

ISO 2332:1983, *Agricultural tractors and machinery — Connections — Clearance zone for the three-point linkage of implements.*

ISO 8759-2:1985, *Agricultural wheeled tractors — Front-mounted linkage and power take-off — Part 2: Front linkage.*

### 3 Principle of link coupler

A link coupler system is a two-phase implement coupler where the three-point linkage of the tractor is fitted with devices (e.g. hooks) which are able to connect to an implement provided with two balls on the lower hitch attachments and one ball on the upper hitch attachment. Hitching and unhitching can be operated from the tractor operator's seat.

## 4 Dimensions and clearance zone

### 4.1 Dimensions associated with the tractor

Dimensions associated with the tractor shall comply with figure 1 and table 1. For the three-point linkage clearances, see ISO 2332.

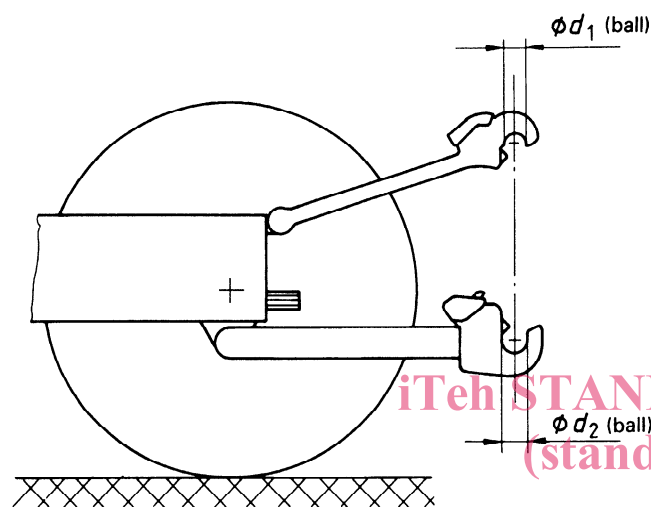


Figure 1 — Dimensions associated with tractor

Table 1 — Dimensions associated with tractor

Dimensions in millimetres

Category	$d_1$ A12 <sup>1)</sup>	$d_2$ A12 <sup>1)</sup>
1	38	44
2	50	56
3	60	64

1) See ISO 286-2.

### 4.2 Dimensions associated with implement

Dimensions associated with the implement shall comply with figure 2 and table 2. For the three-point linkage clearance, see ISO 2332.

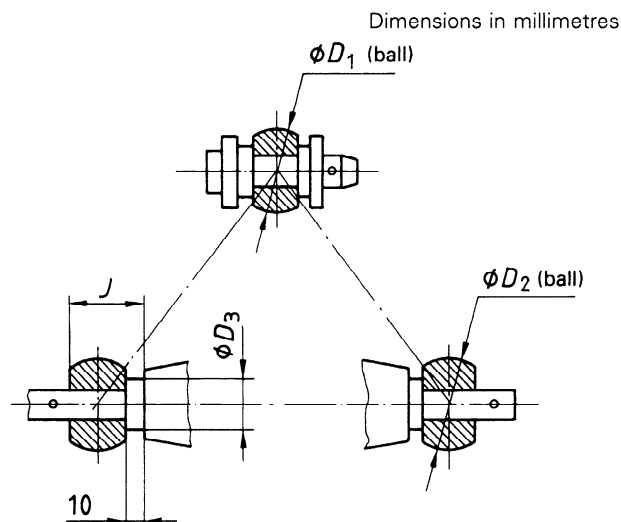


Figure 2 — Dimensions associated with implement

Table 2 — Dimensions associated with implement

Dimensions in millimetres

Category	$D_1$ e11 <sup>1)</sup>	$D_2$ e11 <sup>1)</sup>	$D_3$	$J$
1	38	44	28	See ISO 730-1
2	50	56	35	
3	60	64	45	

1) See ISO 286-2.

## 5 Locking device

A positive latch shall be provided at upper and lower hitch points to prevent an unintentional separation of the implement.

**iTeh STANDARD PREVIEW**  
**(standards.iteh.ai)**

This page intentionally left blank

[ISO 11001-3:1993](#)

<https://standards.iteh.ai/catalog/standards/sist/53e9543d-c42e-431f-891e-cfd50136057f/iso-11001-3-1993>

**iTeh STANDARD PREVIEW**  
**(standards.iteh.ai)**

This page intentionally left blank

[ISO 11001-3:1993](#)

<https://standards.iteh.ai/catalog/standards/sist/53e9543d-c42e-431f-891e-cfd50136057f/iso-11001-3-1993>

**iTeh STANDARD PREVIEW**  
**(standards.iteh.ai)**

This page intentionally left blank

[ISO 11001-3:1993](#)

<https://standards.iteh.ai/catalog/standards/sist/53e9543d-c42e-431f-891e-cfd50136057f/iso-11001-3-1993>

**iTeh STANDARD PREVIEW**  
**(standards.iteh.ai)**

ISO 11001-3:1993

<https://standards.iteh.ai/catalog/standards/sist/53e9543d-c42e-431f-891e-cfd50136057f/iso-11001-3-1993>

---

---

**UDC 631.372:621.838.2**

**Descriptors:** agricultural machinery, tractors, agricultural tractors, couplings, rigid couplings, specifications, dimensions.

Price based on 2 pages

---

---