



SLOVENSKI STANDARD
SIST ISO 11001-4:1995
01-september-1995

Snežna glodalka - Varnostne zahteve in postopek preskušanja

Agricultural wheeled tractors and implements -- Three-point hitch couplers -- Part 4: Bar coupler

Tracteurs agricoles à roues et instruments -- Coupleurs rapides trois points -- Partie 4: Coupleur par barre

STANDARD PREVIEW
(standards.iteh.ai)

Ta slovenski standard je istoveten z: **ISO 11001-4:1994**
<https://standards.iteh.ai/catalog/standards/sist/1d2766c6-c172-4f37-a1f2-1b3c686283bc/sist-iso-11001-4-1995>

ICS:

65.060.01	Kmetijski stroji in oprema na splošno	Agricultural machines and equipment in general
-----------	---------------------------------------	------------------------------------------------

SIST ISO 11001-4:1995

en

iTeh STANDARD PREVIEW
(standards.iteh.ai)

[SIST ISO 11001-4:1995](#)

<https://standards.iteh.ai/catalog/standards/sist/1d2766e6-c172-4b7-a1f2-1b3c686283bc/sist-iso-11001-4-1995>

INTERNATIONAL
STANDARD

ISO
11001-4

First edition
1994-12-01

**Agricultural wheeled tractors and
implements — Three-point hitch
couplers —**

Part 4:
(Bar coupler)

[SIST ISO 11001-4:1995](https://standards.iteh.ai/catalog/standards/sist/11001-4-1995)

<https://standards.iteh.ai/catalog/standards/sist/11001-4-1995> Tracteurs agricoles à roues et instruments — Coupleurs rapides trois points

Partie 4: Coupleur par barre



Reference number
ISO 11001-4:1994(E)

ISO 11001-4:1994(E)**Foreword**

ISO (the International Organization for Standardization) is a worldwide federation of national standards bodies (ISO member bodies). The work of preparing International Standards is normally carried out through ISO technical committees. Each member body interested in a subject for which a technical committee has been established has the right to be represented on that committee. International organizations, governmental and non-governmental, in liaison with ISO, also take part in the work. ISO collaborates closely with the International Electrotechnical Commission (IEC) on all matters of electrotechnical standardization.

Draft International Standards adopted by the technical committees are circulated to the member bodies for voting. Publication as an International Standard requires approval by at least 75 % of the member bodies casting a vote.

International Standard ISO 11001-4 was prepared by Technical Committee ISO/TC 23, *Tractors and machinery for agriculture and forestry*, Subcommittee SC 4, *Tractors*.

ISO 11001 consists of the following parts, under the general title *Agricultural wheeled tractors and implements — Three-point hitch couplers*:

- Part 1: *U-frame coupler*
- Part 2: *A-frame coupler*
- Part 3: *Link coupler*
- Part 4: *Bar coupler*

© ISO 1994

All rights reserved. Unless otherwise specified, no part of this publication may be reproduced or utilized in any form or by any means, electronic or mechanical, including photocopying and microfilm, without permission in writing from the publisher.

International Organization for Standardization
Case Postale 56 • CH-1211 Genève 20 • Switzerland

Printed in Switzerland

Agricultural wheeled tractors and implements — Three-point hitch couplers —

Part 4: Bar coupler

1 Scope

This part of ISO 11001 specifies the essential dimensions for the attachment of three-point hitch implements to the rear of agricultural wheeled tractors equipped with a three-point free link hitch according to ISO 730-1 and a bar coupler.

NOTE 1 In general, the dimensions associated with the tractor and the implement for use with hitch couplers are the same as for the three-point linkage specified in ISO 730-1. Due to the special construction and function of the bar coupler it infringes on the clearance zone specified in ISO 2332.

The three-point hitch coupler systems constitute a special way of implement mounting. The hitch couplers are an additional component located between the three-point linkage and the implement making it possible to hitch and unhitch from the operator's seat.

This part of ISO 11001 applies to categories 2 and 3 of agricultural wheeled tractors as defined in ISO 730-1.

2 Normative references

The following standards contain provisions which, through reference in this text, constitute provisions of this part of ISO 11001. At the time of publication, the editions indicated were valid. All standards are subject to revision, and parties to agreements based on this part of ISO 11001 are encouraged to investi-

gate the possibility of applying the most recent editions of the standards indicated below. Members of IEC and ISO maintain registers of currently valid International Standards.

ISO 730-1:—¹⁾, *Agricultural wheeled tractors — Rear-mounted three-point linkage — Part 1: Categories 1, 2, 3 and 4.*

ISO 2332:1993, *Agricultural tractors and machinery — Connection of implements via three-point linkage — Clearance zone around implement.*

3 Principle of bar coupler

A bar coupler system is a two-phase implement coupler where the three-point linkage of the tractor is fitted with a crossbar between the lower hitch points, and the implement has the provision to be picked up by the bar (see figure 1).

4 Dimensions

Dimensions shall comply with figures 2 and 3, and table 1. For the three-point linkage clearances, see ISO 2332.

5 Locking device

A locking device with a positive latch shall be provided to prevent unintentional separation of the implement (see figure 1).

1) To be published. (Revision and combination of ISO 730-1:1990 and ISO 730-3:1982)

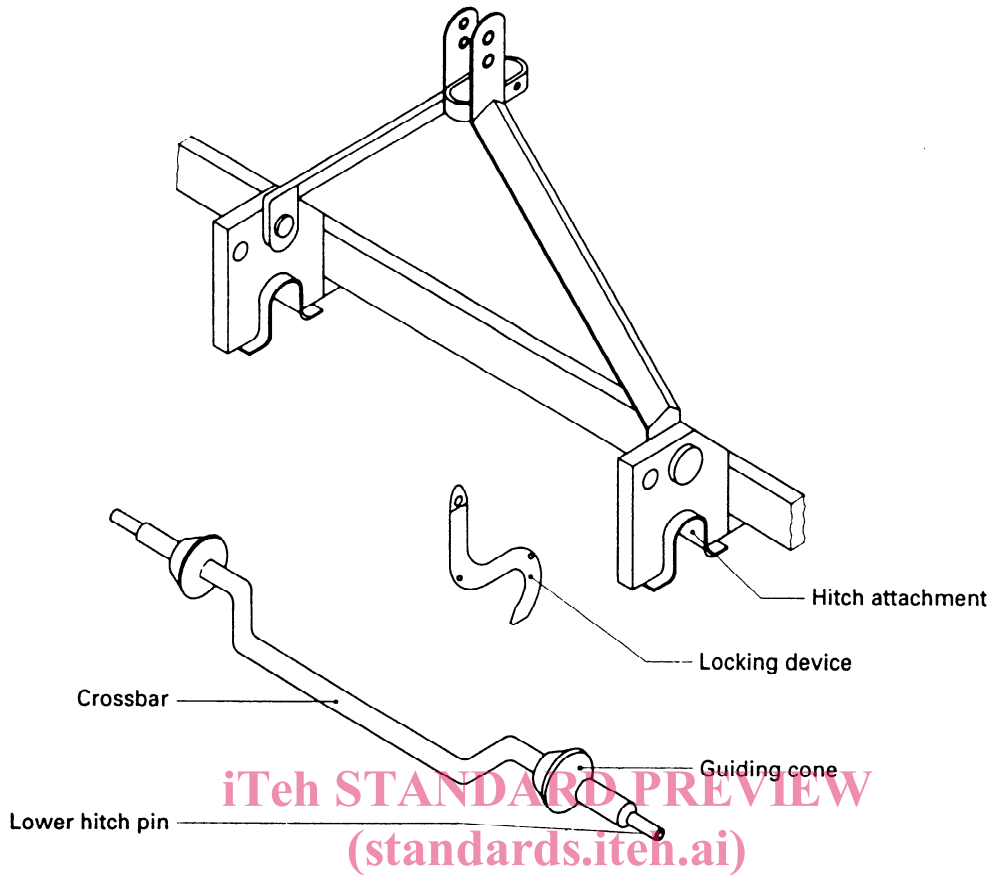


Figure 1 — Principle of bar coupler

SIST ISO 11001-4:1995

<https://standards.iteh.ai/catalog/standards/sist/1d2766e6-c172-4f37-a1f2-1b3c686283bc/sist-iso-11001-4-1995>

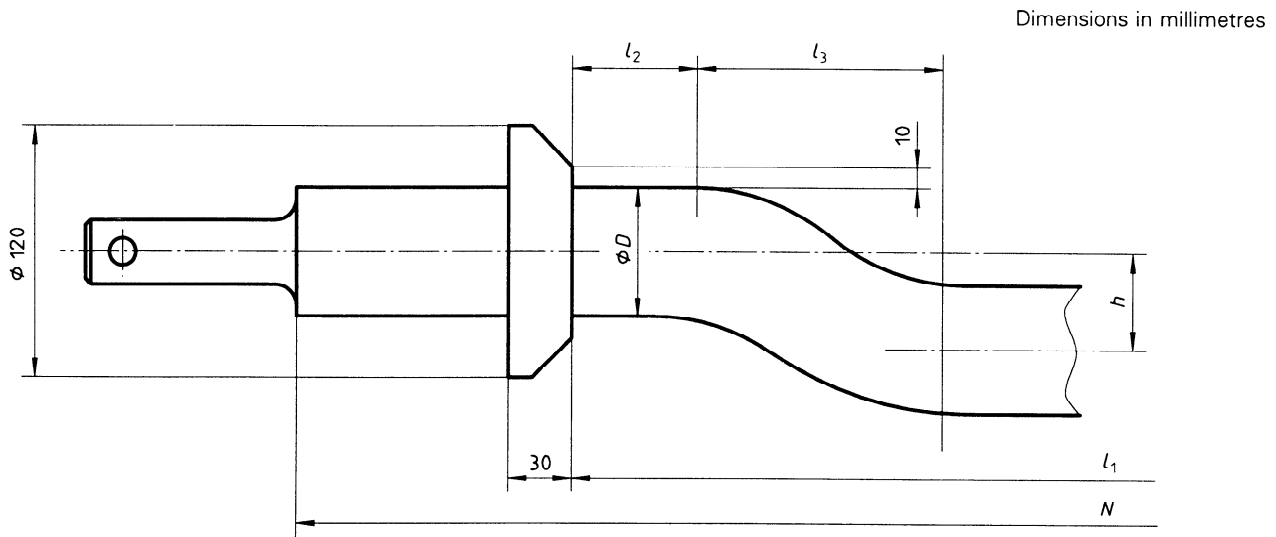


Figure 2 — Crossbar dimensions

Dimensions in millimetres

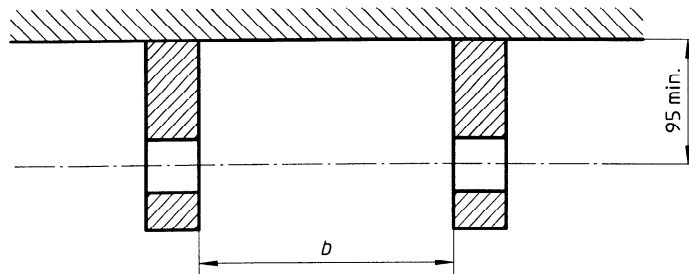


Figure 3 — Hitch attachment dimensions for implement

Table 1 — Crossbar dimensions

Dimensions in millimetres

Category	$N^{1)}$	l_1 $+2$ 0	l_2	h	D ± 1	l_3 $+5$ 0	b min.
2	$825 \pm 1,5$	585	60	45	50	255	475
3	$965 \pm 1,5$	700	60	45	60	370	590

1) according to ISO 730-1.

iTeH STANDARD PREVIEW

(standards.iteh.ai)

SIST ISO 11001-4:1995

<https://standards.iteh.ai/catalog/standards/sist/1d2766e6-c172-4f37-a1f2-1b3c686283bc/sist-iso-11001-4-1995>