



SLOVENSKI STANDARD SIST EN 300 175-3 V1.9.1:2006

01-marec-2006

8 [[]HJbY]nVc`ýUbYVfYnj fj] bYhY_Y_ca i b]_UWYfB97HLÈG_i db]j a Ygb]_f7 ÷È
' "XY. 'D`Ugh_fa]^b^UXcghcdUXc`dfYbcgbY[Ua YX]UfA57Ł

Digital Enhanced Cordless Telecommunications (DECT); Common Interface (CI); Part 3:
Medium Access Control (MAC) layer

iTeh STANDARD PREVIEW (standards.iteh.ai)

[SIST EN 300 175-3 V1.9.1:2006](https://standards.iteh.ai/catalog/standards/sist/56f61949-f9c2-4aeb-a94a-800d1aa5858e/sist-en-300-175-3-v1-9-1-2006)

[https://standards.iteh.ai/catalog/standards/sist/56f61949-f9c2-4aeb-a94a-](https://standards.iteh.ai/catalog/standards/sist/56f61949-f9c2-4aeb-a94a-800d1aa5858e/sist-en-300-175-3-v1-9-1-2006)

[800d1aa5858e/sist-en-300-175-3-v1-9-1-2006](https://standards.iteh.ai/catalog/standards/sist/56f61949-f9c2-4aeb-a94a-800d1aa5858e/sist-en-300-175-3-v1-9-1-2006)

Ta slovenski standard je istoveten z: EN 300 175-3 Version 1.9.1

ICS:

33.070.30 Öã äæ) ^/ã à[|zæ) ^ Digital Enhanced Cordless
à!^: ç|çã} ^/ã ^\ [{ ~ } ä æã Telecommunications (DECT)
ÇÖÓVD

SIST EN 300 175-3 V1.9.1:2006 en

iTeh STANDARD PREVIEW
(standards.iteh.ai)

SIST EN 300 175-3 V1.9.1:2006

<https://standards.iteh.ai/catalog/standards/sist/56f61949-f9c2-4aeb-a94a-800d1aa5858e/sist-en-300-175-3-v1-9-1-2006>

ETSI EN 300 175-3 V1.9.1 (2005-09)

European Standard (Telecommunications series)

Digital Enhanced Cordless Telecommunications (DECT); Common Interface (CI); Part 3: Medium Access Control (MAC) layer

iTeh STANDARD PREVIEW
(standards.iteh.ai)

[SIST EN 300 175-3 V1.9.1:2006](https://standards.iteh.ai/catalog/standards/sist/56f61949-f9c2-4aeb-a94a-800d1aa5858e/sist-en-300-175-3-v1-9-1-2006)

<https://standards.iteh.ai/catalog/standards/sist/56f61949-f9c2-4aeb-a94a-800d1aa5858e/sist-en-300-175-3-v1-9-1-2006>



Reference

REN/DECT-000228-3

Keywords

DECT, MAC, radio**ETSI**

650 Route des Lucioles
F-06921 Sophia Antipolis Cedex - FRANCE

Tel.: +33 4 92 94 42 00 Fax: +33 4 93 65 47 16

Siret N° 348 623 562 00017 - NAF 742 C
Association à but non lucratif enregistrée à la
Sous-Préfecture de Grasse (06) N° 7803/88

iTeh STANDARD PREVIEW
(standards.iteh.ai)

SIST EN 300 175-3 V1.9.1:2006<https://standards.iteh.ai/catalog/standards/sist/56f61949-f9c2-4aeb-a94a-800d1aa5854c/sist-en-300-175-3-v1-9-1-2006>**Important notice**

Individual copies of the present document can be downloaded from:

<http://www.etsi.org>

The present document may be made available in more than one electronic version or in print. In any case of existing or perceived difference in contents between such versions, the reference version is the Portable Document Format (PDF). In case of dispute, the reference shall be the printing on ETSI printers of the PDF version kept on a specific network drive within ETSI Secretariat.

Users of the present document should be aware that the document may be subject to revision or change of status. Information on the current status of this and other ETSI documents is available at

<http://portal.etsi.org/tb/status/status.asp>

If you find errors in the present document, please send your comment to one of the following services:

http://portal.etsi.org/chaicor/ETSI_support.asp

Copyright Notification

No part may be reproduced except as authorized by written permission.
The copyright and the foregoing restriction extend to reproduction in all media.

© European Telecommunications Standards Institute 2005.
All rights reserved.

DECT™, **PLUGTESTS™** and **UMTS™** are Trade Marks of ETSI registered for the benefit of its Members.
TIPHON™ and the **TIPHON logo** are Trade Marks currently being registered by ETSI for the benefit of its Members.
3GPP™ is a Trade Mark of ETSI registered for the benefit of its Members and of the 3GPP Organizational Partners.

Contents

Intellectual Property Rights	12
Foreword.....	12
1 Scope	13
2 References	13
3 Definitions, symbols and abbreviations	14
3.1 Definitions	14
3.2 Symbols.....	14
3.3 Abbreviations	14
4 Description of the MAC layer	16
4.1 MAC layer reference model	16
4.1.1 General.....	17
4.1.2 Cluster Control Function (CCF)	17
4.1.3 Cell Site Functions (CSF).....	17
4.1.4 Relationship to physical layer elements.....	17
4.2 Frame and multiframe structures.....	18
4.2.1 General.....	18
4.2.2 Frame structure	18
4.2.3 Multiframe structure	19
4.3 State definitions.....	20
4.3.1 PP states	20
4.3.2 RFP states	21
5 Overview of MAC layer services.....	22
5.1 General	22
5.1.1 Broadcast Message Control (BMC)	22
5.1.2 Connectionless Message Control (CMC)	22
5.1.3 Multi-Bearer Control	22
5.2 Service descriptions.....	22
5.2.1 Common functions.....	22
5.2.2 BMC service	23
5.2.3 CMC service	23
5.2.4 MBC services.....	23
5.3 Logical channels.....	24
5.3.1 MBC connection endpoints (MC-SAP logical channels)	24
5.3.1.1 The higher layer C-plane channels, C	24
5.3.1.2 The higher layer U-Plane channels, I	24
5.3.1.3 The higher layer U-Plane control channel, G _F	25
5.3.2 CMC endpoints (MB-SAP logical channels).....	25
5.3.2.1 The connectionless C-Plane channels, CL	25
5.3.2.2 The connectionless U-Plane channels, SI _N and SI _P	25
5.3.3 BMC endpoint (MA-SAP logical channel).....	25
5.3.3.1 The slow broadcast channel, B _S	25
5.3.4 Internal MAC control channels.....	26
5.3.4.1 The system information channel, Q	26
5.3.4.2 Identities channel, N.....	26
5.3.4.3 The MAC control channel, M	26
5.3.4.4 MAC paging channel, P	26
5.4 SAP definitions	27
5.4.1 MA SAP	27
5.4.2 MB SAP.....	27
5.4.3 MC SAP.....	27
5.4.4 ME SAP.....	28
5.4.5 Order of transmission.....	28
5.5 Bearers.....	28

5.5.1	Bearer types	28
5.5.2	Bearer operation.....	29
5.6	Connection oriented services.....	29
5.6.1	Connection types	29
5.6.1.1	Basic connections.....	30
5.6.1.2	Advanced connections	30
5.6.1.3	Connection identifiers	30
5.6.1.4	Complementary connections	30
5.6.2	Symmetric and asymmetric connections.....	31
5.6.2.1	Symmetric connections	31
5.6.2.2	Asymmetric connections	34
5.7	Broadcast and connectionless services	39
5.7.1	The broadcast services	40
5.7.1.1	The continuous broadcast service	40
5.7.1.2	The non-continuous broadcast service	40
5.7.2	The connectionless services	41
5.7.2.1	Connectionless downlink services	41
5.7.2.2	Connectionless uplink services	41
6	Multiplexing	42
6.1	CCF multiplexing functions	42
6.2	CSF multiplexing functions.....	42
6.2.1	Bit Mappings (MAP)	47
6.2.1.1	D-field mapping (D-MAP).....	47
6.2.1.1.1	D-field mapping for the double slot structure (physical packet P80)	48
6.2.1.1.2	D-field mapping for the full slot structure (physical packet P32).....	48
6.2.1.1.3	D-field mapping for the short slot structure (physical packet P00).....	49
6.2.1.1.4	D-field mapping for the half slot structure (physical packet P08j).....	49
6.2.1.2	A-field Mapping (A-MAP)	50
6.2.1.3	B-field Mapping (B-MAP)	51
6.2.1.3.1	Unprotected format.....	51
6.2.1.3.2	Encoded protected format.....	52
6.2.1.3.3	Multisubfield protected format.....	52
6.2.1.3.4	Singlesubfield protected format.....	54
6.2.2	Time multiplexers	54
6.2.2.1	Tail MULTipleXer (T-MUX).....	55
6.2.2.1.1	T-MUX algorithm for RFP transmissions	55
6.2.2.1.2	T-MUX algorithm for PT transmissions.....	56
6.2.2.2	B-field control multiplexer (E/U-MUX)	57
6.2.2.3	B-field mode multiplexer (C-MUX)	58
6.2.2.3.1	Double slot full slot, D16 and D24 half slot modes.....	58
6.2.2.3.2	Half slot modes for 2-level modulation	70
6.2.3	Encryption.....	70
6.2.4	Scrambling	71
6.2.5	Error control.....	72
6.2.5.1	R-CRC overview	73
6.2.5.2	R-CRC generation and checking.....	73
6.2.5.3	X-CRC overview.....	74
6.2.5.4	X-CRC generation and checking.....	74
6.2.5.5	B-CRC generation and checking.....	76
6.2.6	Broadcast controller	76
7	Medium access layer messages	77
7.1	Header field	77
7.1.1	Overview/formatting.....	77
7.1.2	Tail identification, TA, bits a_0 to a_2	77
7.1.3	The "Q1/BCK" bit, bit a_3	78
7.1.4	B-field identification, BA, bits a_4 to a_6	78
7.1.5	The "Q2" bit, bit a_7	79
7.2	Messages in the tail field.....	79
7.2.1	Overview	79
7.2.2	Identities information (N_T).....	79

7.2.3	System information and multiframe marker (Q_T)	80
7.2.3.1	General	80
7.2.3.2	Static system information	81
7.2.3.2.1	General, $Q_H = 0, 1$ (hex)	81
7.2.3.2.2	Q_H and Normal-Reverse (NR)	81
7.2.3.2.3	Slot Number (SN)	81
7.2.3.2.4	Start Position (SP)	82
7.2.3.2.5	ESCAPE bit (ESC)	82
7.2.3.2.6	Number of transceivers	82
7.2.3.2.7	Extended RF carrier information available (M_c)	82
7.2.3.2.8	RF carriers available (RF-cars)	83
7.2.3.2.9	Spare bits (SPR)	83
7.2.3.2.10	Carrier number	83
7.2.3.2.11	Spare bits (SPR)	83
7.2.3.2.12	Primary receiver Scan Carrier Number (PSCN)	84
7.2.3.3	Extended RF carrier information part 1	84
7.2.3.3.1	General, $Q_H = 2$ (hex)	84
7.2.3.3.2	Further RF carrier extensions	85
7.2.3.3.3	Number of RF carriers	85
7.2.3.4	Fixed part capabilities	85
7.2.3.4.1	General, $Q_H = 3$ (hex)	85
7.2.3.4.2	Standard capabilities	85
7.2.3.5	Extended fixed part capabilities	86
7.2.3.5.1	General, $Q_H = 4$ (hex)	86
7.2.3.5.2	Extended Physical and MAC layer capabilities	87
7.2.3.5.3	Extended higher layer capabilities	88
7.2.3.6	Secondary access rights identities	88
7.2.3.6.1	General, $Q_H = 5$ (hex)	88
7.2.3.6.2	SARI message	88
7.2.3.7	Multiframe number	88
7.2.3.7.1	General, $Q_H = 6$ (hex)	88
7.2.3.7.2	Multiframe number	88
7.2.3.8	Escape	89
7.2.3.8.1	General, $Q_H = 7$ (hex)	89
7.2.3.8.2	Escape information	89
7.2.3.9	Extended RF carrier information part 2	89
7.2.3.9.1	General, $Q_H = 9$ (hex)	89
7.2.3.10	Transmit information	89
7.2.4	Paging Tail (P_T)	90
7.2.4.1	General format	90
7.2.4.1.1	P_T format for full and long page messages	90
7.2.4.1.2	P_T format for short page messages	90
7.2.4.1.3	P_T format for zero length page messages	91
7.2.4.1.4	P_T format for MAC_resume page message	91
7.2.4.2	P_T header format	91
7.2.4.2.1	General format	91
7.2.4.2.2	Bit a_8 is the extend flag	91
7.2.4.2.3	B_S SDU length indication	91
7.2.4.3	MAC layer information for PT	92
7.2.4.3.1	Information type	92
7.2.4.3.2	Fill bits	92
7.2.4.3.3	Blind full slot information	92
7.2.4.3.4	Bearer description	93
7.2.4.3.5	Escape	93
7.2.4.3.6	Dummy or connectionless downlink bearer marker	93
7.2.4.3.7	Bearer handover/replacement information	94
7.2.4.3.8	RFP status and modulation types	94
7.2.4.3.9	Active carriers	96
7.2.4.3.10	RFP power level	96
7.2.4.3.11	Blind double slot/RFP-FP interface resource information	97
7.2.4.3.12	Extended modulation types	97
7.2.5	MAC control (M_T)	98

7.2.5.1	General format and contents	98
7.2.5.2	Basic connection control	98
7.2.5.2.1	General	98
7.2.5.2.2	Format for most messages	98
7.2.5.2.3	WAIT	99
7.2.5.2.4	ATTRIBUTES_T_{Req;Cfm}	99
7.2.5.3	Advanced connection control	100
7.2.5.3.1	General	100
7.2.5.3.2	ACCESS_REQUEST	100
7.2.5.3.3	BEARER_HANDOVER_REQUEST	100
7.2.5.3.4	CONNECTION_HANDOVER_REQUEST	100
7.2.5.3.5	UNCONFIRMED_ACCESS_REQUEST	101
7.2.5.3.6	BEARER_CONFIRM	101
7.2.5.3.7	WAIT	101
7.2.5.3.8	ATTRIBUTES_T_{Req;Cfm}	101
7.2.5.3.9	BANDWIDTH_T_{Req;Cfm}	103
7.2.5.3.10	Channel_list	104
7.2.5.3.11	Unconfirmed_dummy	104
7.2.5.3.12	Unconfirmed_handover	104
7.2.5.3.13	RELEASE	105
7.2.5.4	MAC layer test messages	105
7.2.5.4.1	Basic format	105
7.2.5.4.2	FORCE_TRANSMIT	106
7.2.5.4.3	LOOPBACK_DATA	106
7.2.5.4.4	DEFEAT_ANTENNA_DIVERSITY	107
7.2.5.4.5	ESCAPE	107
7.2.5.4.6	NETWORK_TEST	107
7.2.5.4.7	CLEAR_TEST_MODES	108
7.2.5.4.8	CHANGE_MODULATION_SCHEME	108
7.2.5.5	Quality control	109
7.2.5.5.1	Prolonged preamble diversity	110
7.2.5.6	Broadcast and connectionless services	110
7.2.5.7	Encryption control	111
7.2.5.8	B-field setup, first PT transmission	112
7.2.5.9	Escape	112
7.2.5.10	TARI message	112
7.2.5.11	REP connection control	112
7.2.5.11.1	General	112
7.2.5.11.2	Format for most messages	112
7.2.5.11.3	REP CHANNEL MAP REQUEST	113
7.2.5.11.4	REP CHANNEL MAP CONFIRM	113
7.3	Messages in the B-field	113
7.3.1	Overview	113
7.3.2	Advanced connection control	114
7.3.2.1	General format	114
7.3.2.2	BEARER_REQUEST	115
7.3.2.3	BEARER_CONFIRM	115
7.3.2.4	WAIT	116
7.3.2.5	ATTRIBUTES_B_{Req;Cfm}	116
7.3.2.6	BANDWIDTH_B_{Req;Cfm}	117
7.3.2.7	CHANNEL_LIST	118
7.3.2.8	UNCONFIRMED_DUMMY	118
7.3.2.9	UNCONFIRMED_HANDOVER	118
7.3.2.10	RELEASE	118
7.3.3	Null	119
7.3.4	Quality control	120
7.3.4.1	General format	120
7.3.4.2	Bearer and connection control	120
7.3.4.3	RESET	122
7.3.4.4	Bearer quality in an asymmetric connection	122
7.3.5	Extended system information	123
7.3.5.1	General format	123

7.3.5.2	TARI messages	123
7.3.6	G _F channel data packet.....	123
7.3.7	Escape.....	124
8	Medium access layer primitives	124
8.1	Connection oriented service primitives	125
8.1.1	Connection setup: MAC_CON {req;ind;cfm}.....	125
8.1.2	Connection modification: MAC_MOD {req;ind;cfm}	126
8.1.3	CO data transmit ready: MAC_CO_DTR {ind}.....	127
8.1.4	CO data transfer: MAC_CO_DATA {req;ind}	128
8.1.5	Restart DLC: MAC_RES_DLC {ind}.....	128
8.1.6	Connection release: MAC_DIS {req;ind}	128
8.1.7	MAC bandwidth: MAC_BW {ind;res}	129
8.1.8	Encryption.....	129
8.1.8.1	Load encryption key: MAC_ENC_KEY {req}.....	129
8.1.8.2	Enable/disable encryption: MAC_ENC_EKS {req;ind;cfm}	129
8.1.9	C-plane switching procedure	130
8.1.9.1	C-plane switching procedure: MAC_C _S _C _F {req, cfm, ind, res}.....	130
8.1.9.2	C-plane switching procedure: MAC_C _S C _F _END {ind}	130
8.2	Connectionless and broadcast service primitives	131
8.2.1	Paging: MAC_PAGE {req;ind}.....	131
8.2.2	Downlink connectionless: MAC_DOWN_CON {req;ind}	131
8.2.3	Uplink connectionless: MAC_UP_CON {req;ind;cfm}	132
8.3	Management primitives	132
8.3.1	Connection control.....	132
8.3.1.1	Connection setup: MAC_ME_CON {ind}.....	132
8.3.1.2	Connection setup allowed: MAC_ME_CON_ALL {req}	132
8.3.1.3	Bearer release: MAC_ME_REL {req}.....	132
8.3.1.4	MBC release report: MAC_ME_REL_REP {ind}	133
8.3.2	System information and identities	133
8.3.2.1	FP information preloading: MAC_ME_RFP_PRELOAD {req}	133
8.3.2.2	PT information preloading: MAC_ME_PT_PRELOAD {req}	133
8.3.2.3	System information output: MAC_ME_INFO {ind;res}.....	133
8.3.2.4	Extended system info: MAC_ME_EXT {req;ind;res;cfm}	133
8.3.3	Channel map: MAC_ME_CHANMAP {ind;res}.....	133
8.3.4	Status reports: MAC_ME_STATUS {req;ind;res;cfm}	134
8.3.5	Error reports: MAC_ME_ERROR {ind;res}.....	134
8.4	Flow control	134
8.4.1	MA SAP flow control	134
8.4.2	MB SAP flow control	134
8.4.3	MC SAP flow control	134
9	Broadcast and connectionless procedures	136
9.1	Downlink broadcast and connectionless procedures	136
9.1.1	Downlink broadcast procedure	136
9.1.1.1	Broadcast information.....	136
9.1.1.2	Channel selection for downlink broadcast services.....	137
9.1.1.3	Downlink broadcast procedure description.....	138
9.1.2	Downlink connectionless procedure	138
9.1.2.1	Channel selection at the RFP	138
9.1.2.2	Downlink connectionless procedure description.....	139
9.1.3	Paging broadcast procedure	139
9.1.3.1	RFP paging broadcasts.....	139
9.1.3.2	PP paging procedures	141
9.1.3.2.1	PP paging detection	141
9.1.3.2.2	PP paging processing.....	142
9.2	Uplink connectionless procedures.....	142
9.2.1	General.....	142
9.2.2	Bearer selection for the connectionless uplink.....	142
9.2.3	Procedure for the connectionless uplink	143
9.2.3.1	Predicates	143
9.2.3.2	PT D-field construction.....	143

9.2.3.3	PT transmission sequence	143
9.2.3.4	FT procedure	144
9.3	Non-continuous broadcast procedure	144
9.3.1	Request for specific Q channel information.....	144
9.3.1.1	A-field procedure	144
9.3.1.2	B-field procedure	145
9.3.2	Request for a new dummy bearer	145
10	Connection oriented service procedures.....	146
10.1	Overview	146
10.2	C/O connection setup	146
10.2.1	General.....	146
10.2.2	Initiation of a basic and a normal connection setup.....	147
10.2.3	Initiation of a fast connection setup	147
10.2.4	Connection setup procedure description	147
10.2.4.1	Creation of MBCs	147
10.2.4.2	Establishment of a single bearer duplex connection of a known service type	149
10.2.4.3	Establishment of multi-bearer connections and connections needing service negotiation.....	150
10.2.4.3.1	Symmetric connection	152
10.2.4.3.2	Asymmetric uplink connection.....	152
10.2.4.3.3	Asymmetric downlink connection.....	152
10.2.4.3.4	Connection established.....	153
10.3	C/O connection modification	153
10.3.1	Advanced connection: bandwidth modification.....	153
10.3.1.1	Suspend and resume	155
10.3.1.2	MAC resume paging	155
10.3.2	Advanced connection: service type or slot type modification.....	155
10.3.3	Connection type modification.....	157
10.3.4	Modulation type modification.....	159
10.3.4.1	Adaptive code rate.....	160
10.4	C/O connection release.....	160
10.4.1	General.....	160
10.4.2	Procedure description.....	161
10.5	C/O bearer setup.....	161
10.5.1	Single bearer setup procedures.....	161
10.5.1.1	Basic bearer setup procedure.....	161
10.5.1.2	A-field advanced single bearer setup procedure	163
10.5.1.2.1	PT initiated	164
10.5.1.2.2	FT initiated	166
10.5.1.3	B-field single bearer setup procedure.....	167
10.5.1.3.1	PT initiated	167
10.5.1.3.2	FT initiated	169
10.5.1.4	Double simplex setup procedure	170
10.5.1.5	Complementary connection bearer setup	173
10.5.1.6	Double duplex bearer setup procedure: Mapping procedure.....	174
10.5.2	Channel list procedures.....	175
10.5.2.1	Scope.....	175
10.5.2.2	Description of the channel list messages.....	176
10.5.2.3	Usage of the channel list messages	176
10.6	C/O bearer handover	177
10.6.1	General.....	177
10.6.2	Duplex bearer handover procedure.....	178
10.6.3	Double simplex bearer handover	178
10.6.4	Bearer replacement	179
10.6.4.1	General bearer replacement.....	179
10.6.4.2	Frequency replacement	179
10.7	C/O bearer release	180
10.7.1	General.....	180
10.7.2	Bearer release procedure description	181
10.7.2.1	Unacknowledged release procedure.....	181
10.7.2.2	Acknowledged release procedure.....	181
10.7.2.3	Fast release procedure	182

10.7.2.4	REP relayed bearer release.....	182
10.8	C/O data transfer	182
10.8.1	Higher layer associated signalling (C).....	182
10.8.1.1	C _S channel data	183
10.8.1.1.1	Transmission principle	183
10.8.1.1.2	Numbering principle.....	183
10.8.1.2	C _F channel data	183
10.8.1.2.1	Transmission principle	183
10.8.1.2.2	Numbering principle.....	184
10.8.1.3	Q1 and Q2 bit settings for I _N and I _{p_error_detection} services	184
10.8.1.3.1	Q2 bit settings.....	185
10.8.1.3.2	Q1 bit settings.....	185
10.8.2	MOD-2 protected I channel operation (I _p).....	186
10.8.2.1	General.....	186
10.8.2.2	Limiting the lifetime of packets	186
10.8.2.3	A-field shall always be correct.....	186
10.8.2.4	Use of the acknowledge bits.....	187
10.8.2.4.1	Q2 and ACK bit setting for I _{p_error_correction} services	187
10.8.2.4.2	BCK bit setting.....	187
10.8.2.5	Data jump procedures	188
10.8.2.5.1	Bearer replacement.....	188
10.8.2.5.2	Unilateral jump.....	188
10.8.2.5.3	MAC I _p bearer reset.....	190
10.8.3	Higher layer unprotected information (I _N) and MAC_error_detection services (I _p).....	190
10.8.3.1	I _N minimum_delay service	190
10.8.3.2	I _N normal_delay and I _{p_error_detection} services	190
10.9	C/O procedures for FT connections with CRFP.....	191
10.9.1	Dual C/O bearer setup.....	191
10.9.2	C/O connection release of connection with CRFP.....	191
10.9.3	C/O connection suspend and resume	191
11	Medium access layer management procedures.....	192
11.1	Broadcasting.....	192
11.1.1	RFP transmission	192
11.1.2	PP reception.....	192
11.2	Extended system information.....	192
11.2.1	PP requests.....	192
11.2.2	RFP response	192
11.3	PP states and state transitions	192
11.3.1	Actions in Idle_Unlocked and Active_Unlocked states.....	192
11.3.2	Entry into the Idle_Locked state	192
11.3.3	Actions in the Idle_Locked state.....	193
11.3.3.1	Page detection in Idle_Locked state.....	193
11.3.3.2	Setup detection in Idle_Locked state.....	194
11.3.4	Idle_Locked and Active_Locked state transitions	194
11.4	Physical channel selection.....	194
11.4.1	The channel selection lists	194
11.4.2	Physical channel and RFP selection at the PP	196
11.4.3	Physical channel selection at the RFP.....	197
11.4.4	Hand over criteria due to in-connection base identification	199
11.4.5	Handover criteria due to interference.....	199
11.5	In-connection quality control	199
11.5.1	RFPI handshake	199
11.5.2	Frequency control	200
11.5.2.1	RFP measurement of frequency error	200
11.5.2.2	PT frequency correction.....	200
11.6	Maximum allowed system load at RFPs	200
11.7	PMID and FMID definitions	200
11.7.1	FMID definition.....	200
11.7.2	PMID definition.....	200
11.8	RFP idle receiver scan sequence	200
11.9	PT receiver scan sequence.....	201

11.10	Management of connections associated with Broadband data links.....	202
12	Medium access layer test message procedure	202
12.1	Introduction	202
12.2	General	202
12.2.1	Portable part testing	204
12.2.2	Fixed part testing	204
12.2.3	Applicability of test messages	204
12.3	FORCE_TRANSMIT.....	204
12.3.1	Portable part.....	204
12.3.2	Fixed part.....	205
12.4	LOOPBACK_DATA	205
12.4.1	Portable part.....	206
12.4.2	Fixed Part.....	206
12.4.2.1	IUTs implementing the DECT scrambler	206
12.4.2.2	IUTs implementing a proprietary scrambler	206
12.5	DEFEAT_ANTENNA_DIVERSITY	206
12.6	NETWORK_TEST	206
12.7	ESCAPE.....	206
12.8	CLEAR_TEST_MODES	206
12.9	CHANGE_MODULATION_SCHEME	206
Annex A (normative):	MAC layer timers and constants.....	207
A.1	Timers and Time Windows	207
A.2	Constants	207
Annex B (informative):	Construction of the CRC polynomial and error detecting performance	208
Annex C (informative):	MAC relationship to other layers.....	209
Annex D (informative):	Synchronization	210
Annex E (normative):	Scrambling patterns	211
Annex F (informative):	Seamless handover operation	212
F.1	I channel data flow for I _N _minimum_delay service	212
Annex G (normative):	Requirements for PPs with direct PP to PP communication mode.....	213
G.1	Description of operation in direct PP to PP communication mode	213
G.2	Requirements.....	213
G.2.1	Setting the PP in direct communications mode	214
G.2.2	Specific Alternative 1 requirements	214
G.2.2.1	When the PP has not initiated a call.....	214
G.2.2.2	When the PP initiates a call	214
G.2.3	Specific Alternative 2 Requirements	215
Annex H (normative):	Requirements for FPs with Wireless FT to FT (W-FT2FT) communication mode.....	216
H.1	Introduction	216
H.2	Description of operation in W-FT2FT communication mode.....	217
Annex I (normative):	Channel coding and Modulation	218
I.1	Channel coding.....	218
I.1.1	The parallel Turbo Code Principle	219
I.1.2	The FOCTC implementation	219
I.1.2.1	The FOCTC concept.....	219
I.1.2.2	The FOCTC structure and the component code.....	220

I.1.2.3	The FOCTC Inner interleaving algorithm	222
I.1.2.4	FOCTC Inner interleaving size adaptation to all Physical Packet Formats	223
I.2	Adaptive coding and Modulation Embodiment.....	225
I.2.1	Adaptive code rates	225
I.2.1.1	Adaptive code rates for the double slot structure (physical packet P80)	226
I.2.1.2	Adaptive code rates for the full slot structure (physical packet P32).....	227
I.2.1.3	Adaptive code rates for the half slot structure (physical packet P08j).....	227
I.2.2	Puncturing patterns.....	228
I.2.3	Channel Capacity for the B-field map configurations	229
I.2.3.1	Double Slot Structure.....	229
I.2.3.2	Full Slot Structure.....	230
I.2.3.3	Half Slot Structure	231
I.3	Change Modulation Scheme	231
Annex J (informative):	Channel decoding.....	232
Annex K (informative):	Bibliography.....	233
Annex L (informative):	Change history	234
History		235

iTeh STANDARD PREVIEW (standards.iteh.ai)

[SIST EN 300 175-3 V1.9.1:2006](https://standards.iteh.ai/catalog/standards/sist/56f61949-f9c2-4aeb-a94a-800d1aa5858e/sist-en-300-175-3-v1-9-1-2006)

<https://standards.iteh.ai/catalog/standards/sist/56f61949-f9c2-4aeb-a94a-800d1aa5858e/sist-en-300-175-3-v1-9-1-2006>

Intellectual Property Rights

IPRs essential or potentially essential to the present document may have been declared to ETSI. The information pertaining to these essential IPRs, if any, is publicly available for **ETSI members and non-members**, and can be found in ETSI SR 000 314: "*Intellectual Property Rights (IPRs); Essential, or potentially Essential, IPRs notified to ETSI in respect of ETSI standards*", which is available from the ETSI Secretariat. Latest updates are available on the ETSI Web server (<http://webapp.etsi.org/IPR/home.asp>).

Pursuant to the ETSI IPR Policy, no investigation, including IPR searches, has been carried out by ETSI. No guarantee can be given as to the existence of other IPRs not referenced in ETSI SR 000 314 (or the updates on the ETSI Web server) which are, or may be, or may become, essential to the present document.

Foreword

This European Standard (Telecommunications series) has been produced by ETSI Project Digital Enhanced Cordless Telecommunications (DECT).

The present document is part 3 of a multi-part deliverable. Full details of the entire series can be found in part 1 [1].

Further details of the DECT system may be found in TR 101 178 and ETR 043 (see bibliography).

National transposition dates	
Date of adoption of this EN:	26 August 2005
Date of latest announcement of this EN (doa):	30 November 2005
Date of latest publication of new National Standard or endorsement of this EN (dop/e):	31 May 2006
Date of withdrawal of any conflicting National Standard (dow):	31 May 2006

1 Scope

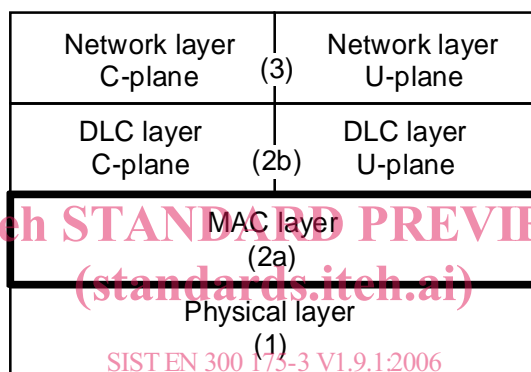
The present document gives an introduction and overview of the complete Digital Enhanced Cordless Telecommunications (DECT) Common Interface (CI).

The present document of the DECT CI specifies the Medium Access Control (MAC) layer. The MAC layer is part 3 of the DECT Common Interface standard and layer 2a of the DECT protocol stack.

It specifies three groups of MAC services:

- the broadcast message control service;
- the connectionless message control service; and
- the multi-bearer control service.

It also specifies the logical channels that are used by the above mentioned services, and how they are multiplexed and mapped into the Service Data Units (SDUs) that are exchanged with the Physical Layer (PHL).



<https://standards.itech.ai/catalog/standards/sist/56f61949-f9c2-4aeb-a94a-8000da5858c3/sist-en-300-175-3-v1-9-1-2006>
Figure 1: The DECT protocol stack

2 References

The following documents contain provisions which, through reference in this text, constitute provisions of the present document.

- References are either specific (identified by date of publication and/or edition number or version number) or non-specific.
- For a specific reference, subsequent revisions do not apply.
- For a non-specific reference, the latest version applies.

Referenced documents which are not found to be publicly available in the expected location might be found at <http://docbox.etsi.org/Reference>.

- [1] ETSI EN 300 175-1: "Digital Enhanced Cordless Telecommunications (DECT); Common Interface (CI); Part 1: Overview".
- [2] ETSI EN 300 175-2: "Digital Enhanced Cordless Telecommunications (DECT); Common Interface (CI); Part 2: Physical Layer (PHL)".
- [3] ETSI EN 300 175-4: "Digital Enhanced Cordless Telecommunications (DECT); Common Interface (CI); Part 4: Data Link Control (DLC) layer".
- [4] ETSI EN 300 175-5: "Digital Enhanced Cordless Telecommunications (DECT); Common Interface (CI); Part 5: Network (NWK) layer".