

SLOVENSKI STANDARD

SIST EN 144-2:1999

01-julij-1999

CdfYa UnUj Ufcj Ub^YX\ U`E`JYbhj]`nUd`]bg_Y^Y`Yb_YE`&`XY.`n cXb]`df]`f`]

Respiratory protective devices - Gas cylinder valves - Part 2: Outlet connections

Atenschutzgeräte - Gasflaschenventile - Teil 2: Gewindeverbindungen am Ausgangsstutzen

Appareils de protection respiratoire - Robinets de bouteille a gaz - Partie 2: Raccordements de sortie

STANDARD PREVIEW
(standards.iteh.ai)

Ta slovenski standard je istoveten z: ^{SIST EN 144-2:1999} **EN 144-2:1998**
<https://standards.iteh.ai/catalog/standards/sist/0220014f-3ef0-4d50-8b96-96569688bfl2/sist-en-144-2-1999>

ICS:

13.340.30 Varovalne dihalne naprave Respiratory protective devices

SIST EN 144-2:1999

en

iTeh STANDARD PREVIEW
(standards.iteh.ai)

SIST EN 144-2:1999

<https://standards.iteh.ai/catalog/standards/sist/0220014f-3ef0-4d50-8b96-96569688bf12/sist-en-144-2-1999>

ICS 13.340.30

Descriptors: respiratory protective equipment, gas cylinders, cocks, threaded fittings, screw threads, dimensions, dimensional tolerances, marking

English version

Respiratory protective devices - Gas cylinder valves - Part 2: Outlet connections

Appareils de protection respiratoire - Robinets de bouteille
à gaz - Partie 2: Raccordements de sortie

Atemschutzgeräte - Gasflaschenventile - Teil 2:
Gewindeverbindungen am Ausgangsstutzen

This European Standard was approved by CEN on 11 October 1998.

CEN members are bound to comply with the CEN/CENELEC Internal Regulations which stipulate the conditions for giving this European Standard the status of a national standard without any alteration. Up-to-date lists and bibliographical references concerning such national standards may be obtained on application to the Central Secretariat or to any CEN member.

This European Standard exists in three official versions (English, French, German). A version in any other language made by translation under the responsibility of a CEN member into its own language and notified to the Central Secretariat has the same status as the official versions.

CEN members are the national standards bodies of Austria, Belgium, Czech Republic, Denmark, Finland, France, Germany, Greece, Iceland, Ireland, Italy, Luxembourg, Netherlands, Norway, Portugal, Spain, Sweden, Switzerland and United Kingdom.

iTeh STANDARD PREVIEW
(standards.iteh.ai)

SIST EN 144-2:1998

<https://standards.iteh.ai/catalog/standards/sist/0221014f-3ef0-4d50-8b96-96569688bf12/sist-en-144-2-1998>



EUROPEAN COMMITTEE FOR STANDARDIZATION
COMITÉ EUROPÉEN DE NORMALISATION
EUROPÄISCHES KOMITEE FÜR NORMUNG

Central Secretariat: rue de Stassart, 36 B-1050 Brussels

Foreword

This European Standard has been prepared by Technical Committee CEN/TC 79 "Respiratory protective devices", the secretariat of which is held by DIN.

This European Standard shall be given the status of a national standard, either by publication of an identical text or by endorsement, at the latest by May 1999 and conflicting national standards shall be withdrawn at the latest by May 1999.

This European Standard has been prepared under a mandate given to CEN by the European Commission and the European Free Trade Association, and supports essential requirements of EU Directive(s).

For relationship with EU Directive(s), see informative Annex ZA, which is an integral part of this standard.

According to the CEN/CENELEC Internal Regulations, the national standards organizations of the following countries are bound to implement this European Standard: Austria, Belgium, Czech Republic, Denmark, Finland, France, Germany, Greece, Iceland, Ireland, Italy, Luxembourg, Netherlands, Norway, Portugal, Spain, Sweden, Switzerland and the United Kingdom.

iTeh STANDARD PREVIEW
(standards.iteh.ai)

[SIST EN 144-2:1999](#)

<https://standards.iteh.ai/catalog/standards/sist/0220014f-3ef0-4d50-8b96-96569688bf12/sist-en-144-2-1999>

Introduction

In recognition of the very high number of valves throughout Europe using threads of existing national design and the high costs that would be caused by the unnecessary early replacement of these, it is acknowledged that a 15 year transitional period will be required to phase in valves using the thread described in this standard. During the ensuing period valves may be supplied with threads to the existing national design or to the standard described herein.

1 Scope

This European Standard is applicable to a thread connection used for the connection between a gas cylinder valve and a pressure reducer for respiratory protective devices except those for diving containing breathable air, oxygen or oxygen/nitrogen. It specifies the dimensions and tolerances for connections which are used for respiratory protective devices.

2 Normative references

This European Standard incorporates by dated or undated reference, provisions from other publications. These normative references are cited at the appropriate places in the text and the publications are listed hereafter. For dated references, subsequent amendments to or revisions of any of these publications apply to this European Standard only when incorporated in it by amendment or revision. For undated references the latest edition of the publication referred to applies.

EN 144-1:1991 Respiratory protective devices - Gas cylinder valves - Part 1: Thread connection for insert connector

iTeh STANDARD PREVIEW
(standards.iteh.ai)

[SIST EN 144-2:1999](https://standards.iteh.ai/catalog/standards/sist/0220014f-3ef0-4d50-8b96-96569688bf12/sist-en-144-2-1999)

<https://standards.iteh.ai/catalog/standards/sist/0220014f-3ef0-4d50-8b96-96569688bf12/sist-en-144-2-1999>

3 Thread connection for valve outlet for breathable air, oxygen and oxygen/nitrogen

3.1 Thread connection for breathable air

3.1.1 Thread connection for breathable air up to 250 bar (nominal pressure 200 bar)

The figures 1a) to 1g) show the thread connection and its dimensions to be used for cylinders with a maximum filling pressure of 250 bar.

Dimensions in millimetres

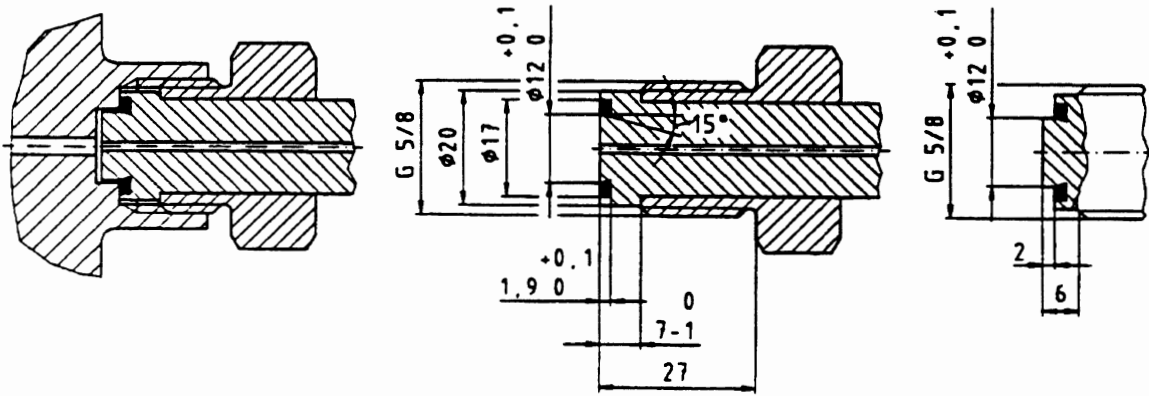
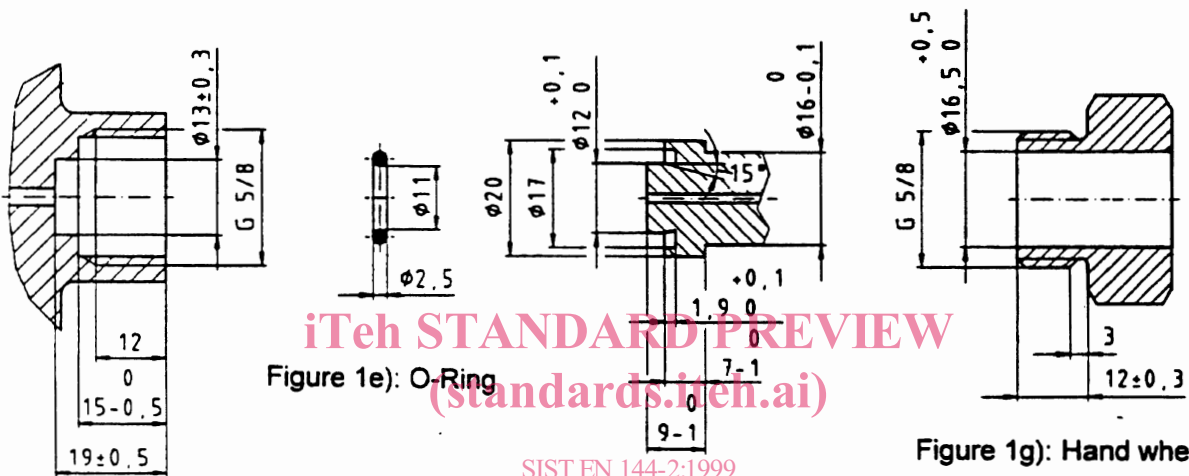


Figure 1a): Valve outlet connection

Figure 1b): Charging Connector

Figure 1c): Sealing plug



iTeh STANDARD PREVIEW
 (standards.iteh.ai)

SIST EN 144-2:1999

[https://standards.iteh.ai/catalog/standards/sist/0220014f-3ef0-4d50-8b96-](https://standards.iteh.ai/catalog/standards/sist/0220014f-3ef0-4d50-8b96-96569688bfl2/sist-en-144-2-1999)

[96569688bfl2/sist-en-144-2-1999](https://standards.iteh.ai/catalog/standards/sist/0220014f-3ef0-4d50-8b96-96569688bfl2/sist-en-144-2-1999)

Figure 1d): Valve outlet

Figure 1f): Connector

Figure 1g): Hand wheel

3.1.2 Thread connection for breathable air 250 bar to 350 bar (nominal pressure 300 bar)

The figures 2a) to 2 h) show the thread connection and its dimensions to be used for cylinders with a maximum filling pressure of 350 bar.

Dimensions in millimetres

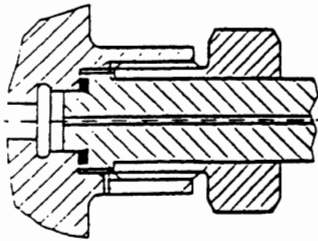


Figure 2a): Valve outlet connection

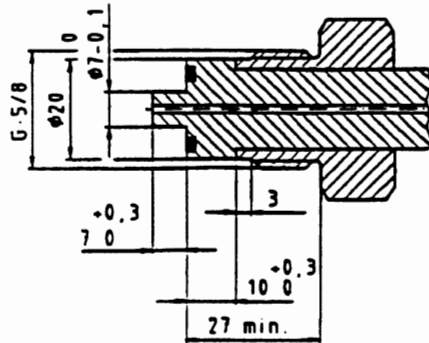


Figure 2b): Filling connector and connector for multiple cylinder equipment

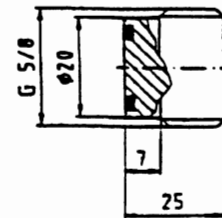


Figure 2c): Sealing plug

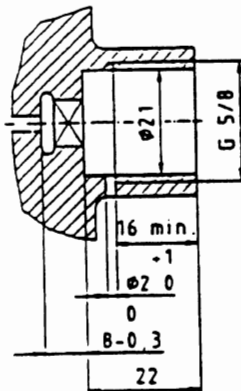


Figure 2d): Valve outlet

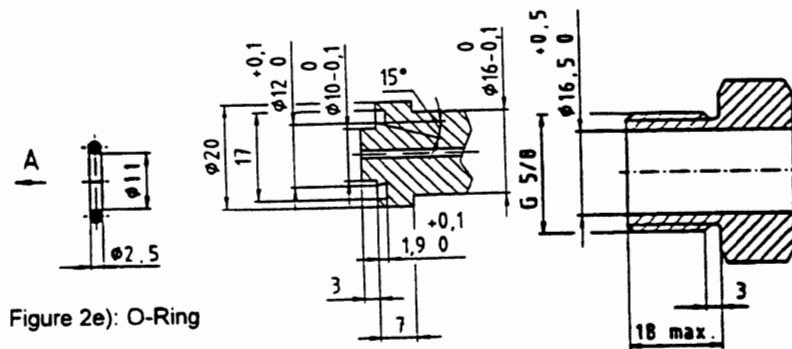


Figure 2e): O-Ring

Figure 2f): Connector for single cylinder equipment

Figure 2g): Hand wheel



Figure 2h): View A

3.2 Thread connection for oxygen

3.2.1 Thread connection for oxygen up to 250 bar (nominal pressure 200 bar)

The figures 3a) to 3 h) show the thread connection and its dimensions to be used for cylinders with a maximum filling pressure of 250 bar.

Dimensions in millimetres

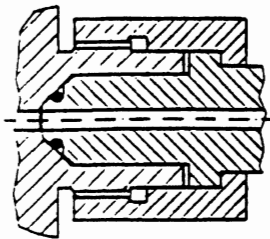


Figure 3a) Valve outlet connection

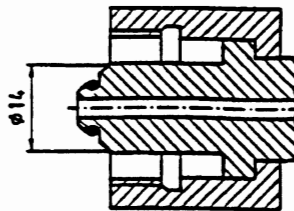


Figure 3b) Connector

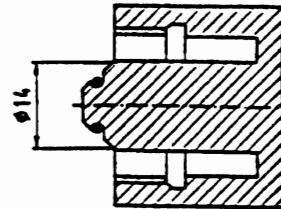


Figure 3c) Sealing plug

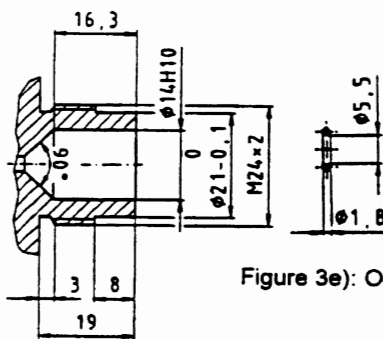


Figure 3d) Valve outlet

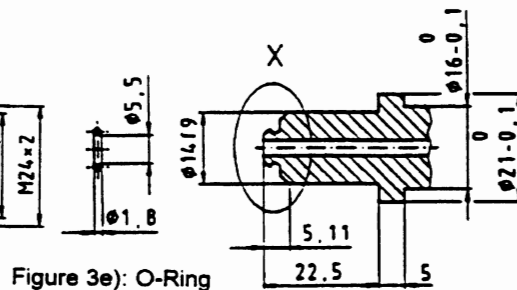


Figure 3e) O-Ring

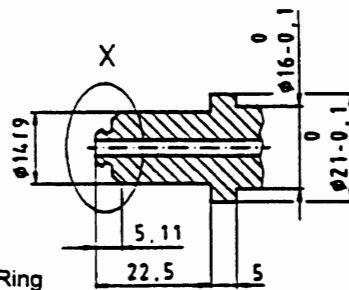


Figure 3f) Connector

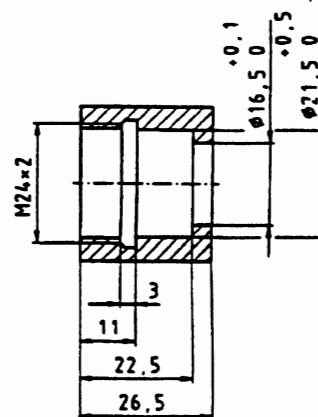


Figure 3g) Hand wheel

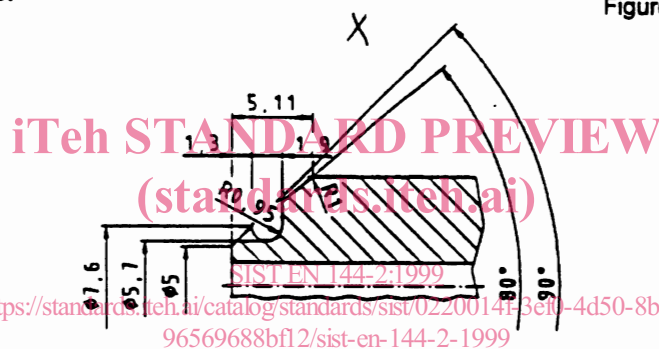


Figure 3h) Detail X enlarged

3.2.2 Thread connection for oxygen 250 bar to 350 bar (nominal pressure 300 bar)

The figures 4a) to 4h) show the thread connection and its dimensions to be used for cylinders with a maximum filling pressure of 350 bar.

Dimensions in millimetres

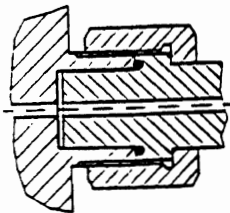


Figure 4a): Valve outlet connection

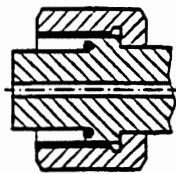


Figure 4b): Connector

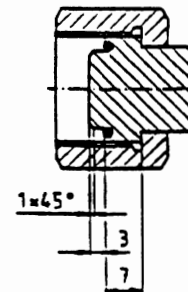


Figure 4c): Sealing plug

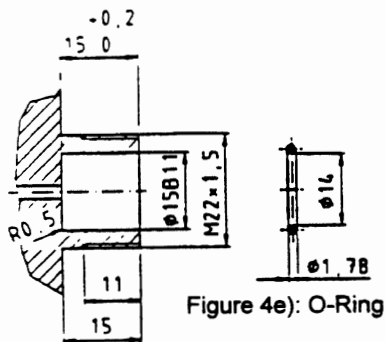


Figure 4d): Valve outlet

Figure 4e): O-Ring

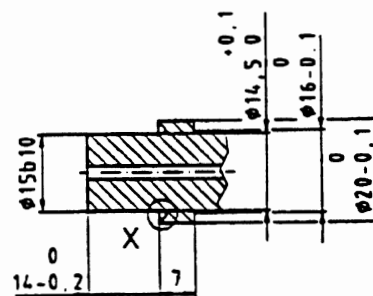


Figure 4f): Connector

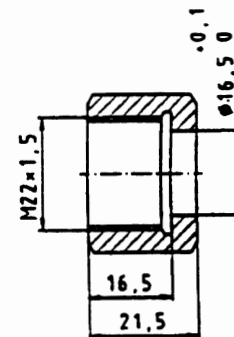


Figure 4g): Hand wheel

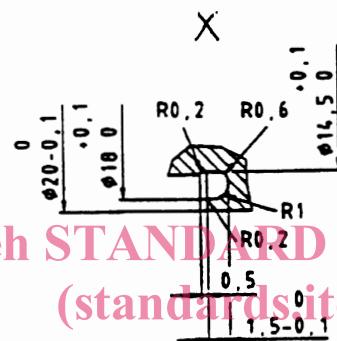


Figure 4h): Detail X