



SLOVENSKI STANDARD SIST EN 134:1998

01-maj-1998

BUXca Yý U
SIST EN 134:1996

Oprema za varovanje dihal - Poimenovanje sestavnih delov

Respiratory protective devices - Nomenclature of components

Atenschutzgeräte - Benennungen von Einzelteilen

Appareils de protection respiratoire - Nomenclature des composants
iTeh STANDARD PREVIEW
(standards.iteh.ai)

Ta slovenski standard je istoveten z: EN 134:1998

<https://standards.iteh.ai/catalog/standards/sist/8183537e-81e1-4dc7-ad2b-9d79e22ee227/sist-en-134-1998>

ICS:

01.040.13	Varstvo okolja in zdravja. Varnost (Slovarji)	Environment and health protection. Safety (Vocabularies)
13.340.30	Varovalne dihalne naprave	Respiratory protective devices

SIST EN 134:1998

en

iTeh STANDARD PREVIEW
(standards.iteh.ai)

SIST EN 134:1998

<https://standards.iteh.ai/catalog/standards/sist/8183537e-81e1-4dc7-ad2b-9d79e22ce227/sist-en-134-1998>

ICS 01.040.13; 13.340.30

Supersedes EN 134:1990

Descriptors: personal protective equipment, accident prevention, respiratory protective equipment, components, nomenclature, multilingual nomenclature

English version

Respiratory protective devices - Nomenclature of components

Appareils de protection respiratoire - Nomenclature des composants

Atemschutzgeräte - Benennungen von Einzelteilen

This European Standard was approved by CEN on 21 December 1997.

CEN members are bound to comply with the CEN/CENELEC Internal Regulations which stipulate the conditions for giving this European Standard the status of a national standard without any alteration. Up-to-date lists and bibliographical references concerning such national standards may be obtained on application to the Central Secretariat or to any CEN member.

This European Standard exists in three official versions (English, French, German). A version in any other language made by translation under the responsibility of a CEN member into its own language and notified to the Central Secretariat has the same status as the official versions.

CEN members are the national standards bodies of Austria, Belgium, Czech Republic, Denmark, Finland, France, Germany, Greece, Iceland, Ireland, Italy, Luxembourg, Netherlands, Norway, Portugal, Spain, Sweden, Switzerland and United Kingdom.

iTeh STANDARD PREVIEW
(standards.itech.ai)

SIST EN 134:1998

<https://standards.itech.ai/catalog/standards/sist/8183574e-81e1-4dc7-ad2b-9d79e22ce227/sist-en-134-1998>



EUROPEAN COMMITTEE FOR STANDARDIZATION
COMITÉ EUROPÉEN DE NORMALISATION
EUROPÄISCHES KOMITEE FÜR NORMUNG

Central Secretariat: rue de Stassart, 36 B-1050 Brussels

CONTENTS

	Page
Foreword	
1 Scope	4
2 Normative references	4
3 Nomenclature	7
3.1 Facepieces	7
3.2 Filtering devices	11
3.3 Breathing apparatus	17
Annex ZA (Informative) Clauses of this European Standard addressing essential requirements or other provisions of EC Directives	26

iTeh STANDARD PREVIEW
(standards.iteh.ai)

[SIST EN 134:1998](https://standards.iteh.ai/catalog/standards/sist/8183537e-81e1-4dc7-ad2b-9d79e22ce227/sist-en-134-1998)

<https://standards.iteh.ai/catalog/standards/sist/8183537e-81e1-4dc7-ad2b-9d79e22ce227/sist-en-134-1998>

FOREWORD

This European Standard has been prepared by Technical Committee CEN/TC 79 "Respiratory protective devices", the secretariat of which is held by DIN.

This European Standard supersedes EN 134:1990.

This European Standard shall be given the status of a national standard, either by publication of an identical text or by endorsement, at the latest by July 1998, and conflicting national standards shall be withdrawn at the latest by July 1998.

This European Standard has been prepared under a mandate given to CEN by the European Commission and the European Free Trade Association, and supports essential requirements of EU Directive(s).

For relationship with EU Directive(s), see informative Annex ZA, which is an integral part of this standard.

According to the CEN/CENELEC Internal Regulations, the national standards organizations of the following countries are bound to implement this European Standard: Austria, Belgium, Czech Republic, Denmark, Finland, France, Germany, Greece, Iceland, Ireland, Italy, Luxembourg, Netherlands, Norway, Portugal, Spain, Sweden, Switzerland and the United Kingdom.

iTeh STANDARD PREVIEW
(standards.iteh.ai)

SIST EN 134:1998

<https://standards.iteh.ai/catalog/standards/sist/8183537e-81e1-4dc7-ad2b-9d79e22ce227/sist-en-134-1998>

1 Scope

This European Standard specifies a harmonized nomenclature for typical components of respiratory protective devices. It does not specify which or how many components are used and where they are located in the apparatus.

The illustrations used are given as examples only for the identification of the different parts and the corresponding terms for facilitating the application. The definitions and terms used are given in EN 132 and EN 135.

The terms are given in the three official CEN languages.

2 Normative references

This European Standard incorporates, by dated or undated reference, provisions from other publications. These normative references are cited at the appropriate places in the text and the publications are listed hereafter. For dated references, subsequent amendments to or revisions of any of these publications apply to this European Standard only when incorporated in it by amendment or revision. For undated references the latest edition of the publication referred to applies.

EN 132	Respiratory protective devices - Definitions
EN 135	Respiratory protective devices - List of equivalent terms
EN 136	Respiratory protective devices - Full face masks - Requirements, testing, marking
EN 137	Respiratory protective devices - Self-contained open-circuit compressed air breathing apparatus - Requirements, testing, marking
EN 138	Respiratory protective devices - Fresh air hose breathing apparatus for use with full face mask, half mask or mouthpiece assembly - Requirements, testing, marking
EN 139	Respiratory protective devices - Compressed air line breathing apparatus with full face mask, half mask or mouthpiece assembly - Requirements, testing, marking
EN 140	Respiratory protective devices - Half masks and quarter masks - Requirements, testing, marking
EN 141	Respiratory protective devices - Gas filters and combined filters - Requirements, testing, marking

- EN 142 Respiratory protective devices - Mouthpiece assemblies - Requirements, testing, marking
- EN 143 Respiratory protective devices - Particle filters - Requirements, testing, marking
- EN 145 Respiratory protective devices - Self-contained closed-circuit breathing apparatus, compressed oxygen type - Requirements, testing, marking
- EN 146 Respiratory protective devices - Powered filtering devices incorporating helmets or hoods - Requirements, testing, marking
- EN 147 Respiratory protective devices - Power assisted filtering devices incorporating full face masks, half masks or quarter masks - Requirements, testing, marking
- EN 149 Respiratory protective devices - Filtering half masks against particles - Requirements, testing, marking
- EN 250 Respiratory equipment - Open-circuit self-contained compressed air diving apparatus - Requirements, testing, marking
- EN 269 Respiratory protective devices - Powered fresh air hose breathing apparatus incorporating a hood - Requirements, testing, marking
- EN 270 Respiratory protective devices - Compressed air line breathing apparatus incorporating a hood - Requirements, testing, marking
- EN 271 Respiratory protective devices - Compressed air line or powered fresh air hose breathing apparatus incorporating a hood for use in abrasive blasting operations - Requirements, testing, marking
- EN 400 Respiratory protective devices for self-rescue - Self-contained closed-circuit breathing apparatus - Compressed oxygen escape apparatus - Requirements, testing, marking
- EN 401 Respiratory protective devices for self-rescue - Self-contained closed-circuit breathing apparatus - Chemical oxygen (KO₂) escape apparatus - Requirements, testing, marking
- EN 402 Respiratory protective devices for escape - Self-contained open-circuit compressed air breathing apparatus with full face mask or mouthpiece assembly - Requirements, testing, marking
- EN 403 Respiratory protective devices for self-rescue - Filtering devices with hood for self-rescue from fire - Requirements, testing, marking

iTeh STANDARD PREVIEW
(standardcitech.ai)

SIST EN 134:1998

<https://standards.iteh.ai/catalog/standards/sist/82537e-81e1-4871-d2b-9d79e22ce237/sist-en-134-1998>

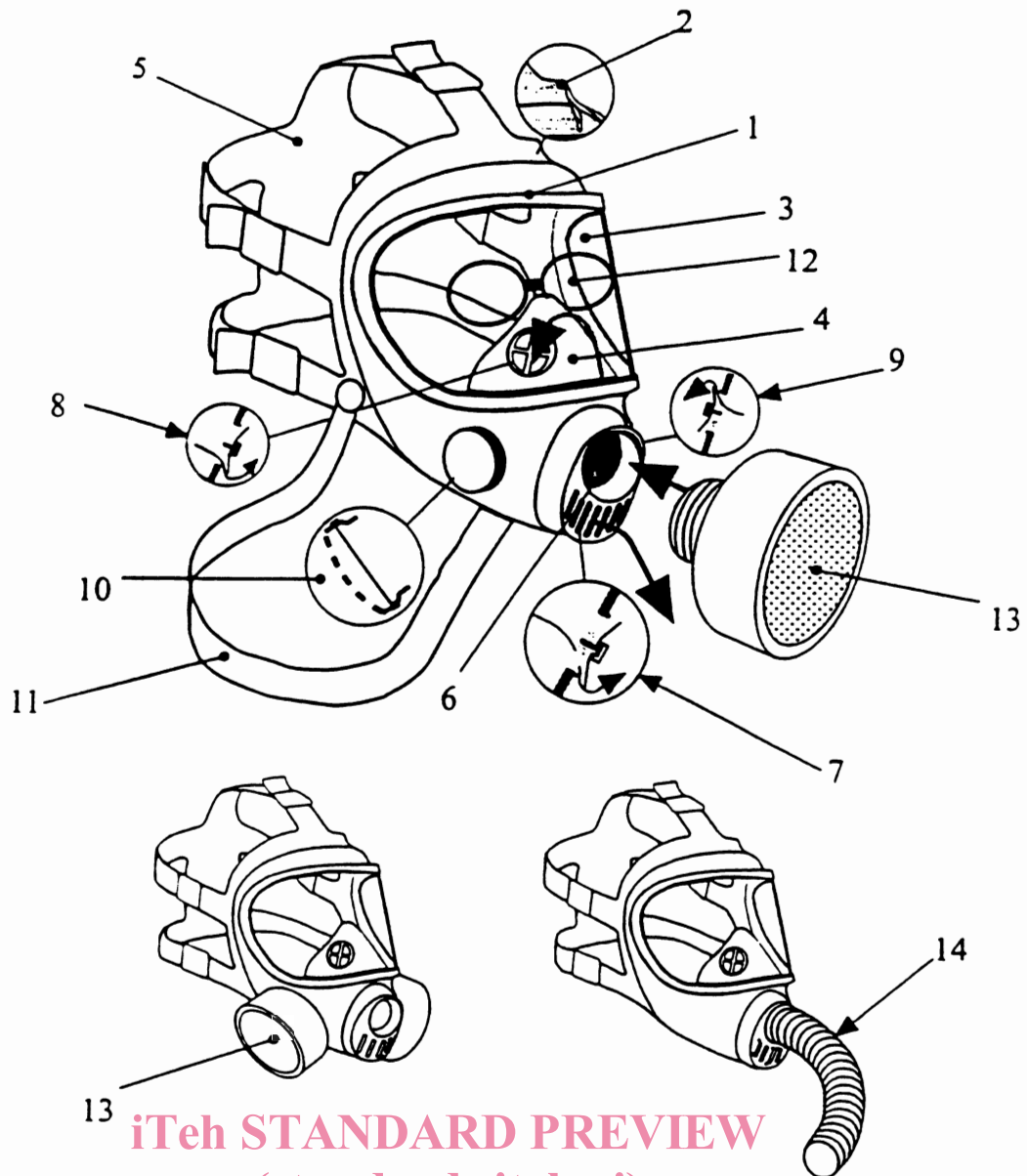
EN 404	Respiratory protective devices for self-rescue - Filter self-rescuers - Requirements, testing, marking
EN 405	Respiratory protective devices - Valved filtering half masks to protect against gases or gases and particles - Requirements, testing, marking
EN 1061	Respiratory protective devices for self-rescue - Self-contained closed-circuit breathing apparatus - Chemical oxygen (NaClO ₃) escape apparatus - Requirements, testing, marking
EN 1146	Respiratory protective devices for self-rescue - Self-contained open-circuit compressed air breathing apparatus incorporating a hood (compressed air escape apparatus with hood) - Requirements, testing, marking
prEN 1827	Respiratory protective devices - Half masks without inhalation valves and with separable filters to protect against gases or gases and particles or particles only - Requirements, testing, marking
prEN 1835	Respiratory protective devices - Light duty compressed air line breathing apparatus incorporating helmet or hood: Requirements, testing, marking
prEN 12419	Respiratory protective devices - Light duty compressed air line breathing apparatus incorporating full face masks, half masks or quarter masks - Requirements, testing, marking

iTeh STANDARD PREVIEW
(standards.iteh.ai)

[SIST EN 134:1998](https://standards.iteh.ai/catalog/standards/sist/8183537e-81e1-4dc7-ad2b-9d79e22ce227/sist-en-134-1998)

<https://standards.iteh.ai/catalog/standards/sist/8183537e-81e1-4dc7-ad2b-9d79e22ce227/sist-en-134-1998>

3	Nomenclature	Nomenclature	Benennungen
3.1	Facepieces	Pièces faciales	Atemanschlüsse
3.1.1	Full face mask EN 136	Masque complet EN 136	Vollmaske EN 136



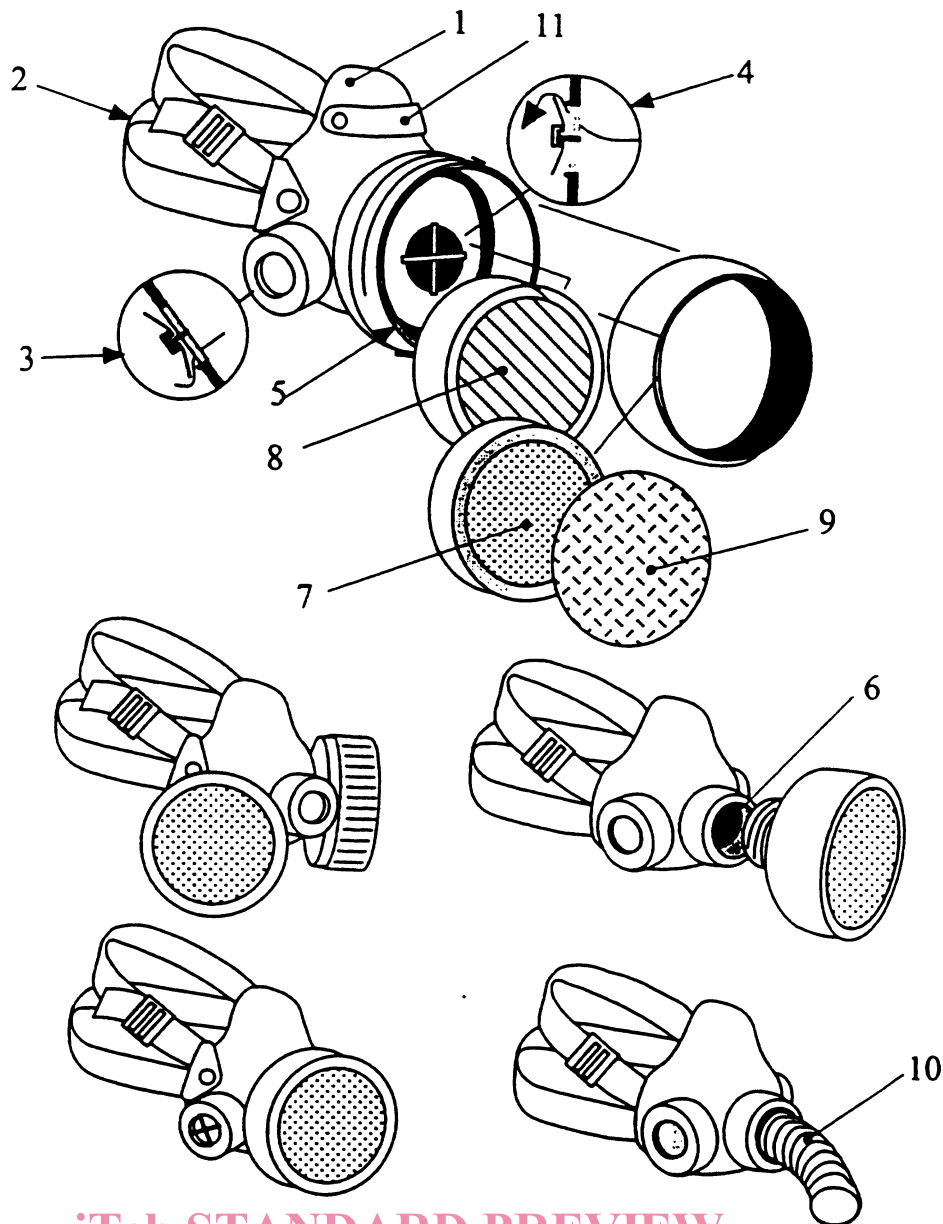
iTeh STANDARD PREVIEW
(standards.iteh.ai)

1 Faceblank	1 Jupe de masque	1 Maskenkörper
2 Facepiece seal	2 Joint facial	2 Maskendichtrahmen
3 Visor	3 Oculaire	3 Sichtscheibe
4 Inner mask	4 Masque intérieur	4 Innenmaske
5 Head harness	5 Jeu de brides	5 Kopfbänderung
6 Equipment connector	6 Raccord à l'équipement	6 Geräteanschlußstück
7 Exhalation valve	7 Soupape expiratoire	7 Ausatemventil
8 Check valve	8 Soupape inspiratoire du masque intérieur	8 Steuerventil
9 Inhalation valve	9 Soupape inspiratoire	9 Einatemventil
10 Speech diaphragm	10 Membrane phonique	10 Sprechmembran
11 Neck strap, (carrying strap)	11 Bretelle de transport	11 Trageband
12 (Spectacles)	12 (Lunettes)	12 (Maskenbrille)
13 Filter	13 Filtre	13 Filter
14 Breathing hose	14 Tuyau respiratoire	14 Atemschlauch

3.1.2 Half mask or quarter mask EN 140

Demi-masque ou quart de masque EN 140

Halbmaske oder Viertelmaske EN 140



iTeh STANDARD PREVIEW

- 1 Faceblank
- 2 Head harness
- 3 Exhalation valve
- 4 Inhalation valve
- 5 Filter housing
- 6 Equipment connector
- 7 Particle filter
- 8 Gas filter
- 9 Prefilter
- 10 Breathing hose
- 11 Nosepiece

(standards.iteh.ai)

- 1 Jupe de masque
- 2 Jeu de brides
- 3 Soupape expiratoire
- 4 Soupape inspiratoire
- 5 Boîtier de filtre
- 6 Raccord à l'équipement
- 7 Filtre à particules
- 8 Filtre anti-gaz
- 9 Préfiltre
- 10 Tuyau respiratoire
- 11 Pince nez

- 1 Maskenkörper
- 2 Kopfbänderung
- 3 Ausatemventil
- 4 Einatemventil
- 5 Filteraufnahme
- 6 Geräteanschlußstück
- 7 Partikelfilter
- 8 Gasfilter
- 9 Vorfilter
- 10 Atemschlauch
- 11 Nasenbügel

**3.1.3 Mouthpiece assembly
EN 142**

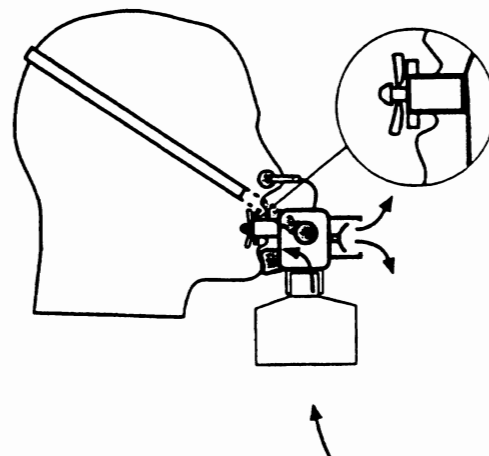
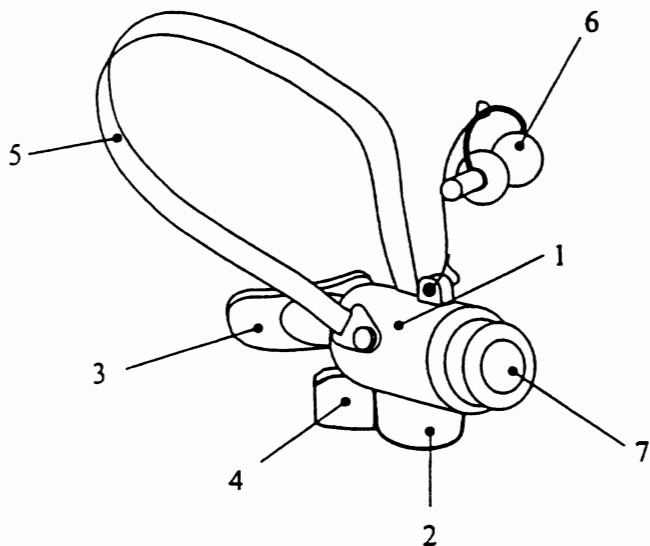
**Ensemble embout buccal
EN 142**

**Mundstückgarnitur
EN 142**

for filtering devices and open-circuit breathing apparatus

pour appareils filtrants et appareils à circuit ouvert

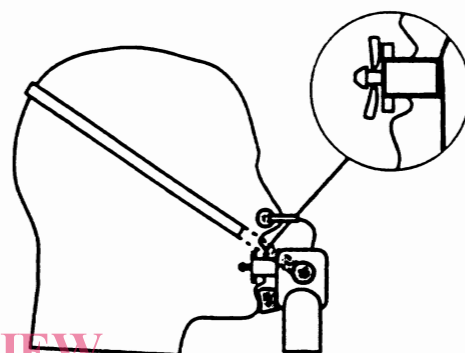
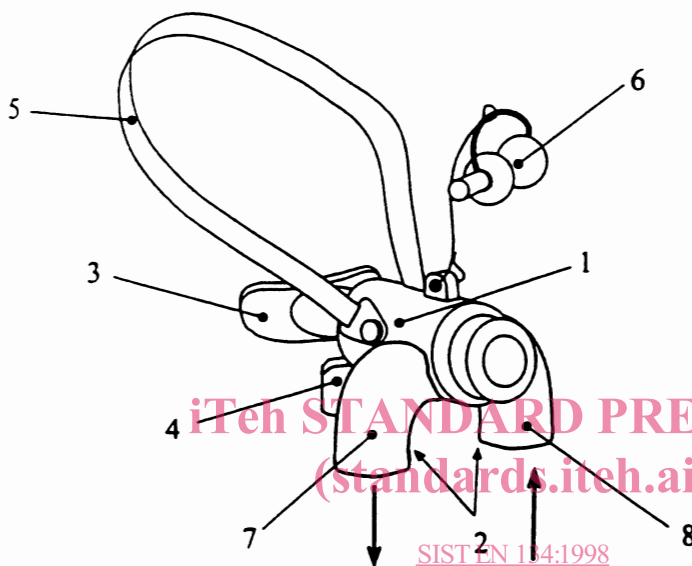
für Filter-, Schlauch- und Behältergeräte



for closed-circuit breathing apparatus

pour appareils à circuit fermé

für Regenerationsgeräte



STANDARD PREVIEW
(standards.itech.ai)

SIST EN 134:1998

<https://standards.itech.ai/catalog/standards/sist/8183537e-81e1-4dc7-ad2b-d67c22cc2731/sist-en-134-1998>

1 Mouthpiece body

2 Equipment connector

3 Mouthpiece

4 Chin support

5 Head harness

6 Nose clip

7 Exhalation valve

8 Inhalation valve

1 Corps d'embout buccal

2 Raccord à l'équipement

3 Embout buccal

4 Mentonnière

5 Jeu de brides

6 Pince narines

7 Soupape expiratoire

8 Soupape inspiratoire

1 Mundstückkörper

2 Geräteanschlußstück

3 Mundstück

4 Kinnstütze

5 Kopfbänderung

6 Nasenklemme

7 Ausatemventil

8 Einatemventil