



SLOVENSKI STANDARD
SIST EN 134:1996

01-april-1996

Oprema za varovanje dihal - Poimenovanje sestavnih delov

Respiratory protective devices - Nomenclature of components

Atenschutzgeräte - Benennungen von Einzelteilen

Appareils de protection respiratoire - Nomenclature des composants

Ta slovenski standard je istoveten z: EN 134:1990

[SIST EN 134:1996](https://standards.iteh.ai/catalog/standards/sist/dd9b0dcd-e324-43af-9df0-5333d58d7187/sist-en-134-1996)

<https://standards.iteh.ai/catalog/standards/sist/dd9b0dcd-e324-43af-9df0-5333d58d7187/sist-en-134-1996>

ICS:

13.340.30 Varovalne dihalne naprave Respiratory protective devices

SIST EN 134:1996

en

iTeh STANDARD PREVIEW
(standards.iteh.ai)

[SIST EN 134:1996](#)

<https://standards.iteh.ai/catalog/standards/sist/dd9b0dcd-e324-43af-9df0-5333d58d7187/sist-en-134-1996>

EUROPEAN STANDARD

EN 134

NORME EUROPEENNE

EUROPAISCHE NORM

September 1990

UDC: 614.894:62-2:001.4

Supersedes EN 134:1986

Key words: Work safety, accident prevention, respiratory protective equipment, components, vocabulary, schematic presentation

English version

Respiratory protective devices - Nomenclature of components

Appareils de protection respiratoire - Atemschutzgeräte - Benennungen von Einzelteilen
Nomenclature des composants

This European Standard was accepted by CEN on 1990-09-04. CEN members are bound to comply with the requirements of the CEN/CENELEC Common Rules which stipulate the conditions for giving this European Standard the status of a national standard without any alteration.

Up-to-date lists and bibliographical references concerning such national standards may be obtained on application to the CEN Central Secretariat or to any CEN member.

SIST EN 134:1996

This European Standard exists in three official versions (English, French, German). A version in any other language made by translation under the responsibility of a CEN member into its own language and notified to CEN Central Secretariat has the same status as the official versions.

CEN members are the national standards organizations of Austria, Belgium, Denmark, Finland, France, Germany, Greece, Iceland, Ireland, Italy, Luxembourg, Netherlands, Norway, Portugal, Spain, Sweden, Switzerland and United Kingdom.

CEN

European Committee for Standardization
Comité Européen de Normalisation
Europäisches Komitee für Normung

Central Secretariat: rue Bréderode 2, B-1000 Brussels

(c) CEN 1990 Copyright reserved to all CEN members

Ref. No. EN 134:1990 E



COMITÉ EUROPÉEN DE NORMALISATION
EUROPEAN COMMITTEE FOR STANDARDIZATION
CEN
11, rue de la Woluwe, 1200 Brussels, Belgium
Tel. (32) 2 550 14 11
Fax (32) 2 550 14 12

FOREWORD

This European Standard has been drawn up by CEN/TC 79 "Respiratory Protective Devices", the Secretariat of which is held by DIN.

The work was allocated in 1975 to Sub-Group 1 (SG 1) "Terminology" with the Finish Standardization Institute (SFS) as secretariat.

A first draft was circulated in January 1981 to all CEN Members. As a result of this enquiry, 10 members approved while 1 member disapproved the document.

In 1985 the document was submitted to formal vote and finally adopted in November 1985.

According to the modification of the CEN/CENELEC Voting procedure enforced in January 1988 (BT Resolution 33/88), this document was submitted to the new Formal voting rules in December 1989.

According to BT Resolution 33/1988, requesting the review of adopted European standards every 5 years, CEN/TC 79 decided after examination to confirm the standard without any change of the technical content.

However, due to the fact that the standard was adopted previously under the old voting procedure, it was submitted to the new weighted voting procedure enforced in January 1988.

The document was therefore submitted to this new Formal vote and was adopted in February 1990.

In accordance with the Common CEN/CENELEC Rules, the following countries are bound to implement this European Standard: Austria, Belgium, Denmark, Finland, France, Germany, Greece, Iceland, Ireland, Italy, Luxembourg, Netherlands, Norway, Portugal, Spain, Sweden, Switzerland and United Kingdom.

1 Object and field of application

This European Standard refers to respiratory protective devices. It provides a nomenclature for typical components of respiratory protective devices but it does not specify what or how many components are used and where they are located in the apparatus.

The illustrations used are given as examples only for the identification of the different parts and the corresponding terms for facilitating the application.

The object of this European Standard is to achieve a harmonized nomenclature for respiratory protective devices.

The terms are given in the 3 official CEN languages.

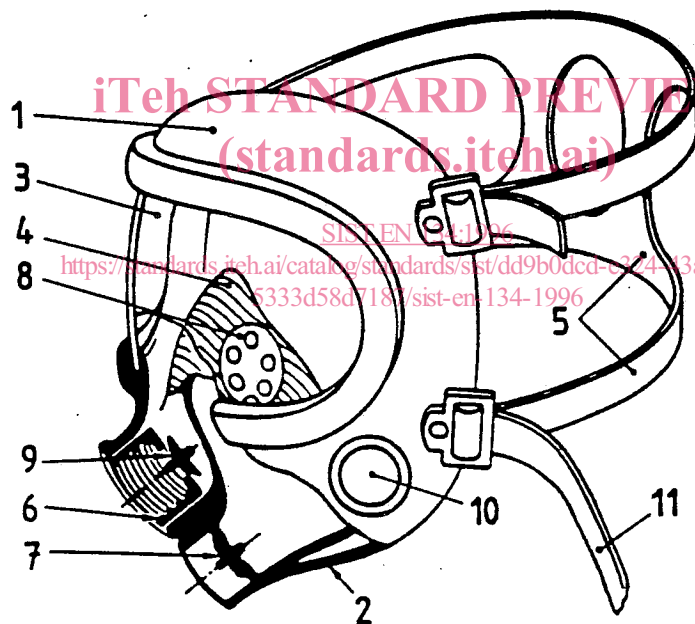
iTeh STANDARD PREVIEW (standards.iteh.ai)

SIST EN 134:1996

<https://standards.iteh.ai/catalog/standards/sist/dd9b0dcd-e324-43af-9df0-5333d58d7187/sist-en-134-1996>

Page 4
EN 134:1990

2	Nomenclature	Nomenclature	Benennungen
2.1	Facepieces	Pièces faciales	Atemanschlüsse
2.1.1	Full face mask	Masque complet	Vollmaske



- 1 Faceblank
- 2 Facepiece seal
- 3 Visor
- 4 Inner mask
- 5 Head harness
- 6 Connector
- 7 Exhalation valve
- 8 Check valve
- 9 Inhalation valve
- 10 Speech diaphragm
- 11 Neck strap (Carrying strap)

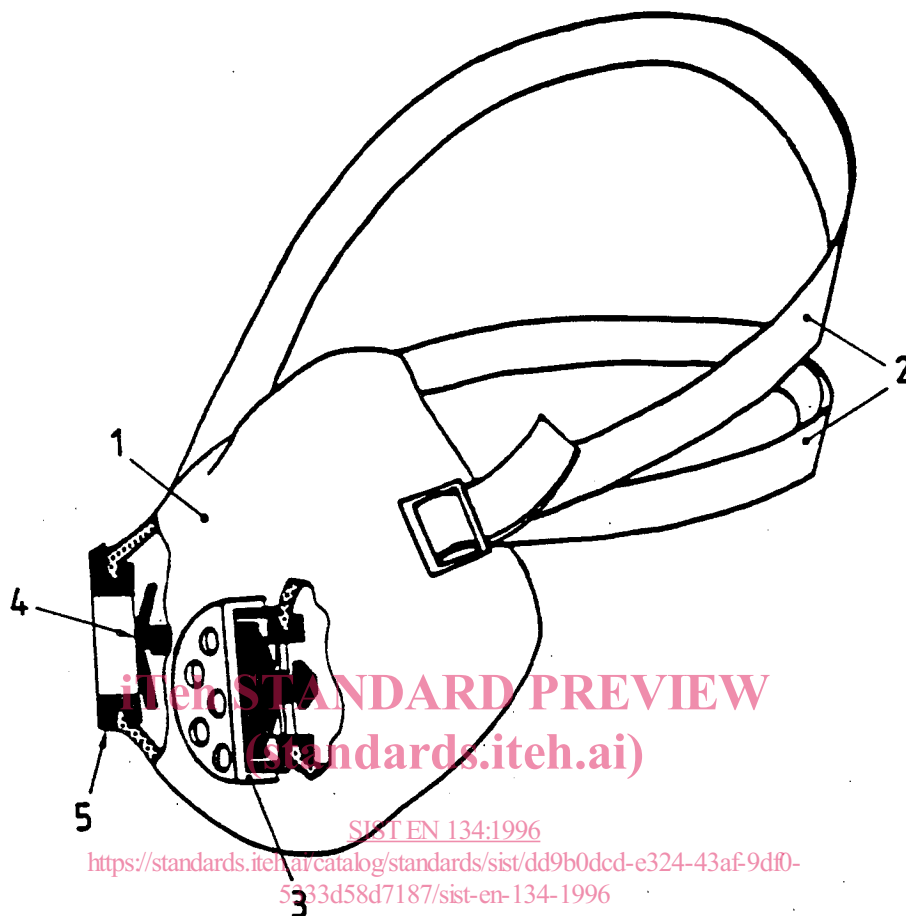
- 1 Jupe de masque
- 2 Bordure d'étanchéité
- 3 Oculaire
- 4 Masque intérieur
- 5 Jeu de brides
- 6 Raccord
- 7 Soupape expiratoire
- 8 Soupape inspiratoire du masque intérieur
- 9 Soupape inspiratoire
- 10 Membrane phonique
- 11 Bretelle de transport

- 1 Maskenkörper
- 2 Maskendichtrahmen
- 3 Sichtscheibe
- 4 Innenmaske
- 5 Kopfbänderung
- 6 Anschlußstück
- 7 Ausatemventil
- 8 Steuerventil
- 9 Einatemventil
- 10 Sprechmembran
- 11 Trageband

2.1.2 Half mask

Demi-masque

Halbmaske



STANDARD PREVIEW
Standards.iteh.ai)

SIST EN 134:1996
<https://standards.iteh.ai/catalog/standards/sist/dd9b0dcd-e324-43af-9df0-533d58d7187/sist-en-134-1996>

- 1 Faceblank
- 2 Head harness
- 3 Exhalation valve
- 4 Inhalation valve
- 5 Connector

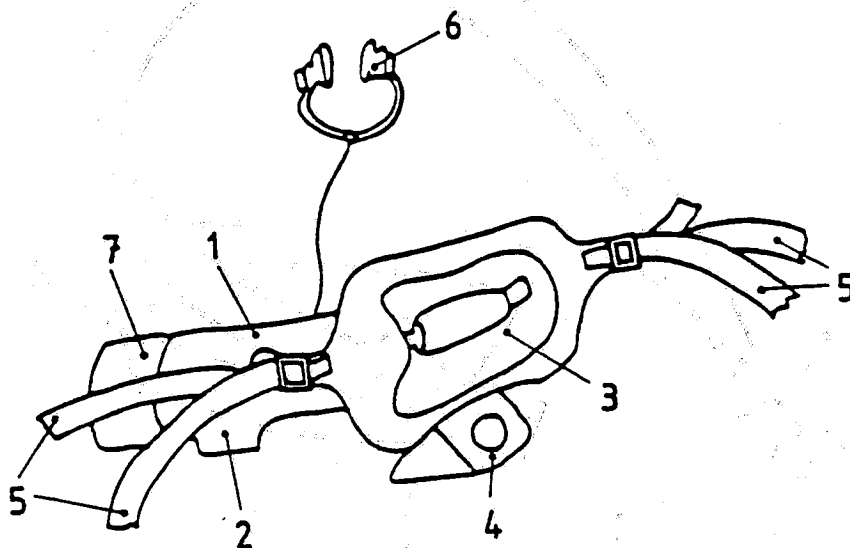
- 1 Jupe de masque
- 2 Jeu de brides
- 3 Soupape expiratoire
- 4 Soupape inspiratoire
- 5 Raccord

- 1 Maskenkörper
- 2 Kopfbänderung
- 3 Ausatemventil
- 4 Einatemventil
- 5 Anschlußstück

2.1.3 Mouthpiece assembly for filtering devices and open-circuit breathing apparatus

Ensemble embout buccal pour appareils filtrants et appareils à circuit ouvert

Mundstückgarnitur für Filter-, Schlauch- und Behältergeräte

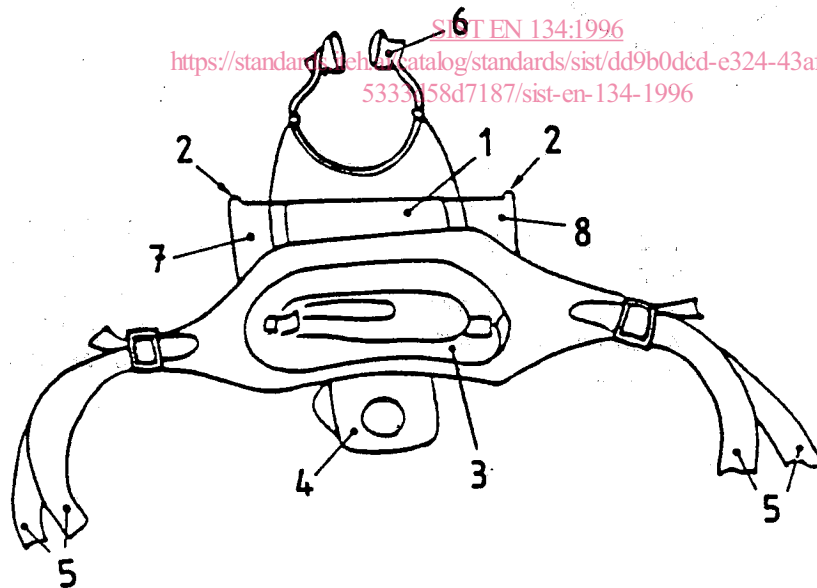


for closed-circuit breathing apparatus

pour appareils à circuit fermé

für Regenerationsgeräte

STANDARD PREVIEW
(standard.i.ch.ai)



- 1 Mouthpiece body
- 2 Connector
- 3 Mouthpiece
- 4 Chin support
- 5 Head harness
- 6 Nose clip
- 7 Exhalation valve
- 8 Inhalation valve

- 1 Corps d'embout buccal
- 2 Raccord
- 3 Embout buccal
- 4 Mentonnière
- 5 Jeu de brides
- 6 Pince narines
- 7 Soupape expiratoire
- 8 Soupape inspiratoire

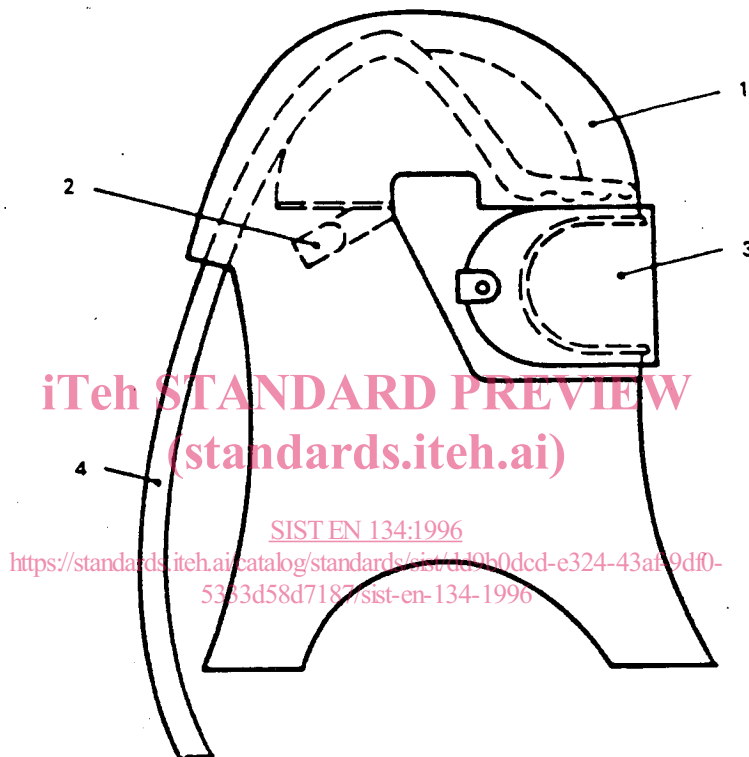
- 1 Mundstückkörper
- 2 Anschlußstück
- 3 Mundstück
- 4 Kinnstütze
- 5 Kopfbänderung
- 6 Nasenklammer
- 7 Ausatemventil
- 8 Einatemventil

ST EN 134:1996
<https://standards.i.ch/catalog/standards/sist/dd9b0dcd-e324-43af-9df0-5333158d7187/sist-en-134-1996>

2.1.4 Hood

Cagoule

Haube

iTeh STANDARD PREVIEW
(standards.iteh.ai)

SIST EN 134:1996

<https://standards.iteh.ai/catalog/standards/sist/1d9b0dcd-e324-43af-9df0-533d58d7187/sist-en-134-1996>

- 1 Hood
- 2 Head harness
- 3 Visor
- 4 Air supply hose

- 1 Cagoule
- 2 Jeu de brides
- 3 Oculaire
- 4 Tuyau d'alimentation en air

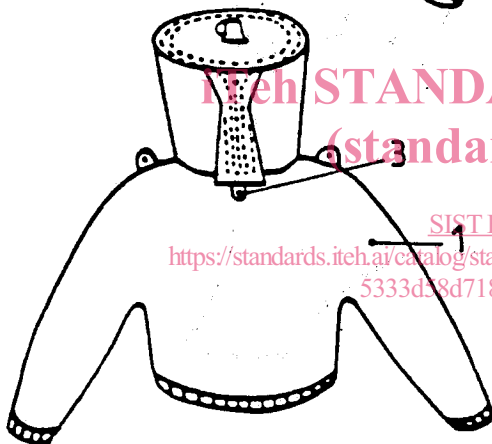
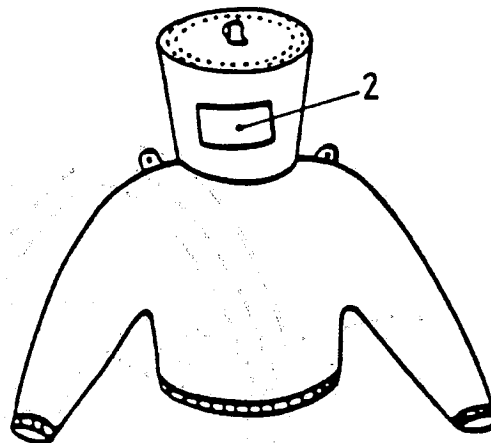
- 1 Haube
- 2 Kopfbänderung
- 3 Sichtscheibe
- 4 Luftzuführungsschlauch

2.1.5 Blouse

Gilet

Bluse

Front view
Vue de face
Vorderansicht



STANDARD PREVIEW
(standards.iteh.ai)

SIST EN 134:1996
<https://standards.iteh.ai/catalog/standards/sist/dd9b0dcd-e324-43f9d05333d38d7187/sist-en-134-1996>

Back view
Vue arrière
Rückenansicht

- 1 Blouse
- 2 Visor
- 3 Connector

- 1 Gilet
- 2 Oculaire
- 3 Raccord

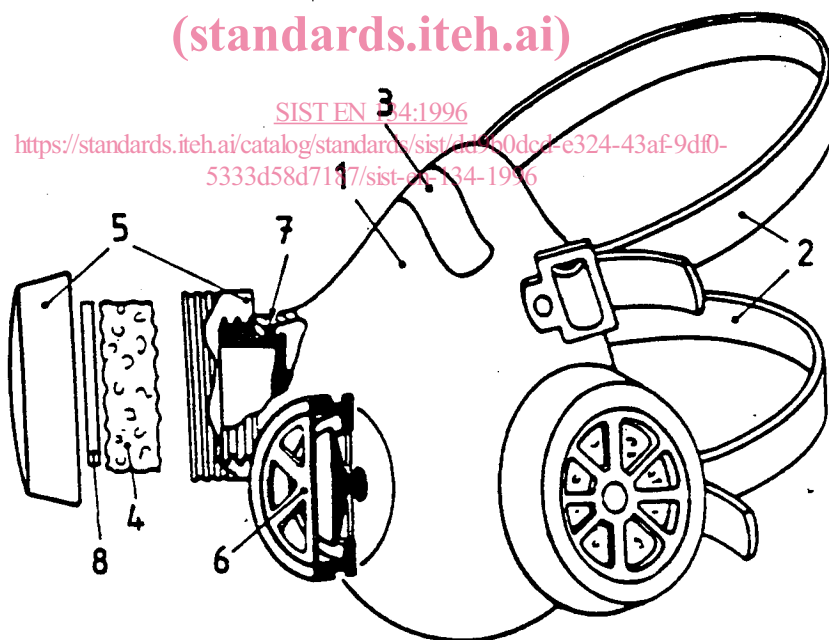
- 1 Bluse
- 2 Sichtscheibe
- 3 Anschlußstück

2.2 Filtering devices

Filtering devices consist either of a facepiece and filter(s) or of a filtering facepiece. They may be unassisted or powered.

2.2.1	Unassisted filtering devices	Appareils filtrants non assistés	Filtergeräte ohne Luftversorgung
2.2.1.1	Facepiece and Filter	Pièce faciale et filtre	Atemanschluß und Filter

iTeh STANDARD PREVIEW (standards.iteh.ai)



- 1 Faceblank
- 2 Head harness
- 3 Nosepiece
- 4 Filter
- 5 Filter housing
- 6 Exhalation valve
- 7 Inhalation valve
- 8 Prefilter

- 1 Jupe de masque
- 2 Jeu de brides
- 3 Pince nez
- 4 Filtre
- 5 Boîtier de filtre
- 6 Soupape expiratoire
- 7 Soupape inspiratoire
- 8 Préfiltre

- 1 Maskenkörper
- 2 Kopfbänderung
- 3 Nasenbügel
- 4 Filter
- 5 Filteraufnahme
- 6 Ausatemventil
- 7 Einatemventil
- 8 Vorfilter