



SLOVENSKI STANDARD

SIST EN 10061:2004

01-junij-2004

Hot rolled hexagon steel bars for general purposes - Dimensions and tolerances on shape and dimensions

Hot rolled hexagon steel bars for general purposes - Dimensions and tolerances on shape and dimensions

Warmgewalzte Sechskantstäbe aus Stahl - Maße, Formtoleranzen und Grenzabmaße

iTeh STANDARD PREVIEW

Hexagones en acier laminés a chaud - Dimensions et tolérance sur la forme et les dimensions

[SIST EN 10061:2004](https://standards.iteh.ai/catalog/standards/sist/0d2d4483-5c13-4fb1-98ae-1c08074d0565/sist-en-10061-2004)

Ta slovenski standard je istoveten z: **EN 10061:2003**

ICS:

77.140.60 Jeklene palice in drogovi Steel bars and rods

SIST EN 10061:2004

en

iTeh STANDARD PREVIEW
(standards.iteh.ai)

[SIST EN 10061:2004](#)

<https://standards.iteh.ai/catalog/standards/sist/0d2d4483-5c13-4fb1-98ae-fe08074d0565/sist-en-10061-2004>

EUROPEAN STANDARD
NORME EUROPÉENNE
EUROPÄISCHE NORM

EN 10061

October 2003

ICS 77.140.60

English version

Hot rolled hexagon steel bars for general purposes - Dimensions and tolerances on shape and dimensions

Hexagones en acier laminés à chaud - Dimensions et
tolérance sur la forme et les dimensions

Warmgewalzte Sechskantstäbe aus Stahl - Maße,
Formtoleranzen und Grenzabmaße

This European Standard was approved by CEN on 11 September 2003.

CEN members are bound to comply with the CEN/CENELEC Internal Regulations which stipulate the conditions for giving this European Standard the status of a national standard without any alteration. Up-to-date lists and bibliographical references concerning such national standards may be obtained on application to the Management Centre or to any CEN member.

This European Standard exists in three official versions (English, French, German). A version in any other language made by translation under the responsibility of a CEN member into its own language and notified to the Management Centre has the same status as the official versions.

CEN members are the national standards bodies of Austria, Belgium, Czech Republic, Denmark, Finland, France, Germany, Greece, Hungary, Iceland, Ireland, Italy, Luxembourg, Malta, Netherlands, Norway, Portugal, Slovakia, Spain, Sweden, Switzerland and United Kingdom.

iTeh STANDARD PREVIEW
(standards.iteh.ai)

SIST EN 10061:2004
<https://standards.iteh.ai/catalog/standards/sist/0d2d4483-5c13-4fb1-98ae-fe08074d0565/sist-en-10061-2004>



EUROPEAN COMMITTEE FOR STANDARDIZATION
COMITÉ EUROPÉEN DE NORMALISATION
EUROPÄISCHES KOMITEE FÜR NORMUNG

Management Centre: rue de Stassart, 36 B-1050 Brussels

EN 10061:2003 (E)

Contents	page
Foreword	3
1 Scope.....	4
2 Normative references.....	4
3 Terms and definitions	4
4 Designation	4
5 Dimensions	4
6 Tolerances on dimensions and shape.....	6
6.1 Width across flats (s).....	6
6.2 Length (L).....	6
6.3 Radius (r).....	6
6.4 Straightness (q).....	6
6.5 Twist	6
6.6 Out-of-section.....	6
7 Measurements	7
7.1 Width across flats.....	7
7.2 Length	7
7.3 Radius	7
7.4 Straightness.....	7
7.5 Twist	7
7.6 Out-of-section.....	7

<https://standards.iteh.ai/catalog/standards/sist/0d2d4483-5c13-4fb1-98ae-fe08074d0565/sist-en-10061-2004>

Foreword

This document (EN 10061:2003) has been prepared by Technical Committee ECISS/TC 11 "Structural steel sections and hot rolled steel bars for engineering use - Dimensions and tolerances", the secretariat of which is held by BSI.

This European Standard shall be given the status of a national standard, either by publication of an identical text or by endorsement, at the latest by April 2004, and conflicting national standards shall be withdrawn at the latest by April 2004.

This European Standard replaces:

EURONORM 61-82 *Hot rolled steel hexagons.*

According to the CEN/CENELEC Internal Regulations, the national standards organizations of the following countries are bound to implement this European Standard: Austria, Belgium, Czech Republic, Denmark, Finland, France, Germany, Greece, Hungary, Iceland, Ireland, Italy, Luxembourg, Malta, Netherlands, Norway, Portugal, Slovakia, Spain, Sweden, Switzerland and the United Kingdom.

iTeh STANDARD PREVIEW (standards.iteh.ai)

[SIST EN 10061:2004](https://standards.iteh.ai/catalog/standards/sist/0d2d4483-5c13-4fb1-98ae-fe08074d0565/sist-en-10061-2004)

<https://standards.iteh.ai/catalog/standards/sist/0d2d4483-5c13-4fb1-98ae-fe08074d0565/sist-en-10061-2004>

EN 10061:2003 (E)**1 Scope**

This European Standard specifies the nominal dimensions and the tolerances on dimensions and shape of hot-rolled steel hexagon bars.

2 Normative references

This European Standard incorporates by dated or undated reference provisions from other publications. These normative references are cited at the appropriate places in the text, and the publications are listed hereafter. For dated references subsequent amendments to or revisions of any of these publications apply to this European Standard only when incorporated in it by amendment or revision. For undated references the latest edition of the publication referred to applies (including amendments).

EN 10079:1992, *Definition of steel products*

EN 10088-1, *Stainless steels — Part 1: List of stainless steels*

3 Terms and definitions

For the purposes of this European Standard the terms and definitions given in EN 10079:1992 apply.

iTeh STANDARD PREVIEW

4 Designation

(standards.iteh.ai)

The designation of hot-rolled steel hexagon bars shall comprise:

- the term "hexagon bar",
- the number of this European Standard (EN 10061);
- dimensions in mm (width across flats x length (M, F, or E, see Table 3));
- the number of the quality standard and the steel name or steel number of the ordered steel.

EXAMPLE

Hexagon bar EN 10061 - 16x6000M
steel EN 10025 - S235JR

5 Dimensions

Hot rolled hexagon bars complying with this European Standard shall be produced with the specified dimensions range given in Table 1 and illustrated in Figure 1. The preferred dimensions are presented in Table 1.

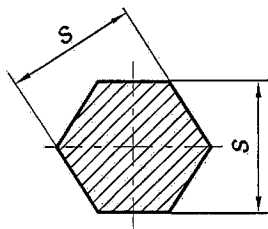


Figure 1 — Hot rolled hexagon bars

Table 1 — Preferred dimensions, mass and dimensional tolerances of hot rolled hexagon bars

Width across flats <i>s</i> (mm)	Limit deviation (mm)	Mass ^{b, c} (kg/m)	Area of cross section (cm ²)	Width across flats <i>s</i> (mm)	Limit deviation ^a (mm)	Mass ^{b, c} (kg/m)	Area of cross section (cm ²)
13	± 0,4	1,15	1,46	37,5	± 0,8	9,56	12,2
14		1,33	1,70	39,5		10,6	13,5
15		1,53	1,95	42,5		12,3	15,6
16	± 0,5	1,74	2,22	47,5	± 1,0	15,3	19,5
17		1,96	2,50	50		18,4	23,4
18		2,20	2,81	57		22,1	28,1
19		2,46	3,13	62		26,1	33,3
20,5		2,86	3,64	67		30,5	38,9
22,5		3,44	4,38	72		35,2	44,9
23,5	± 0,6	3,75	4,78	78	± 1,3	41,4	52,7
25,5		4,42	5,63	83		46,8	59,7
28,5		5,52	7,03	88		52,6	67,1
31,5		6,75	8,59	93		58,8	74,9
33,5	± 0,8	7,63	9,72	98	± 1,5	65,3	83,2
35,5		8,56	10,9	103		72,1	91,9

^a When ordering, the total ranges for the permissible deviations may, by agreement, be entirely on the plus side,

EXAMPLE

$^{+200}_0$ mm (instead of ± 100 mm) in the case of fixed lengths, or

$^{+50}_0$ mm (instead of ± 25 mm) in the case of exact lengths

^b Calculated using density of 7,85 kg/dm³.

^c The masses of stainless steel bars shall be multiplied by the factors according to EN 10088-1.

EN 10061:2003 (E)

6 Tolerances on dimensions and shape

6.1 Width across flats (s)

The deviation from nominal width across flats (s) shall be within the tolerance given in Table 1.

6.2 Length (L)

Depending on the type of length the hexagon bars shall be cut to lengths within tolerances given in Table 3.

6.3 Radius (r)

The radius shall comply with the requirements given in Table 2.

6.4 Straightness (q)

The straightness shall comply with the requirements given in Table 2. The requirements for waviness may be agreed at the time of enquiry and order.

6.5 Twist

The degree of twist may be agreed at time of enquiry and order.

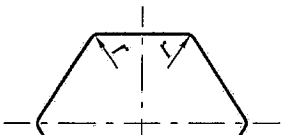
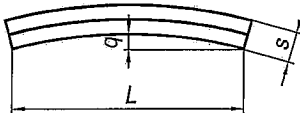
6.6 Out-of-section

The out of section shall be within 75 % of the tolerance band given in Table 1.

Table 2 — Tolerances on radius and straightness of hot rolled hexagon bars

SIST EN 10061:2004
<http://standards.iteh.ai>
 fe08074d0565/sist-en-10061-2004

Dimensions in mm

Radius r	Nominal width across flats	r max.
	$s \leq 20,0$	1,5
	$20,0 < s \leq 28,5$	2,0
	$28,5 < s \leq 48,0$	2,5
	$48,0 < s \leq 83,0$	3,0
	$83,0 < s \leq 103,0$	3,5
Straightness q	Nominal width across flats	q max.
	$s \leq 39,5$	Not fixed
	$39,5 < s \leq 83,0$	$0,0040 \times L$
	$83,0 < s \leq 103,0$	$0,0025 \times L$