

INTERNATIONAL STANDARD

NORME INTERNATIONALE



**Connectors for electronic equipment –
Part 7: Detail specification for 8-way, unshielded, free and fixed connectors**

**Connecteurs pour équipements électroniques –
Partie 7: Spécification particulière pour les fiches et les embases non écrantées
à 8 voies**

STANDARD PREVIEW
(standards.iteh.ai)

IEC 60603-7:2008+AMD1:2011 CSV
<https://standards.iteh.ai/catalog/standards/sist/6c6060317-4c75-4ad5-b52a-3798580bf122/iec-60603-7-2008amd1-2011-csv>



THIS PUBLICATION IS COPYRIGHT PROTECTED

Copyright © 2011 IEC, Geneva, Switzerland

All rights reserved. Unless otherwise specified, no part of this publication may be reproduced or utilized in any form or by any means, electronic or mechanical, including photocopying and microfilm, without permission in writing from either IEC or IEC's member National Committee in the country of the requester.

If you have any questions about IEC copyright or have an enquiry about obtaining additional rights to this publication, please contact the address below or your local IEC member National Committee for further information.

Droits de reproduction réservés. Sauf indication contraire, aucune partie de cette publication ne peut être reproduite ni utilisée sous quelque forme que ce soit et par aucun procédé, électronique ou mécanique, y compris la photocopie et les microfilms, sans l'accord écrit de la CEI ou du Comité national de la CEI du pays du demandeur.

Si vous avez des questions sur le copyright de la CEI ou si vous désirez obtenir des droits supplémentaires sur cette publication, utilisez les coordonnées ci-après ou contactez le Comité national de la CEI de votre pays de résidence.

IEC Central Office
3, rue de Varembe
CH-1211 Geneva 20
Switzerland
Email: inmail@iec.ch
Web: www.iec.ch

About the IEC

The International Electrotechnical Commission (IEC) is the leading global organization that prepares and publishes International Standards for all electrical, electronic and related technologies.

About IEC publications

The technical content of IEC publications is kept under constant review by the IEC. Please make sure that you have the latest edition, a corrigenda or an amendment might have been published.

- Catalogue of IEC publications: www.iec.ch/searchpub

The IEC on-line Catalogue enables you to search by a variety of criteria (reference number, text, technical committee,...). It also gives information on projects, withdrawn and replaced publications.

- IEC Just Published: www.iec.ch/online_news/justpub

Stay up to date on all new IEC publications. Just Published details twice a month all new publications released. Available on-line and also by email.

- Electropedia: www.electropedia.org

The world's leading online dictionary of electronic and electrical terms containing more than 20 000 terms and definitions in English and French, with equivalent terms in additional languages. Also known as the International Electrotechnical Vocabulary online.

- Customer Service Centre: www.iec.ch/webstore/custserv

If you wish to give us your feedback on this publication or need further assistance, please visit the Customer Service Centre FAQ or contact us:

Email: csc@iec.ch
Tel.: +41 22 919 02 11
Fax: +41 22 919 03 00

A propos de la CEI

La Commission Electrotechnique Internationale (CEI) est la première organisation mondiale qui élabore et publie des normes internationales pour tout ce qui a trait à l'électricité, à l'électronique et aux technologies apparentées.

A propos des publications CEI

Le contenu technique des publications de la CEI est constamment revu. Veuillez vous assurer que vous possédez l'édition la plus récente, un corrigendum ou amendement peut avoir été publié.

- Catalogue des publications de la CEI: www.iec.ch/searchpub/cur_fut-f.htm

Le Catalogue en-ligne de la CEI vous permet d'effectuer des recherches en utilisant différents critères (numéro de référence, texte, comité d'études,...). Il donne aussi des informations sur les projets et les publications retirées ou remplacées.

- Just Published CEI: www.iec.ch/online_news/justpub

Restez informé sur les nouvelles publications de la CEI. Just Published détaille deux fois par mois les nouvelles publications parues. Disponible en-ligne et aussi par email.

- Electropedia: www.electropedia.org

Le premier dictionnaire en ligne au monde de termes électroniques et électriques. Il contient plus de 20 000 termes et définitions en anglais et en français, ainsi que les termes équivalents dans les langues additionnelles. Egalement appelé Vocabulaire Electrotechnique International en ligne.

- Service Clients: www.iec.ch/webstore/custserv/custserv_entry-f.htm

Si vous désirez nous donner des commentaires sur cette publication ou si vous avez des questions, visitez le FAQ du Service clients ou contactez-nous:

Email: csc@iec.ch
Tél.: +41 22 919 02 11
Fax: +41 22 919 03 00



IEC 60603-7

Edition 3.1 2011-12

INTERNATIONAL STANDARD

NORME INTERNATIONALE



**Connectors for electronic equipment –
Part 7: Detail specification for 8-way, unshielded, free and fixed connectors**

**Connecteurs pour équipements électroniques –
Partie 7: Spécification particulière pour les fiches et les embases non écrantées
à 8 voies**

INTERNATIONAL
ELECTROTECHNICAL
COMMISSION

COMMISSION
ELECTROTECHNIQUE
INTERNATIONALE

ICS 31.220.01

ISBN 978-2-88912-831-0

CONTENTS

FOREWORD.....	5
INTRODUCTION.....	7
1 General.....	8
1.1 Scope.....	8
1.2 Normative references.....	8
2 Terms and definitions.....	10
3 Common features and typical connector pair.....	11
3.1 View showing typical fixed and free connectors.....	11
3.2 Mating information.....	11
3.2.1 General.....	11
3.2.2 Contacts – mating conditions.....	12
3.2.3 Fixed connector.....	14
3.2.4 Free connector.....	17
4 Cable terminations and internal connections – Fixed and free connectors.....	19
4.1 General.....	19
4.2 Termination types.....	19
4.2.1 Solder terminations (under consideration).....	19
4.2.2 Solderless terminations.....	19
5 Gauges.....	20
5.1 Fixed connectors.....	20
5.2 Free connectors.....	23
6 Characteristics.....	25
6.1 General.....	25
6.2 Pin and pair grouping assignment.....	25
6.3 Classification into climatic category.....	25
6.4 Electrical characteristics.....	26
6.4.1 Creepage and clearance distances.....	26
6.4.2 Voltage proof.....	26
6.4.3 Current-temperature derating.....	26
6.4.4 Initial contact resistance – interface only (separable fixed and free contact).....	27
6.4.5 Input to output d.c. resistance.....	27
6.4.6 Input-to-output d.c. resistance unbalance.....	27
6.4.7 Initial insulation resistance.....	28
6.4.8 Transfer impedance.....	28
6.5 Transmission characteristics.....	28
6.6 Mechanical characteristics.....	28
6.6.1 Mechanical operation.....	28
6.6.2 Effectiveness of connector coupling devices.....	28
6.6.3 Insertion and withdrawal forces.....	28
7 Tests and test schedule.....	28
7.1 General.....	28
7.2 Arrangement for contact resistance test.....	29
7.3 Arrangement for vibration test (test phase CP1).....	30
7.4 Test procedures and measuring methods.....	30

ITeH STANDARD PREVIEW

(standards.iteh.ai)

IEC 60603-7:2008+AMD1:2011 CSV

[https://standards.iteh.ai/catalog/standards/sist/dcb008f7-4c75-4ad5-b52a-](https://standards.iteh.ai/catalog/standards/sist/dcb008f7-4c75-4ad5-b52a-3798580bf122/iec-60603-7-2008amd1-2011-csv)

[3798580bf122/iec-60603-7-2008amd1-2011-csv](https://standards.iteh.ai/catalog/standards/sist/dcb008f7-4c75-4ad5-b52a-3798580bf122/iec-60603-7-2008amd1-2011-csv)

7.5	Preconditioning	31
7.6	Wiring and mounting of specimens	31
7.6.1	Wiring	31
7.6.2	Mounting	31
7.7	Test schedules	31
7.7.1	Basic (minimum) test schedule	31
7.7.2	Full test schedule	31
Annex A (normative) Gauging continuity procedure.....		40
Annex B (normative) Locking-device mechanical operation		44
Annex C (normative) Gauge requirements		45
Annex D (normative) Keystone connector information		46
Bibliography.....		48
Figure 1	– View showing typical fixed and free connectors.....	11
Figure 2	– Contact interface dimensions with terminated free connector	12
Figure 3	– Fixed connector details	15
Figure 4	– Free connector view.....	17
Figure 5	– “Go” gauge.....	20
Figure 6	– “No-go” gauges.....	22
Figure 7	– “No-go” gauges.....	23
Figure 8	– “Go” gauge.....	24
Figure 9	– Fixed connector pin and pair grouping assignment (front view of connector)	25
Figure 10	– Connector de-rating curve.....	27
Figure 11	– Arrangement for contact resistance test	29
Figure 12	– Arrangement for vibration test	30
Figure A.1	– Gauge.....	42
Figure A.2	– Gauge insertion	43
Figure D.1	– Keystone connector	46
Figure D.2	– Panel drawing.....	47
Table 1	– Dimensions for Figure 2	13
Table 2	– Dimensions for Figure 3	16
Table 3	– Dimensions for Figure 4	18
Table 4	– Dimensions for Figures 5 and 6.....	22
Table 5	– Dimensions for Figure 7	23
Table 6	– Dimensions for Figure 8	24
Table 7	– Climatic categories – selected values.....	25
Table 8	– Creepage and clearance distances.....	26
Table 9	– Test group P	32
Table 10	– Test group AP	33
Table 11	– Test group BP	35
Table 12	– Test group CP	36
Table 13	– Test group DP	37

Table 14 – Test group EP	38
Table 15 – Test group FP	39
Table A.1 – Dimensions for Figure A.1	41
Table D.1 – Dimensions for Figure D.1	46
Table D.2 – Dimensions	47

iTeh STANDARD PREVIEW
(standards.iteh.ai)

IEC 60603-7:2008+AMD1:2011 CSV
<https://standards.iteh.ai/catalog/standards/sist/dcb008f7-4c75-4ad5-b52a-3798580bf122/iec-60603-7-2008amd1-2011-csv>

INTERNATIONAL ELECTROTECHNICAL COMMISSION

CONNECTORS FOR ELECTRONIC EQUIPMENT –**Part 7: Detail specification for 8-way, unshielded,
free and fixed connectors**

FOREWORD

- 1) The International Electrotechnical Commission (IEC) is a worldwide organization for standardization comprising all national electrotechnical committees (IEC National Committees). The object of IEC is to promote international co-operation on all questions concerning standardization in the electrical and electronic fields. To this end and in addition to other activities, IEC publishes International Standards, Technical Specifications, Technical Reports, Publicly Available Specifications (PAS) and Guides (hereafter referred to as "IEC Publication(s)"). Their preparation is entrusted to technical committees; any IEC National Committee interested in the subject dealt with may participate in this preparatory work. International, governmental and non-governmental organizations liaising with the IEC also participate in this preparation. IEC collaborates closely with the International Organization for Standardization (ISO) in accordance with conditions determined by agreement between the two organizations.
- 2) The formal decisions or agreements of IEC on technical matters express, as nearly as possible, an international consensus of opinion on the relevant subjects since each technical committee has representation from all interested IEC National Committees.
- 3) IEC Publications have the form of recommendations for international use and are accepted by IEC National Committees in that sense. While all reasonable efforts are made to ensure that the technical content of IEC Publications is accurate, IEC cannot be held responsible for the way in which they are used or for any misinterpretation by any end user.
- 4) In order to promote international uniformity, IEC National Committees undertake to apply IEC Publications transparently to the maximum extent possible in their national and regional publications. Any divergence between any IEC Publication and the corresponding national or regional publication shall be clearly indicated in the latter.
- 5) IEC itself does not provide any attestation of conformity. Independent certification bodies provide conformity assessment services and, in some areas, access to IEC marks of conformity. IEC is not responsible for any services carried out by independent certification bodies.
- 6) All users should ensure that they have the latest edition of this publication.
- 7) No liability shall attach to IEC or its directors, employees, servants or agents including individual experts and members of its technical committees and IEC National Committees for any personal injury, property damage or other damage of any nature whatsoever, whether direct or indirect, or for costs (including legal fees) and expenses arising out of the publication, use of, or reliance upon, this IEC Publication or any other IEC Publications.
- 8) Attention is drawn to the Normative references cited in this publication. Use of the referenced publications is indispensable for the correct application of this publication.
- 9) Attention is drawn to the possibility that some of the elements of this IEC Publication may be the subject of patent rights. IEC shall not be held responsible for identifying any or all such patent rights.

This consolidated version of IEC 60603-7 consists of the third edition (2008) [documents 48B/1883A/FDIS and 48B/1917/RVD] and its amendment 1 (2011) [documents 48B/2145/CDV and 48B/2205/RVC]. It bears the edition number 3.1.

The technical content is therefore identical to the base edition and its amendment and has been prepared for user convenience. A vertical line in the margin shows where the base publication has been modified by amendment 1. Additions and deletions are displayed in red, with deletions being struck through.

International Standard IEC 60603-7 has been prepared by subcommittee 48B: Connectors, of IEC technical committee 48: Electromechanical components and mechanical structures for electronic equipment.

This third edition cancels and replaces the second edition published in 1996 and constitutes a technical revision. This edition includes the following significant technical change with respect to the previous edition:

- Drawings and test schedules were updated based on the work done developing IEC 60603-7-4.
- A corrected figure (Figure 10) illustrating a connector de-rating curve has been prepared and inserted in the text.
- Annex D contains the dimensions that define the panel mounting features on the connector and panel that were referenced as the Type A, variant 03 connector in the previous edition.

This publication has been drafted in accordance with the ISO/IEC Directives, Part 2.

A list of all parts of IEC 60603-7 series, under the general title: *Connectors for electronic equipment*, can be found on the IEC website.

The committee has decided that the contents of the base publication and its amendments will remain unchanged until the stability date indicated on the IEC web site under "<http://webstore.iec.ch>" in the data related to the specific publication. At this date, the publication will be

- reconfirmed,
- withdrawn,
- replaced by a revised edition, or
- amended.

ITEH STANDARD PREVIEW
(standards.iteh.ai)

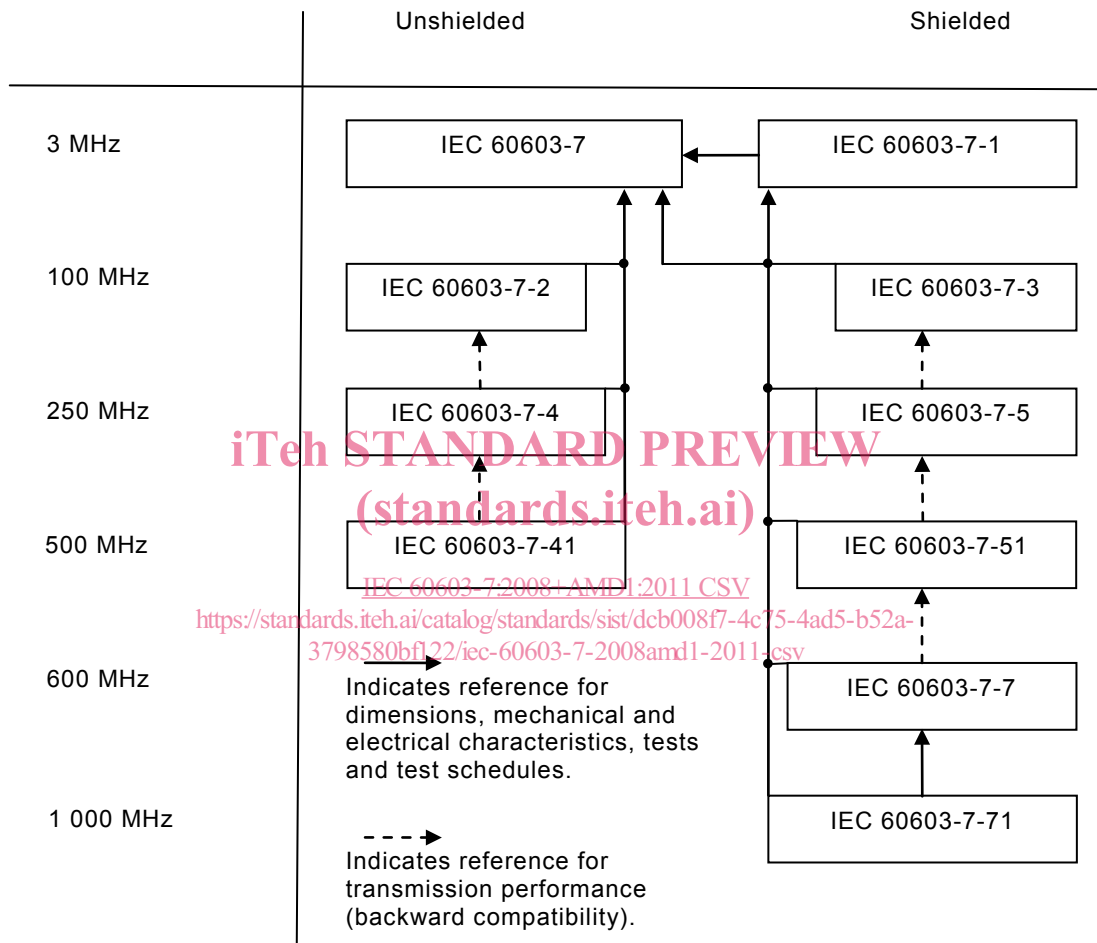
[IEC 60603-7:2008+AMD1:2011 CSV](#)

[http://webstore.iec.ch/catalog/standards/sist/dcb008f7-4c75-4ad5-b52a-3798580b122/iec-60603-7-2008amd1-2011-csv](#)

IMPORTANT – The “colour inside” logo on the cover page of this publication indicates that it contains colours which are considered to be useful for the correct understanding of its contents. Users should therefore print this publication using a colour printer.

INTRODUCTION

IEC 60603-7 is the base specification of the whole series. Subsequent specifications do not duplicate information given in the base document, but list only additional requirements. For complete specification regarding a component of a higher number document all lower numbered documents must be considered as well. The following diagram shows the interrelation of the documents:



It should be noted that during the preparation of the third edition of IEC 60603-7, the subcommittee 48B Cat 6&7 project team members determined the current de-rating curve in the standard was not correct. Several experts researched the current rating-temperature rise measurements for 60603-7 style connectors and verified that the de-rating curve in the published standard has been incorrect for many years. A corrected figure (Figure 10) has been prepared and inserted in this edition.

CONNECTORS FOR ELECTRONIC EQUIPMENT –

Part 7: Detail specification for 8-way, unshielded, free and fixed connectors

1 General

1.1 Scope

This part of IEC 60603-7 covers 8-way unshielded free and fixed connectors, it is intended to specify the common dimensions, mechanical, electrical and environmental characteristics and tests for the family of IEC 60603-7-x connectors.

These connectors are intermateable (according to IEC 61076-1 level 2) and interoperable with other IEC 60603-7 series connectors.

1.2 Normative references

The following referenced documents are indispensable for the application of this document. For dated references, only the edition cited applies. For undated references, the latest edition of the referenced document (including any amendments) applies.

IEC 60050-581, *International Electrotechnical Vocabulary (IEV) – Chapter 581: Electromechanical components for electronic equipment*

IEC 60068-1, *Environmental testing – Part 1: General and guidance*

IEC 60068-2-14, *Basic environmental testing procedures – Part 2-14: Tests – Test N: Change of temperature*

IEC 60068-2-38, *Basic environmental testing procedures – Part 2-38: Tests – Test Z/AD: Composite temperature/ humidity cyclic test*

IEC 60352-2, *Solderless connections – Part 2: Crimped connections – General requirements, test methods and practical guidance*

IEC 60352-3, *Solderless connections – Part 3: Solderless accessible insulation displacement connections – General requirements, test methods and practical guidance*

IEC 60352-4, *Solderless connections – Part 4: Solderless non-accessible insulation displacement connections – General requirements, test methods and practical guidance*

IEC 60352-5, *Solderless connections – Part 5: Press-in connections – General requirements, test methods and practical guidance*

IEC 60352-6, *Solderless connections – Part 6: Insulation piercing connections – General requirements, test methods and practical guidance*

IEC 60352-7, *Solderless connections – Part 7: Spring clamp connections – General requirements, test methods and practical guidance*

IEC 60512 (all parts), *Connectors for electronic equipment – Tests and measurements*

IEC 60512-1-100, *Connectors for electronic equipment – Tests and measurements – Part 1-100: General – Applicable publications*

IEC 60603-7 (all parts), *Connectors for electronic equipment*

IEC 60664-1, *Insulation coordination for equipment within low-voltage systems – Part 1: Principles, requirements and tests*

IEC 61076-1:2006, *Connectors for electronic equipment – Product Requirements – Part 1: Generic specification*

IEC 61156 (all parts), *Multicore and symmetrical pair/quad cables for digital communications*

IEC 61156-1, *Multicore and symmetrical pair/quad cables for digital communications – Part 1: Generic specification*

IEC 61156-2, *Multicore and symmetrical pair/quad cables for digital communications – Part 2: Horizontal floor wiring – Sectional specification*

IEC 61156-3, *Multicore and symmetrical pair/quad cables for digital communications – Part 3: Work area wiring – Sectional specification*

IEC 61156-4, *Multicore and symmetrical pair/quad cables for digital communications – Part 4: Riser cables – Sectional specification*

IEC 61156-5, *Multicore and symmetrical pair/quad cables for digital communications – Part 5: Symmetrical pair/quad cables with transmission characteristics up to 600 MHz – Horizontal floor wiring – Sectional specification*

IEC 61156-6, *Multicore and symmetrical pair/quad cables for digital communications – Part 6: Symmetrical pair/quad cables with transmission characteristics up to 1 000 MHz – Work area wiring – Sectional specification*

IEC 61156-7, *Multicore and symmetrical pair/quad cables for digital communications – Part 7: Symmetrical pair cables with transmission characteristics up to 1 200 MHz – Sectional specification for digital and analog communication cables*

ISO/IEC 11801, *Information technology – Generic cabling for customer premises*

ISO 1302, *Geometrical Product Specifications (GPS) – Indication of surface texture in technical product documentation*

ITU-T Recommendation K.20:2000 ¹, *Resistibility of telecommunication equipment installed in a telecommunications centre to overvoltages and overcurrents*

ITU-T Recommendation K.44:2000 ², *Resistibility tests for telecommunication equipment exposed to overvoltages and overcurrents – Basic Recommendation*

¹ This document has been replaced by a new edition (2003), but for the purposes of this standard, the 2000 edition is cited.

² This document has been replaced by a new edition (2003), but for the purposes of this standard, the 2000 edition is cited.

2 Terms and definitions

For the purposes of this document, the terms and definitions given in IEC 60050-581, IEC 61076-1, IEC 60512-1, and the following apply.

2.1

intermateability

intermateability (level 2 of IEC 61076-1:2006 (Ed 2.0)) is ensured by application of the “Go” and “No-Go” gauge requirements in the standards that may be referenced, and adherence to the dimensional requirements within

2.2

interoperability

interoperability of different IEC 60603-7 connectors is assured by compliance with the specified interface dimensions

2.3

category

relevant level of transmission performance as given in ISO/IEC 11801

2.4

Keystone connector

a Keystone connector is defined by its mounting features. The dimensional requirements for the connector and its corresponding mounting panel are defined in Annex D

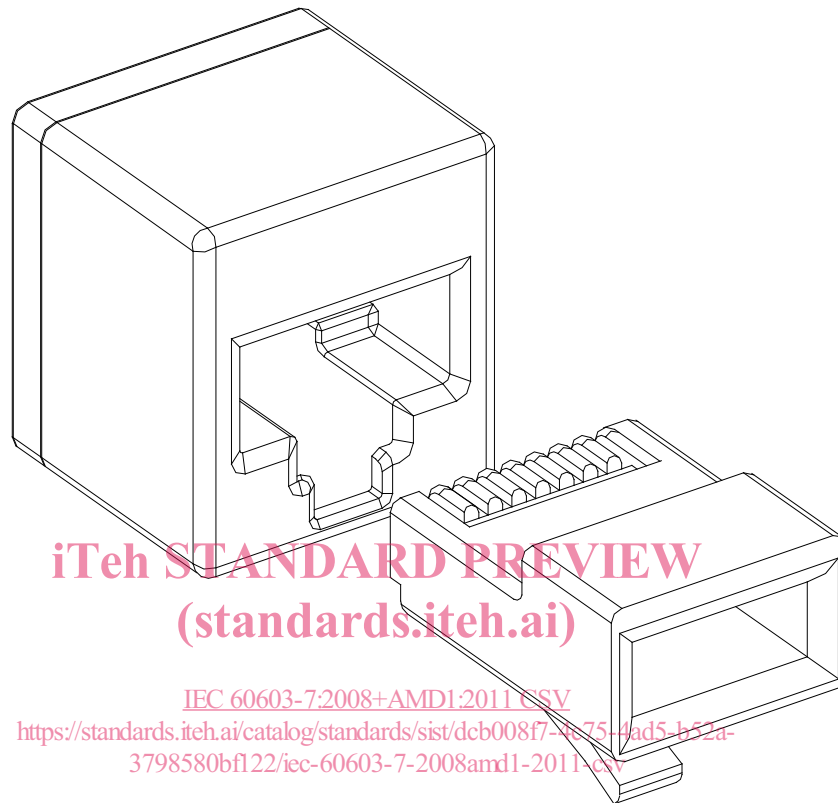
iteh STANDARD PREVIEW
(standards.iteh.ai)

[IEC 60603-7:2008+AMD1:2011 CSV](https://standards.iteh.ai/catalog/standards/sist/dcb008f7-4c75-4ad5-b52a-3798580bf122/iec-60603-7-2008amd1-2011-csv)

<https://standards.iteh.ai/catalog/standards/sist/dcb008f7-4c75-4ad5-b52a-3798580bf122/iec-60603-7-2008amd1-2011-csv>

3 Common features and typical connector pair

3.1 View showing typical fixed and free connectors



IEC 086/05

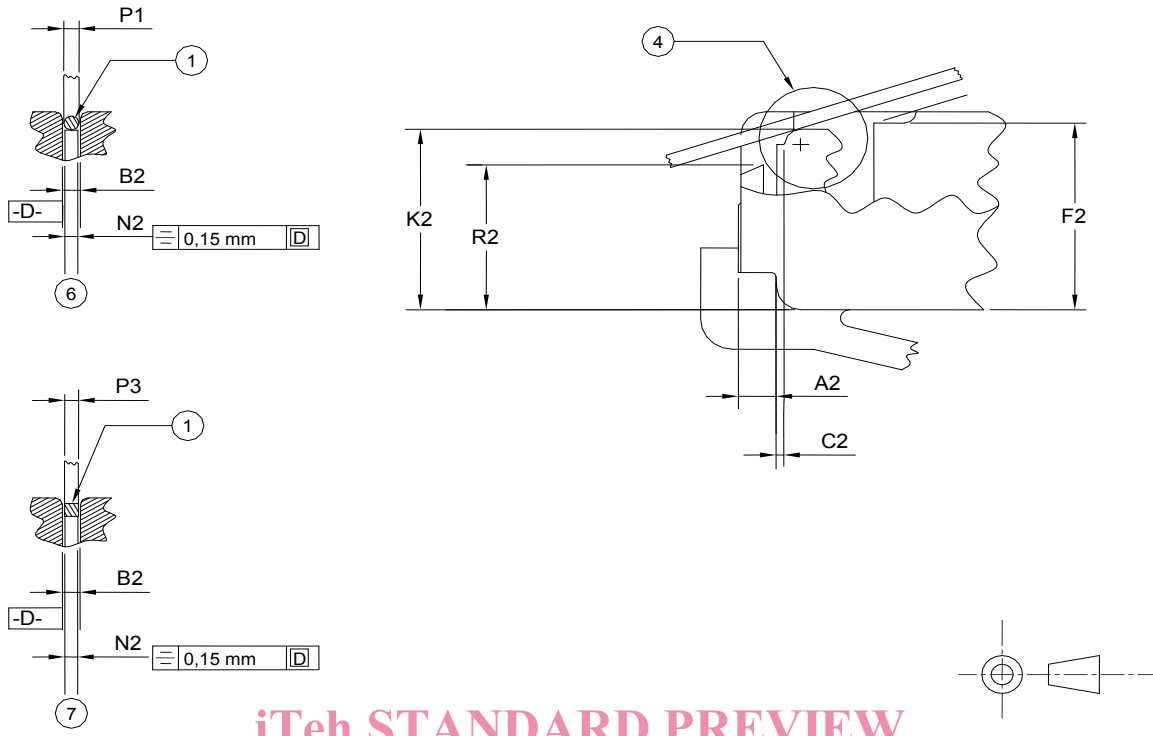
Figure 1 – View showing typical fixed and free connectors

3.2 Mating information

3.2.1 General

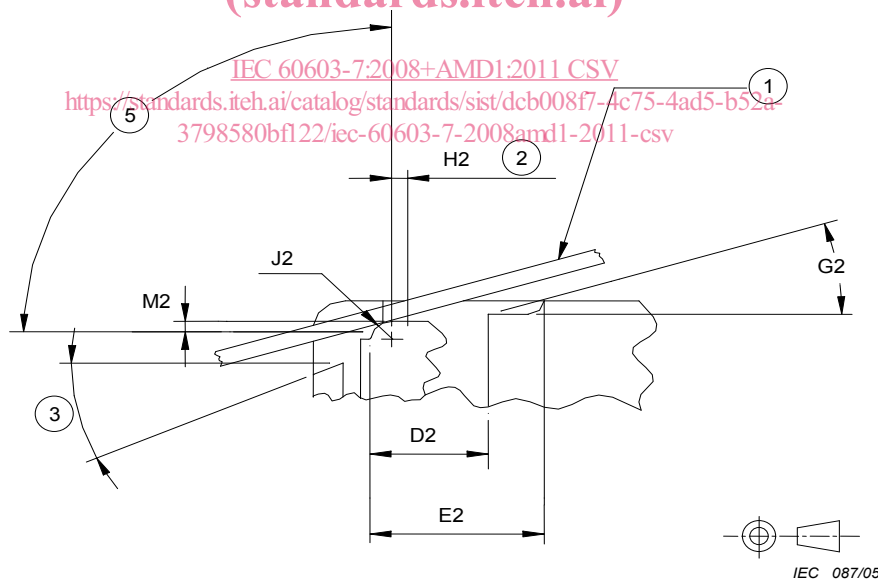
Dimensions are given in millimetres. Drawings are shown in third-angle projection. The shape of connectors may deviate from those given in Figures 1 to 4 as long as the dimensions specified are not changed.

3.2.2 Contacts – mating conditions



iTeh STANDARD PREVIEW
(standards.iteh.ai)

IEC 1011/08



IEC 087/05

Key

- 1 Female contact of fixed connector The mating information shown can only be achieved with a free connector with a cable attached.
- 2 Burrs shall not project above the top of the contact in this area, since it may be a contact area.
- 3 Optional angle.
- 4 Preferred contact interface detail.
- 5 Minimum preferred contact configuration.
- 6 Configuration with round contact profile.
- 7 Configuration with rectangular contact profile.

Figure 2 – Contact interface dimensions with terminated free connector

Table 1 – Dimensions for Figure 2

Letter	Maximum mm	Minimum mm
A2	1,45	0,89
B2	0,61	0,51
C2	0,46	0,03
D2		2,79
E2		4,11
F2	6,22	
H2		0,38
J2	0,64	0,38
K2	6,15	5,89
M2		0,30
N2		0,28
P1	0,50	0,45
P3	0,50	0,36
R2	4,83	

Letter	Maximum
G2	10°
Care shall be taken that the fixed connector contacts avoid interference with the plastic of the free connector.	

IEC 60603-7:2008+AMD1:2011 CSV
<https://standards.iteh.ai/catalog/standards/sist/dcb008f7-4c75-4ad5-b52a-3798580bfl22/iec-60603-7-2008amd1-2011-csv>