
**Photography — Roll film cameras — Back
window location**

*Photographie — Appareils photographiques à pellicules — Emplacement du
voyant de déroulement*

**iTeh STANDARD PREVIEW
(standards.iteh.ai)**

[ISO 1203:1998](https://standards.iteh.ai/catalog/standards/sist/5964cbb5-2f7f-4a4b-9734-65a7e09850b5/iso-1203-1998)

[https://standards.iteh.ai/catalog/standards/sist/5964cbb5-2f7f-4a4b-9734-
65a7e09850b5/iso-1203-1998](https://standards.iteh.ai/catalog/standards/sist/5964cbb5-2f7f-4a4b-9734-65a7e09850b5/iso-1203-1998)



Foreword

ISO (the International Organization for Standardization) is a worldwide federation of national standards bodies (ISO member bodies). The work of preparing International Standards is normally carried out through ISO technical committees. Each member body interested in a subject for which a technical committee has been established has the right to be represented on that committee. International organizations, governmental and non-governmental, in liaison with ISO, also take part in the work. ISO collaborates closely with the International Electrotechnical Commission (IEC) on all matters of electrotechnical standardization.

Draft International Standards adopted by the technical committees are circulated to the member bodies for voting. Publication as an International Standard requires approval by at least 75 % of the member bodies casting a vote.

International Standard ISO 1203 was prepared by Technical Committee ISO/TC 42, *Photography*.

This fourth edition cancels and replaces the third edition (ISO 1203:1984), of which it constitutes a technical revision. The picture sizes in the third edition have been transferred to ISO 1754:1998.

© ISO 1998

All rights reserved. Unless otherwise specified, no part of this publication may be reproduced or utilized in any form or by any means, electronic or mechanical, including photocopying and microfilm, without permission in writing from the publisher.

International Organization for Standardization
Case postale 56 • CH-1211 Genève 20 • Switzerland
Internet iso@iso.ch

Printed in Switzerland

Photography — Roll film cameras — Back window location

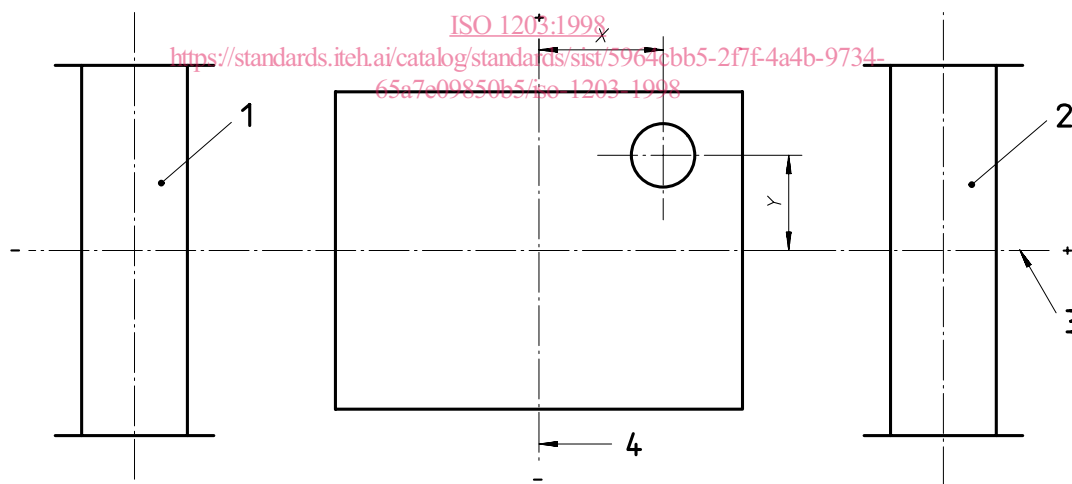
1 Scope

This International Standard specifies the location of back windows of roll film cameras in relation to the number of exposures and film sizes they are designed to accommodate.

2 Back window location

The locating dimensions shown in figure 1 are given in table 1.

iTeh STANDARD PREVIEW
(standards.iteh.ai)



Key

- 1 Take-up spool
- 2 Supply spool
- 3 Centre line of spool
- 4 Centre line of aperture

Figure 1 — Location of back window

Table 1 — Locating dimensions for back window

Dimensions in millimetres

Trade designation of nominal negative size	Exposure per roll film size	X	Y
4,5 × 6	16 – 120	0	+ 18,0
6 × 6	12 – 120	0	0
6 × 9	8 – 120	+ 35,5	– 19,5
The tolerance for dimensions X and Y are $\pm 1,6$ mm. The diameter of the back window is 9,0 mm minimum.			

iTeh STANDARD PREVIEW
(standards.iteh.ai)

ISO 1203:1998

<https://standards.iteh.ai/catalog/standards/sist/5964cbb5-2f7f-4a4b-9734-65a7e09850b5/iso-1203-1998>

iTeh STANDARD PREVIEW
(standards.iteh.ai)

ISO 1203:1998

<https://standards.iteh.ai/catalog/standards/sist/5964cbb5-2f7f-4a4b-9734-65a7e09850b5/iso-1203-1998>

iTeh STANDARD PREVIEW
(standards.iteh.ai)

ISO 1203:1998

<https://standards.iteh.ai/catalog/standards/sist/5964cbb5-2f7f-4a4b-9734-65a7e09850b5/iso-1203-1998>

ICS 37.040.10

Descriptors: photography, photographic equipment, cameras, roll films, windings, inspection devices, position (location), dimensions.

Price based on 2 pages
